

REVISIONS

LTR	DESCRIPTION	DATE (YR-MO-DA)	APPROVED
A	Added provisions for the inclusion of radiation-hardened devices. Updated boilerplate. Added case outline "Z" to drawing. Added device type 09 to drawing. - glg	00-01-21	Raymond Monnin

REV																				
SHEET																				
REV	A	A	A	A	A	A	A	A	A	A	A	A	A	A	A	A	A	A	A	A
SHEET	15	16	17	18	19	20	21	22	23	24	25	26	27	28	29	30	31	32	33	34

REV STATUS OF SHEETS	REV	A	A	A	A	A	A	A	A	A	A	A	A	A	A	A	A	A	A	A
	SHEET	1	2	3	4	5	6	7	8	9	10	11	12	13	14					

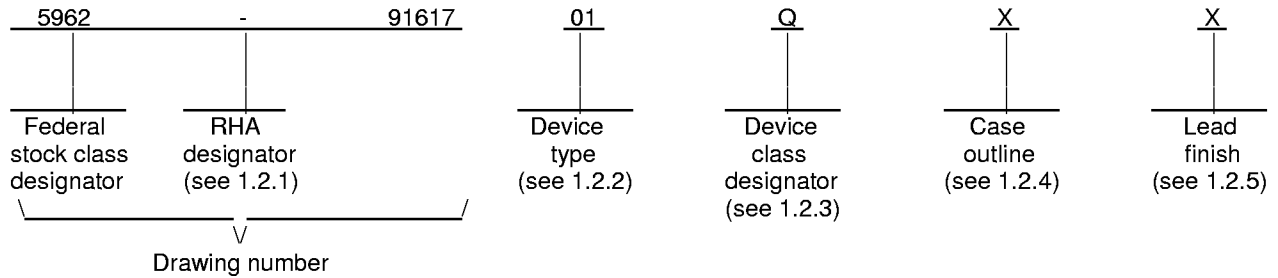
PMIC N/A	PREPARED BY Jeff Bowling	DEFENSE SUPPLY CENTER COLUMBUS COLUMBUS, OHIO 43216-5000																	
<p><b>STANDARD MICROCIRCUIT DRAWING</b></p> <p>THIS DRAWING IS AVAILABLE FOR USE BY ALL DEPARTMENTS AND AGENCIES OF THE DEPARTMENT OF DEFENSE</p> <p>AMSC N/A</p>	CHECKED BY Jeff Bowling	MICROCIRCUIT, MEMORY, DIGITAL, CMOS, 8K X 16 DUAL PORT STATIC RANDOM ACCESS MEMORY (SRAM), MONOLITHIC SILICON																	
	APPROVED BY Michael A. Frye																		
	DRAWING APPROVAL DATE 93-04-07	SIZE <b>A</b>	CAGE CODE <b>67268</b>	<b>5962-91617</b>															
	REVISION LEVEL A	SHEET 1 OF 34																	

1. SCOPE

查询"5962-016170MXXA"供应商

Scope of this drawing documents two product assurance class levels consisting of high reliability (device classes Q and M) and space application (device class V). A choice of case outlines and lead finishes are available and are reflected in the Part or Identifying Number (PIN). When available, a choice of Radiation Hardness Assurance (RHA) levels are reflected in the PIN

1.2 PIN. The PIN shall be as shown in the following example:



1.2.1 RHA designator. Device classes Q and V RHA marked devices meet the MIL-PRF-38535 specified RHA levels and are marked with the appropriate RHA designator. Device class M RHA marked devices meet the MIL-PRF-38535, appendix A specified RHA levels and are marked with the appropriate RHA designator. A dash (-) indicates a non-RHA device.

1.2.2 Device type(s). The device type(s) shall identify the circuit function as follows:

Device type	Generic number	Circuit function	Data retention	Access time
01	7025	128K (8K x 16-bit) Dual port SRAM	No	70 ns
02	7025	128K (8K x 16-bit) Dual port SRAM	Yes	70 ns
03	7025	128K (8K x 16-bit) Dual port SRAM	No	55 ns
04	7025	128K (8K x 16-bit) Dual port SRAM	Yes	55 ns
05	7025	128K (8K x 16-bit) Dual port SRAM	No	45 ns
06	7025	128K (8K x 16-bit) Dual port SRAM	Yes	45 ns
07	7025	128K (8K x 16-bit) Dual port SRAM	No	35 ns
08	7025	128K (8K x 16-bit) Dual port SRAM	Yes	35 ns
09	7025	128K (8K x 16-bit) Dual port SRAM	Yes	30 ns

1.2.3 Device class designator. The device class designator is a single letter identifying the product assurance level as follows:

Device class	Device requirements documentation
M	Vendor self-certification to the requirements for MIL-STD-883 compliant, non-JAN class level B microcircuits in accordance with MIL-PRF-38535, appendix A
Q or V	Certification and qualification to MIL-PRF-38535

1.2.4 Case outline(s). The case outline(s) shall be as designated in MIL-STD-1835 and as follows:

Outline letter	Descriptive designator	Terminals	Package style
X	CMGA15-PN	84	Pin grid array
Y	See figure 1	84	Flat pack
Z	See figure 1	84	Flat pack

1.2.5 Lead finish. The lead finish is as specified in MIL-PRF-38535 for device classes Q and V or MIL-PRF-38535, appendix A for device class M.

<b>STANDARD MICROCIRCUIT DRAWING DEFENSE SUPPLY CENTER COLUMBUS COLUMBUS, OHIO 43216-5000</b>	<b>SIZE A</b>		<b>5962-91617</b>
		<b>REVISION LEVEL A</b>	<b>SHEET 2</b>

1.3 Absolute maximum ratings. 1/ 2/

Supply voltage range ( $V_{CC}$ )	-0.5 V dc to +7.0 V dc
Storage temperature range	-65° C to +150° C
DC output current	50 mA
Maximum power dissipation ( $P_D$ )	2.2 W
Lead temperature (soldering, 10 seconds)	+260° C
Thermal resistance, junction-to-case ( $\Theta_{JC}$ ): Case X - Case Y and Z	See MIL-STD-1835
Maximum junction temperature ( $T_J$ )	20° C/W
DC input and output voltage range	+150° C 3/
Output voltage applied in high Z state	-0.5 V dc to $V_{CC} + 0.5$ V dc 4/
	-0.5 V dc to $V_{CC} + 0.5$ V dc

1.4 Recommended operating conditions.

Supply voltage range ( $V_{CC}$ )	4.5 V dc minimum to 5.5 V dc maximum
High level input voltage range ( $V_{IH}$ )	2.2 V dc to 6.0 V dc
Low level input voltage range ( $V_{IL}$ )	-0.5 V dc to +0.8 V dc
Case operating temperature range ( $T_C$ )	-55° C to +125° C

1.5 Digital logic testing for device classes Q or V.

Fault coverage measurement of manufacturing logic tests (MIL-STD-883, test method 5012)	5/ percent
---	------------

2. APPLICABLE DOCUMENTS

2.1 Government specification, standards, and handbooks. The following specification, standards, and handbooks form a part of this drawing to the extent specified herein. Unless otherwise specified, the issues of these documents are those listed in the issue of the Department of Defense Index of Specifications and Standards (DoDISS) and supplement thereto, cited in the solicitation.

SPECIFICATION

DEPARTMENT OF DEFENSE

MIL-PRF-38535 - Integrated Circuits, Manufacturing, General Specification for.

STANDARDS

DEPARTMENT OF DEFENSE

- MIL-STD-883 - Test Method Standard Microcircuits.
- MIL-STD-973 - Configuration Management.
- MIL-STD-1835 - Interface Standard for Microcircuit Case Outlines.

- 1/ Stresses above the absolute maximum rating may cause permanent damage to the device. Extended operation at the maximum levels may degrade performance and affect reliability.
- 2/ All voltages referenced to GND unless otherwise specified.
- 3/ Maximum junction temperature shall not be exceeded except for allowable short duration burn-in screening conditions in accordance with method 5004 of MIL-STD-883.
- 4/ Negative undershoots to a minimum of -3.0 V are allowed with a maximum of 20 ns pulse width.
- 5/ Values will be added as they become available.

<b>STANDARD MICROCIRCUIT DRAWING DEFENSE SUPPLY CENTER COLUMBUS COLUMBUS, OHIO 43216-5000</b>	<b>SIZE A</b>		<b>5962-91617</b>
		REVISION LEVEL A	SHEET 3

HANDBOOKS

[DEPARTMENT OF DEFENSE 5962-91617-017X A 供应商](#)

- MIL-HDBK-103 - List of Standard Microcircuit Drawings (SMD's)
- MIL-HDBK-780 - Standard Microcircuit Drawings

2.2 Non-Government publications. The following document(s) form a part of this document to the extent specified herein. Unless otherwise specified, the issues of the documents which are DoD adopted are those listed in the issue of the DODISS cited in the solicitation. Unless otherwise specified, the issues of documents not listed in the DODISS are the issues of the documents cited in the solicitation.

AMERICAN SOCIETY FOR TESTING AND MATERIALS (ASTM)

- ASTM Standard F1192M-95 - Standard Guide for the Measurement of Single Event Phenomena from Heavy Ion Irradiation of Semiconductor Devices.

(Applications for copies of ASTM publications should be addressed to the American Society for Testing and Materials, 1916 Race Street, Philadelphia, PA 19103).

ELECTRONICS INDUSTRIES ASSOCIATION (EIA)

- JEDEC Standard EIA/JESD78 - IC Latch-Up Test.

(Applications for copies should be addressed to the Electronics Industries Association, 2500 Wilson Boulevard, Arlington, VA 22201.)

(Non-Government standards and other publications are normally available from the organizations that prepare or distribute the documents. These documents also may be available in or through libraries or other informational services.)

2.3 Order of precedence. In the event of a conflict between the text of this drawing and the references cited herein, the text of this drawing shall take precedence. Nothing in this document, however, supersedes applicable laws and regulations unless a specific exemption has been obtained.

3. REQUIREMENTS

3.1 Item requirements. The individual item requirements for device classes Q and V shall be in accordance with MIL-PRF-38535 and as specified herein or as modified in the device manufacturer's Quality Management (QM) plan. The modification in the QM plan shall not affect the form, fit, or function as described herein. The individual item requirements for device class M shall be in accordance with MIL-PRF-38535, appendix A for non-JAN class level B devices and as specified herein.

3.2 Design, construction, and physical dimensions. The design, construction, and physical dimensions shall be as specified in MIL-PRF-38535 and herein for device classes Q and V or MIL-PRF-38535, appendix A and herein for device class M.

3.2.1 Case outline(s). The case outline(s) shall be in accordance with 1.2.4 herein and figure 1.

3.2.2 Terminal connections. The terminal connections shall be as specified on figure 2.

3.2.3 Truth table(s). The truth table(s) shall be as specified on figure 3.

3.2.4 Functional tests. Various functional tests used to test this device are contained in the appendix. If the test patterns cannot be implemented due to test equipment limitations, alternate test patterns to accomplish the same results shall be allowed. For device class M, alternate test patterns shall be maintained under document revision level control by the manufacturer and shall be made available to the preparing or acquiring activity upon request. For device classes Q and V alternate test patterns shall be under the control of the device manufacturer's Technology Review Board (TRB) in accordance with MIL-PRF-38535 and shall be made available to the preparing or acquiring activity upon request.

<b>STANDARD MICROCIRCUIT DRAWING DEFENSE SUPPLY CENTER COLUMBUS COLUMBUS, OHIO 43216-5000</b>	<b>SIZE A</b>		<b>5962-91617</b>
		<b>REVISION LEVEL A</b>	<b>SHEET 4</b>

3.2.5 Die overcoat. Polyimide and silicone coatings are allowable as an overcoat on the die for alpha particle protection only. Each coated microcircuit inspection lot (see inspection lot as defined in MIL-PRF-38535) shall be subjected to and pass the internal moisture test (see 5004 of MIL-STD-883) (see method 1018 of MIL-STD-883). The frequency of the internal water vapor testing shall not be decreased unless approved by the preparing activity for class M. The TRB will ascertain the requirements as provided by MIL-PRF-38535 for classes Q and V. Samples may be pulled any time after seal.

3.3 Electrical performance characteristics and postirradiation parameter limits. Unless otherwise specified herein, the electrical performance characteristics and postirradiation parameter limits are as specified in table I and shall apply over the full case operating temperature range.

3.4 Electrical test requirements. The electrical test requirements shall be the subgroups specified in table IIA. The electrical tests for each subgroup are defined in table I.

3.5 Marking. The part shall be marked with the PIN listed in 1.2 herein. In addition, the manufacturer's PIN may also be marked as listed in MIL-HDBK-103. For packages where marking of the entire SMD PIN number is not feasible due to space limitations, the manufacturer has the option of not marking the "5962-" on the device. For RHA product using this option, the RHA designator shall still be marked. Marking for device classes Q and V shall be in accordance with MIL-PRF-38535. Marking for device class M shall be in accordance with MIL-PRF-38535, appendix A.

3.5.1 Certification/compliance mark. The certification mark for device classes Q and V shall be a "QML" or "Q" as required in MIL-PRF-38535. The compliance mark for device class M shall be a "C" as required in MIL-PRF-38535, appendix A.

3.6 Certificate of compliance. For device classes Q and V, a certificate of compliance shall be required from a QML-38535 listed manufacturer in order to supply to the requirements of this drawing (see 6.6.1 herein). For device class M, a certificate of compliance shall be required from a manufacturer in order to be listed as an approved source of supply in MIL-HDBK-103 (see 6.6.2 herein). The certificate of compliance submitted to DSCC-VA prior to listing as an approved source of supply for this drawing shall affirm that the manufacturer's product meets, for device classes Q and V, the requirements of MIL-PRF-38535 and herein or for device class M, the requirements of MIL-PRF-38535, appendix A and herein.

3.7 Certificate of conformance. A certificate of conformance as required for device classes Q and V in MIL-PRF-38535 or for device class M in MIL-PRF-38535, appendix A shall be provided with each lot of microcircuits delivered to this drawing.

3.8 Notification of change for device class M. For device class M, notification to DSCC-VA of change of product (see 6.2 herein) involving devices acquired to this drawing is required for any change as defined in MIL-STD-973.

3.9 Verification and review for device class M. For device class M, DSCC, DSCC's agent, and the acquiring activity retain the option to review the manufacturer's facility and applicable required documentation. Offshore documentation shall be made available onshore at the option of the reviewer.

3.10 Microcircuit group assignment for device class M. Device class M devices covered by this drawing shall be in microcircuit group number 41 (see MIL-PRF-38535, appendix A)

4. QUALITY ASSURANCE PROVISIONS

4.1 Sampling and inspection. For device classes Q and V, sampling and inspection procedures shall be in accordance with MIL-PRF-38535 or as modified in the device manufacturer's Quality Management (QM) plan. The modification in the QM plan shall not affect the form, fit, or function as described herein. For device class M, sampling and inspection procedures shall be in accordance with MIL-PRF-38535, appendix A.

4.2 Screening. For device classes Q and V, screening shall be in accordance with MIL-PRF-38535, and shall be conducted on all devices prior to qualification and technology conformance inspection. For device class M, screening shall be in accordance with method 5004 of MIL-STD-883, and shall be conducted on all devices prior to quality conformance inspection.

<b>STANDARD MICROCIRCUIT DRAWING DEFENSE SUPPLY CENTER COLUMBUS COLUMBUS, OHIO 43216-5000</b>	<b>SIZE A</b>		<b>5962-91617</b>
		<b>REVISION LEVEL A</b>	<b>SHEET 5</b>

4.2.1 Additional criteria for device class M.

- a. ~~Delete the procedure specified as initial (preburn-in) electrical parameters through interim (postburn-in) electrical parameters of method 5004 and substitute lines 1 through 6 of table IIA herein.~~
- b. The test circuit shall be maintained by the manufacturer under document revision level control and shall be made available to the preparing or acquiring activity upon request. The test circuit shall specify the inputs, outputs, biases, and power dissipation, as applicable, in accordance with the intent specified in test method 1015.
- (1) Dynamic burn-in (method 1015 of MIL-STD-883, test condition D; for circuit, see 4.2.1b herein).
- c. Interim and final electrical parameters shall be as specified in table IIA herein.

4.2.2 Additional criteria for device classes Q and V.

- a. The burn-in test duration, test condition and test temperature, or approved alternatives shall be as specified in the device manufacturer's QM plan in accordance with MIL-PRF-38535. The burn-in test circuit shall be maintained under document revision level control of the device manufacturer's Technology Review Board (TRB) in accordance with MIL-PRF-38535 and shall be made available to the acquiring or preparing activity upon request. The test circuit shall specify the inputs, outputs, biases, and power dissipation, as applicable, in accordance with the intent specified in test method 1015 of MIL-STD-883.
- b. Interim and final electrical test parameters shall be as specified in table IIA herein.
- c. Additional screening for device class V beyond the requirements of device class Q shall be as specified in MIL-PRF-38535, appendix B.

4.3 Qualification inspection for device classes Q and V. Qualification inspection for device classes Q and V shall be in accordance with MIL-PRF-38535. Inspections to be performed shall be those specified in MIL-PRF-38535 and herein for groups A, B, C, D, and E inspections (see 4.4.1 through 4.4.4).

4.4 Conformance inspection. Technology conformance inspection for classes Q and V shall be in accordance with MIL-PRF-38535 including groups A, B, C, D, and E inspections and as specified herein except where option 2 of MIL-PRF-38535 permits alternate in-line control testing. Quality conformance inspection for device class M shall be in accordance with MIL-PRF-38535, appendix A and as specified herein. Inspections to be performed for device class M shall be those specified in method 5005 of MIL-STD-883 and herein for groups A, B, C, D, and E inspections (see 4.4.1 through 4.4.4).

<b>STANDARD MICROCIRCUIT DRAWING DEFENSE SUPPLY CENTER COLUMBUS COLUMBUS, OHIO 43216-5000</b>	<b>SIZE A</b>		<b>5962-91617</b>
		<b>REVISION LEVEL A</b>	<b>SHEET 6</b>

TABLE I. Electrical performance characteristics.

Test Symbol	Conditions -55°C ≤ T <sub>C</sub> ≤ +125°C 4.5 V ≤ V <sub>CC</sub> ≤ 5.5 V unless otherwise specified	Group A subgroups	Device type	Limits		Unit
				Min	Max	
Output low voltage	V <sub>OL</sub> V <sub>CC</sub> = 4.5 V, I <sub>OL</sub> = 4 mA, V <sub>IH</sub> = 2.2 V, V <sub>IL</sub> = 0.8 V	1, 2, 3	All		0.4	V
		M,D,P	1 1/		2/	
Output high voltage	V <sub>OH</sub> V <sub>CC</sub> = 4.5 V, I <sub>OH</sub> = -4mA, V <sub>IH</sub> = 2.2 V, V <sub>IL</sub> = 0.8 V	1, 2, 3	All	2.4		V
		M,D,P	1 1/	2/		
Input leakage current	I <sub>LI</sub> V <sub>CC</sub> = 5.5 V, V <sub>IN</sub> = GND to V <sub>CC</sub>	1, 2, 3	02,04, 06,08,09		5	μA
			01,03,05,07		10	
		M,D,P	1 1/		2/	
Output leakage current	I <sub>LO</sub> V <sub>CC</sub> = 5.5 V, CE = V <sub>IH</sub> , V <sub>OUT</sub> = GND to V <sub>CC</sub>	1, 2, 3	02,04, 06,08,09		5	μA
			01,03,05,07		10	
		M,D,P	1 1/		2/	
Dynamic operating current (both ports active)	I <sub>CC1</sub> Outputs open, V <sub>CC</sub> = 5.5 V, SEM ≥ V <sub>IH</sub> , f = f <sub>max</sub> 3/ CE ≤ V <sub>IL</sub>	1, 2, 3	05,07		400	mA
			03		395	
			01		390	
			06,08,09		340	
			04		335	
			02		330	
		M,D,P	1 1/		2/	
Standby supply current (both ports) TTL inputs	I <sub>CC2</sub> SEM <sub>R</sub> = SEM <sub>L</sub> ≥ V <sub>IH</sub> , CE <sub>R</sub> = CE <sub>L</sub> ≥ V <sub>IH</sub> , V <sub>CC</sub> = 5.5 V, f = f <sub>max</sub> 3/	1, 2, 3	01,03,05,07		85	mA
			02,04,06,08		65	
			09		50	
		M,D,P	1 1/		2/	
Standby supply current (one port) TTL inputs	I <sub>CC3</sub> active port outputs open SEM <sub>R</sub> = SEM <sub>L</sub> > V <sub>IH</sub> , CE <sub>R</sub> = CE <sub>L</sub> ≥ V <sub>IH</sub> , V <sub>CC</sub> = 5.5 V, f = f <sub>max</sub> 3/	1, 2, 3	01,03,05,07		290	mA
			02,04,06, 08,09		250	
		M,D,P	1 1/		2/	
Full standby supply current (both ports) CMOS inputs	I <sub>CC4</sub> SEM <sub>R</sub> = SEM <sub>L</sub> ≥ V <sub>CC</sub> - 0.2 V both ports CE <sub>R</sub> = CE <sub>L</sub> ≥ V <sub>CC</sub> - 0.2 V V <sub>IN</sub> ≤ 0.2 V or V <sub>IN</sub> ≥ V <sub>CC</sub> - 0.2 V V <sub>CC</sub> = 5.5 V, f = 0 4/	1, 2, 3	01,03,05,07		30	mA
			02,04,06,08		10	
			09		5	
		M,D,P	1 1/		2/	
Full standby supply current (one port) CMOS inputs	I <sub>CC5</sub> active port outputs open SEM <sub>R</sub> = SEM <sub>L</sub> ≥ V <sub>CC</sub> - 0.2 V one port CE <sub>R</sub> or CE <sub>L</sub> ≥ V <sub>CC</sub> - 0.2 V V <sub>IN</sub> ≤ 0.2 V or ≥ V <sub>CC</sub> - 0.2 V V <sub>CC</sub> = 5.5 V, f = f <sub>max</sub> 3/	1, 2, 3	01,03,05,07		260	mA
			02,04,06,08 09		215	
		M,D,P	1 1/		2/	

See footnotes at end of table.

<b>STANDARD MICROCIRCUIT DRAWING DEFENSE SUPPLY CENTER COLUMBUS COLUMBUS, OHIO 43216-5000</b>	<b>SIZE A</b>		<b>5962-91617</b>
		REVISION LEVEL A	SHEET 7

TABLE I. Electrical performance characteristics - continued.

Test	Symbol	Conditions -55°C ≤ T <sub>C</sub> ≤ +125°C 4.5 V ≤ V <sub>CC</sub> ≤ 5.5 V unless otherwise specified	Group A subgroups	Device type	Limits		Unit
					Min	Max	
Input capacitance	C <sub>IN</sub>	V <sub>IN</sub> = 0 V, V <sub>CC</sub> = 5.0 V, f = 1MHz, T <sub>A</sub> = 25°C, see 4.4.1e	4	All		11	pF
Output capacitance	C <sub>OUT</sub>	V <sub>OUT</sub> = 0 V, V <sub>CC</sub> = 5.0 V, f = 1MHz, T <sub>A</sub> = 25°C, see 4.4.1e	4	All		11	pF
Functional testing		See 4.4.1c	7, 8A, 8B	All			
			M,D,P	7 1/		2/	
Data retention voltage	V <sub>DR</sub>	V <sub>CE</sub> ≥ V <sub>CC</sub> - 0.2 V, V <sub>CC</sub> = 2.0 V V <sub>IN</sub> ≥ V <sub>CC</sub> - 0.2 V or ≤ 0.2 V	1, 2, 3	02,04,06, 08,09	2.0		V
			M,D,P	1 1/		2/	
Data retention current	I <sub>CCDR</sub>		1, 2, 3	02,04,06,08		4	mA
				09		400	μA
			M,D,P	1 1/		2/	
Chip deselect to data retention time 5/	t <sub>CDR</sub>	V <sub>CC</sub> = 2.0 V, V <sub>CE</sub> ≥ V <sub>CC</sub> - 0.2 V V <sub>IN</sub> ≥ V <sub>CC</sub> - 0.2 V or ≤ 0.2 V See figures 4 and 5 6/	9, 10, 11	02,04,06, 08,09	0		ns
			M,D,P	9 1/		2/	
Operation recovery time 5/	t <sub>R</sub>		9, 10, 11	02,04,06, 08,09	t <sub>AVAV</sub>		ns
			M,D,P	9 1/		2/	
Read/write cycle time	t <sub>AVAV</sub>	See figures 4 and 5 6/	9, 10, 11	01,02	70		ns
				03,04	55		
				05,06	45		
				07,08	35		
				09	30		
			M,D,P	9 1/		2/	
Address access time	t <sub>AVQV</sub>		9, 10, 11	01,02		70	ns
				03,04		55	
				05,06		45	
				07,08		35	
				09		30	
			M,D,P	9 1/		2/	
Chip enable access time 7/	t <sub>ELQV</sub>		9, 10, 11	01,02		70	ns
				03,04		55	
				05,06		45	
				07,08		35	
				09		30	
			M,D,P	9 1/		2/	

See footnotes at end of table.

<b>STANDARD MICROCIRCUIT DRAWING DEFENSE SUPPLY CENTER COLUMBUS COLUMBUS, OHIO 43216-5000</b>	<b>SIZE A</b>		<b>5962-91617</b>
		REVISION LEVEL A	SHEET 8



TABLE I. Electrical performance characteristics - continued.

Test	Symbol	Conditions -55°C ≤ T <sub>C</sub> ≤ +125°C 4.5 V ≤ V <sub>CC</sub> ≤ 5.5 V unless otherwise specified	Group A subgroups	Device type	Limits		Unit
					Min	Max	
Byte enable access time <u>7/</u>	t <sub>ABE</sub>	See figures 4 and 5 <u>6/</u>	9, 10, 11	01,02		70	ns
				03,04		55	
				05,06		45	
				07,08		35	
				09		30	
	M,D,P	9 <u>1/</u>			<u>2/</u>		
Output enable access time <u>7/</u>	t <sub>OLQV</sub>	See figures 4 and 5 <u>6/</u>	9, 10, 11	01,02		35	ns
				03,04		30	
				05,06		25	
				07,08		20	
				09		15	
	M,D,P	9 <u>1/</u>			<u>2/</u>		
Output hold from address change	t <sub>AVQX</sub>	See figures 4 and 5 <u>6/</u>	9, 10, 11	All	3		ns
				M,D,P	9 <u>1/</u>		
Output enable to output active <u>5/</u>	t <sub>OLQX</sub>	See figures 4 and 5 <u>8/</u>	9, 10, 11	01-06	5		ns
				07-09	3		
			M,D,P	9 <u>1/</u>		<u>2/</u>	
Output disable to output inactive <u>5/</u>	t <sub>OHQZ</sub>	See figures 4 and 5 <u>6/</u>	9, 10, 11	01,02		30	ns
				03,04		25	
				05,06		20	
				07,08,09		15	
	M,D,P	9 <u>1/</u>			<u>2/</u>		
Chip enable to power-up time <u>5/</u>	t <sub>ELPU</sub>	See figures 4 and 5 <u>6/</u>	9, 10, 11	All	0		ns
			M,D,P	9 <u>1/</u>		<u>2/</u>	
Chip disable to power-down time <u>5/</u>	t <sub>EHPD</sub>	See figures 4 and 5 <u>6/</u>	9, 10, 11	All		50	ns
			M,D,P	9 <u>1/</u>		<u>2/</u>	
Semaphore flag update pulse(OE or SEM)	t <sub>SOP</sub>	See figures 4 and 5 <u>6/</u>	9, 10, 11	All	15		ns
			M,D,P	9 <u>1/</u>		<u>2/</u>	

See footnotes at end of table.

<b>STANDARD MICROCIRCUIT DRAWING DEFENSE SUPPLY CENTER COLUMBUS COLUMBUS, OHIO 43216-5000</b>	<b>SIZE A</b>		<b>5962-91617</b>
		REVISION LEVEL A	SHEET <b>9</b>

TABLE I. Electrical performance characteristics - continued.

Symbol	Conditions -55°C ≤ T <sub>C</sub> ≤ +125°C 4.5 V ≤ V <sub>CC</sub> ≤ 5.5 V unless otherwise specified	Group A subgroups	Device type	Limits		Unit	
				Min	Max		
Chip enable to end of write <u>9/</u>	t <sub>ELWH</sub>	See figures 4 and 5 <u>6/</u>	9, 10, 11	01,02	50	ns	
				03,04	45		
				05,06	40		
				07,08	30		
				09	25		
		M,D,P	9 <u>1/</u>		<u>2/</u>		
Address valid to end of write	t <sub>AVWH</sub>		9, 10, 11	01,02	50	ns	
				03,04	45		
				05,06	40		
				07,08	30		
				09	25		
		M,D,P	9 <u>1/</u>		<u>2/</u>		
Address set-up time <u>9/</u>	t <sub>AVWL</sub>			All	0	ns	
							M,D,P
Write pulse width	t <sub>WLWH</sub>		9, 10, 11	01,02	50	ns	
				03,04	45		
				05,06	40		
				07,08	30		
				09	25		
		M,D,P	9 <u>1/</u>		<u>2/</u>		
Write recovery time	t <sub>WHAX</sub>			All	0	ns	
							M,D,P
Data valid to end of write	t <sub>DVWH</sub>		9, 10, 11	01,02	40	ns	
				03,04	30		
				05,06	25		
				07,08	25		
				09	20		
		M,D,P	9 <u>1/</u>		<u>2/</u>		
Data hold time <u>10/</u>	t <sub>WHDX</sub>			All	0	ns	
							M,D,P
Write enable to output inactive	t <sub>WLQZ</sub>	See figures 4 and 5 <u>5/ 8/</u>	9, 10, 11	01,02		30	ns
				03,04		25	
				05,06		20	
				07,08,09		15	
						M,D,P	

See footnotes at end of table.

<b>STANDARD MICROCIRCUIT DRAWING DEFENSE SUPPLY CENTER COLUMBUS COLUMBUS, OHIO 43216-5000</b>	<b>SIZE A</b>		<b>5962-91617</b>
		<b>REVISION LEVEL A</b>	<b>SHEET 10</b>

TABLE I. Electrical performance characteristics - continued.

Test	Symbol	Conditions -55°C ≤ T <sub>C</sub> ≤ +125°C 4.5 V ≤ V <sub>CC</sub> ≤ 5.5 V unless otherwise specified	Group A subgroups	Device type	Limits		Unit
					Min	Max	
Output active from end-of-write <u>10/</u>	tWHQX	See figures 4 and 5 <u>5/ 8/</u>	9, 10, 11	All	0		ns
			M,D,P	9 <u>1/</u>	<u>2/</u>		
SEM flag write to read time	tSWRD	See figures 4 and 5 <u>6/</u>	9, 10, 11	All	10		ns
			M,D,P	9 <u>1/</u>	<u>2/</u>		
SEM flag contention window	tSPS		9, 10, 11	All	10		ns
			M,D,P	9 <u>1/</u>	<u>2/</u>		
BUSY access time from address match	tBAA	M/S = H See figures 4 and 5 <u>6/</u>	9, 10, 11	01-04		45	ns
				05-08		35	
				09		30	
			M,D,P	9 <u>1/</u>	<u>2/</u>		
BUSY disable time from address not matched	tBDA		9, 10, 11	01-04		40	ns
				05-08		30	
				09		25	
			M,D,P	9 <u>1/</u>	<u>2/</u>		
BUSY access time from chip enable low	tBAC		9, 10, 11	01-04		40	ns
				05-08		30	
				09		25	
			M,D,P	9 <u>1/</u>	<u>2/</u>		
BUSY disable time from chip enable high	tBDC		9, 10, 11	01-04		35	ns
				05-08		25	
				09		20	
			M,D,P	9 <u>1/</u>	<u>2/</u>		
Arbitration priority set-up time <u>11/</u>	tAPS		9, 10, 11	All	5		ns
			M,D,P	9 <u>1/</u>	<u>2/</u>		
BUSY disable time from chip enable high <u>12/</u>	tBDD		9, 10, 11	All			ns
			M,D,P	9 <u>1/</u>		<u>2/</u>	

See footnotes at end of table.

<b>STANDARD MICROCIRCUIT DRAWING DEFENSE SUPPLY CENTER COLUMBUS COLUMBUS, OHIO 43216-5000</b>	<b>SIZE A</b>		<b>5962-91617</b>
		<b>REVISION LEVEL A</b>	<b>SHEET 11</b>

TABLE I. Electrical performance characteristics - continued.

Test	Symbol	Conditions -55°C ≤ T <sub>C</sub> ≤ +125°C 4.5 V ≤ V <sub>CC</sub> ≤ 5.5 V unless otherwise specified	Group A subgroups	Device type	Limits		Unit
					Min	Max	
Write pulse to data delay	t <sub>WDD</sub>	See figures 4 and 5 6/	9, 10, 11	01,02		95	ns
				03,04		80	
				05,06		70	
				07,08		60	
				09		55	
				M,D,P	9 1/		
Write data valid to read data delay	t <sub>DDD</sub>		9, 10, 11	01,02		80	ns
				03,04		65	
				05,06		55	
				07,08		45	
				09		40	
				M,D,P	9 1/		
$\overline{\text{BUSY}}$ input to write 13/	t <sub>WB</sub>	See figures 4 and 5 6/ M/S = L	9, 10, 11	All	0		ns
	M,D,P			9 1/		2/	
Write hold after $\overline{\text{BUSY}}$ 14/	t <sub>WH</sub>		9, 10, 11	All	25		ns
			M,D,P	9 1/		2/	
Interrupt set time	t <sub>INS</sub>	See figures 4 and 5 6/	9, 10, 11	01,02		50	ns
				03,04		40	
				05,06		35	
				07,08		30	
				09		25	
				M,D,P	9 1/		
Interrupt reset time	t <sub>INR</sub>		9, 10, 11	01,02		50	ns
				03,04		40	
				05,06		35	
				07,08		30	
				09		25	
				M,D,P	9 1/		

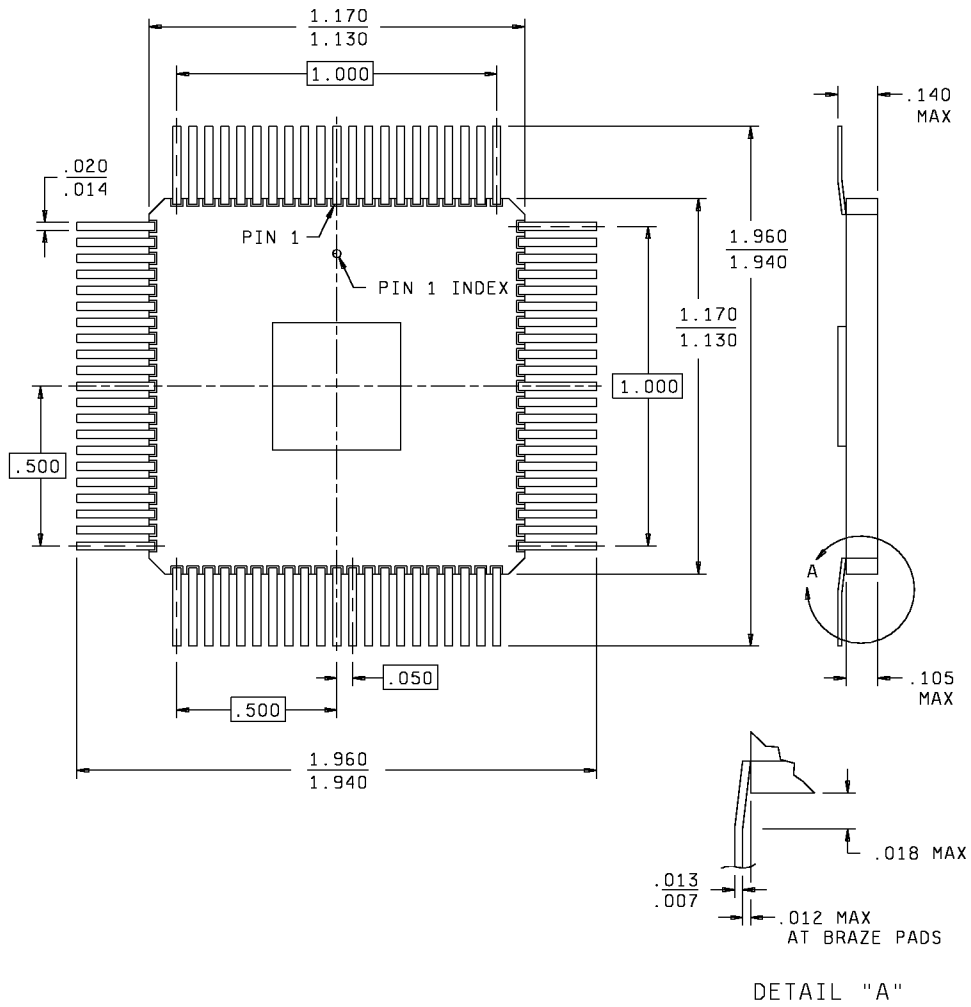
See footnotes at end of table.

<b>STANDARD MICROCIRCUIT DRAWING DEFENSE SUPPLY CENTER COLUMBUS COLUMBUS, OHIO 43216-5000</b>	<b>SIZE A</b>		<b>5962-91617</b>
		<b>REVISION LEVEL A</b>	<b>SHEET 12</b>

TABLE I. Electrical performance characteristics - continued.

- 1/ ~~When forming postirradiation electrical measurements for any RHA level  $T_A = +25^\circ\text{C}$ . Limits shown are guaranteed at  $T_A = +25^\circ\text{C} \pm 5^\circ\text{C}$ . The M, D, and P in the test condition column are the postirradiation limits for the device types specified in the device types column.~~
- 2/ Preirradiation values for RHA marked devices shall also be the postirradiation values unless otherwise specified.
- 3/ At  $f_{\text{MAX}}$ , address and data inputs (except OE) are cycling at the maximum frequency of read cycle of  $1/t_{\text{AVAV}}$ , and using AC test conditions of input levels of GND to 3 V.
- 4/  $f = 0$  Hz means no address or control lines change.
- 5/ This parameter is tested initially and after any design or process change which could affect this parameter, and therefore shall be guaranteed to the limits specified in table I.
- 6/ AC measurements assume transition times  $\leq 5$  ns, input levels from ground to 3.0 V, timing reference levels of 1.5 V, and the output load in figure 4, circuit A.
- 7/ To access RAM: CE = L, SEM = H, UB or LB = L.
- 8/ Transition is measured at steady-state high level -500 mV or steady-state low level +500 mV on the output from the 1.5 V level on the input,  $C_L = 5$  pF (including scope and jig). See figure 4, circuit B.
- 9/ To access RAM: CE = H, UB or LB = L, SEM = H. To access Semaphore: CE = H and SEM = H. Either condition must be valid for the entire  $t_{\text{ELWH}}$  time.
- 10/ The specification for  $t_{\text{WHDX}}$  must be met by the device supplying write data to the RAM under all operating conditions. Although  $t_{\text{WHDX}}$  and  $t_{\text{WHQX}}$  values will vary over voltage and temperature, the actual  $t_{\text{WHDX}}$  will always be smaller than the actual  $t_{\text{WHQX}}$ .
- 11/ To ensure that the earlier of the two ports wins.
- 12/  $t_{\text{BDD}}$  is a calculated parameter and is greater of 0,  $t_{\text{WDD}} - t_{\text{DVWH}}(\text{actual})$  or  $t_{\text{WDD}} - t_{\text{WLWH}}(\text{actual})$ .
- 13/ To ensure that the write cycle is inhibited during contention.
- 14/ To ensure that a write cycle is completed after contention.

<b>STANDARD MICROCIRCUIT DRAWING DEFENSE SUPPLY CENTER COLUMBUS COLUMBUS, OHIO 43216-5000</b>	<b>SIZE A</b>		<b>5962-91617</b>
		REVISION LEVEL A	SHEET <b>13</b>



<u>Inches</u>	<u>Millimeters</u>	<u>Inches</u>	<u>Millimeters</u>
.007	.18	.140	3.56
.012	.30	.500	12.70
.013	.33	1.000	25.40
.014	.36	1.130	28.70
.018	.46	1.170	29.72
.020	.51	1.940	49.28
.050	1.27	1.960	49.78
.105	2.67		

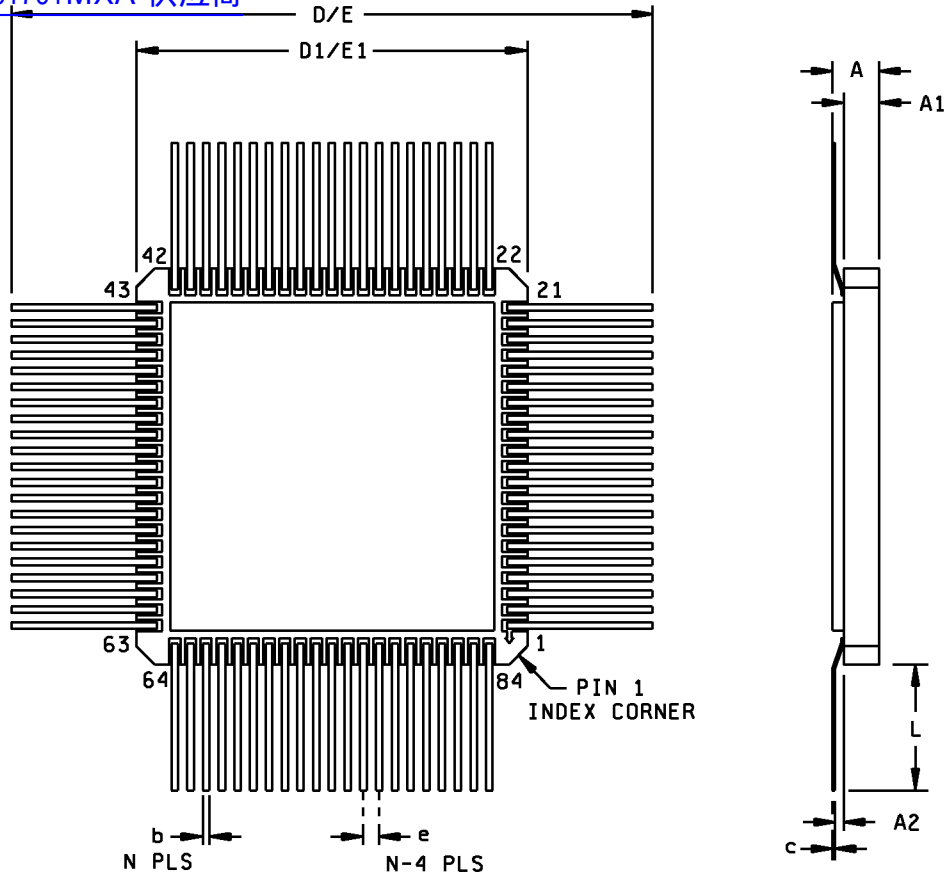
Note: Although dimensions are in inches, the US government preferred system of measurement is the metric SI system. However, since this item was originally designed using inch-pound units of measurement, in the event of conflict between the two, the inch-pound units shall take precedence. Metric equivalents are for general information only.

FIGURE 1. Case outline.

<b>STANDARD MICROCIRCUIT DRAWING DEFENSE SUPPLY CENTER COLUMBUS COLUMBUS, OHIO 43216-5000</b>	<b>SIZE A</b>		<b>5962-91617</b>
		REVISION LEVEL A	SHEET 14

Case Z

[查询"5962-9161701MXA"供应商](#)



	Inches		Millimeters	
	Min	Max	Min	Max
A	.081	.114	2.05	2.89
A1	.072	.105	1.82	2.67
A2	.014 Max		0.356 Max	
b	.018 REF		0.457 REF	
C	.009	.012	0.22	0.31
D/E	1.738	1.806	44.16	45.86
D1/E1	1.140	1.160	28.96	29.46
e	.050 BSC		1.270 BSC	
L	.299	.323	7.60	8.20
N	84		84	

Note: Although dimensions are in inches, the US government preferred system of measurement is the metric SI system. However, since this item was originally designed using inch-pound units of measurement, in the event of conflict between the two, the inch-pound units shall take precedence. Metric equivalents are for general information only.

FIGURE 1. Case outline - continued.

<b>STANDARD MICROCIRCUIT DRAWING DEFENSE SUPPLY CENTER COLUMBUS COLUMBUS, OHIO 43216-5000</b>	<b>SIZE A</b>		<b>5962-91617</b>
		REVISION LEVEL A	SHEET 15

查询"5962-9161701MXA"供应商

Device	All		
Case	X		
Terminal number	1/ 2/ Terminal symbol	Terminal number	1/ 2/ Terminal symbol
A1	I/O <sub>8R</sub>	F9	V <sub>CC</sub>
A2	I/O <sub>6R</sub>	F10	$\overline{UB}_L$
A3	I/O <sub>5R</sub>	F11	$\overline{OE}_L$
A4	I/O <sub>3R</sub>	G1	$\overline{CE}_L$
A5	I/O <sub>1R</sub>	G2	$\overline{UB}_R$
A6	I/O <sub>0R</sub>	G3	$\overline{SEM}_R$
A7	I/O <sub>15L</sub>	G9	R/W <sub>L</sub>
A8	I/O <sub>13L</sub>	G10	$\overline{CE}_L$
A9	I/O <sub>11L</sub>	G11	$\overline{SEM}_L$
A10	I/O <sub>10L</sub>	H1	A <sub>12R</sub>
A11	I/O <sub>7L</sub>	H2	A <sub>11R</sub>
B1	I/O <sub>11R</sub>	H10	A <sub>12L</sub>
B2	I/O <sub>9R</sub>	H11	$\overline{LB}_L$
B3	I/O <sub>7R</sub>	J1	A <sub>10R</sub>
B4	I/O <sub>4R</sub>	J2	A <sub>8R</sub>
B5	I/O <sub>3R</sub>	J5	A <sub>0R</sub>
B6	GND	J6	GND
B7	I/O <sub>14L</sub>	J7	BUSY <sub>L</sub>
B8	I/O <sub>12L</sub>	J10	A <sub>9L</sub>
B9	I/O <sub>9L</sub>	J11	A <sub>11L</sub>
B10	I/O <sub>8L</sub>	K1	A <sub>9R</sub>
B11	I/O <sub>5L</sub>	K2	A <sub>6R</sub>
C1	I/O <sub>12R</sub>	K3	A <sub>5R</sub>
C2	I/O <sub>10R</sub>	K4	A <sub>2R</sub>
C5	V <sub>CC</sub>	K5	$\overline{INT}_R$
C6	GND	K6	M/S
C7	V <sub>CC</sub>	K7	A <sub>0L</sub>
C10	I/O <sub>6L</sub>	K8	A <sub>3L</sub>
C11	I/O <sub>4L</sub>	K9	A <sub>6L</sub>
D1	I/O <sub>14R</sub>	K10	A <sub>8L</sub>
D2	I/O <sub>13R</sub>	K11	A <sub>10L</sub>
D10	I/O <sub>3L</sub>	L1	A <sub>7R</sub>
D11	I/O <sub>2L</sub>	L2	A <sub>4R</sub>
E1	$\overline{OE}_R$	L3	A <sub>3R</sub>
E2	I/O <sub>15R</sub>	L4	A <sub>1R</sub>
E3	GND	L5	$\overline{BUSY}_R$
E9	GND	L6	A <sub>1L</sub>
E10	I/O <sub>1L</sub>	L7	$\overline{INT}_L$
E11	I/O <sub>0L</sub>	L8	A <sub>2L</sub>
F1	$\overline{LB}_R$	L9	A <sub>4L</sub>
F2	R/W <sub>R</sub>	L10	A <sub>5L</sub>
F3	GND	L11	A <sub>7L</sub>

- 1/ All V<sub>CC</sub> pins must be connected to power supply.  
 2/ All GND pins must be connected to ground supply.

FIGURE 2. Terminal connections.

<b>STANDARD          MICROCIRCUIT DRAWING          DEFENSE SUPPLY CENTER COLUMBUS          COLUMBUS, OHIO 43216-5000</b>	<b>SIZE          A</b>		<b>5962-91617</b>
		<b>REVISION LEVEL          A</b>	<b>SHEET          16</b>



Device Case outline	All		
	Y and Z		
Terminal number	1/ 2/ Terminal symbol	Terminal number	1/ 2/ Terminal symbol
1	V <sub>CC</sub>	43	GND
2	$\overline{OE}_L$	44	$\overline{SEM}_R$
3	I/O <sub>0L</sub>	45	CE <sub>R</sub>
4	I/O <sub>1L</sub>	46	UB <sub>R</sub>
5	GND	47	LB <sub>R</sub>
6	I/O <sub>2L</sub>	48	A <sub>12R</sub>
7	I/O <sub>3L</sub>	49	A <sub>11R</sub>
8	I/O <sub>4L</sub>	50	A <sub>10R</sub>
9	I/O <sub>5L</sub>	51	A <sub>9R</sub>
10	I/O <sub>6L</sub>	52	A <sub>8R</sub>
11	I/O <sub>7L</sub>	53	A <sub>7R</sub>
12	I/O <sub>8L</sub>	54	A <sub>6R</sub>
13	I/O <sub>9L</sub>	55	A <sub>5R</sub>
14	I/O <sub>10L</sub>	56	A <sub>4R</sub>
15	I/O <sub>11L</sub>	57	A <sub>3R</sub>
16	I/O <sub>12L</sub>	58	A <sub>2R</sub>
17	I/O <sub>13L</sub>	59	A <sub>1R</sub>
18	GND	60	A <sub>0R</sub>
19	I/O <sub>14L</sub>	61	$\overline{INT}_R$
20	I/O <sub>15L</sub>	62	BUSY <sub>R</sub>
21	V <sub>CC</sub>	63	M/S
22	GND	64	GND
23	I/O <sub>0R</sub>	65	BUSY <sub>L</sub>
24	I/O <sub>1R</sub>	66	$\overline{INT}_L$
25	I/O <sub>2R</sub>	67	A <sub>0L</sub>
26	V <sub>CC</sub>	68	A <sub>1L</sub>
27	I/O <sub>3R</sub>	69	A <sub>2L</sub>
28	I/O <sub>4R</sub>	70	A <sub>3L</sub>
29	I/O <sub>5R</sub>	71	A <sub>4L</sub>
30	I/O <sub>6R</sub>	72	A <sub>5L</sub>
31	I/O <sub>7R</sub>	73	A <sub>6L</sub>
32	I/O <sub>8R</sub>	74	A <sub>7L</sub>
33	I/O <sub>9R</sub>	75	A <sub>8L</sub>
34	I/O <sub>10R</sub>	76	A <sub>9L</sub>
35	I/O <sub>11R</sub>	77	A <sub>10L</sub>
36	I/O <sub>12R</sub>	78	A <sub>11L</sub>
37	I/O <sub>13R</sub>	79	A <sub>12L</sub>
38	I/O <sub>14R</sub>	80	$\overline{LB}_L$
39	GND	81	UB <sub>L</sub>
40	I/O <sub>15R</sub>	82	CE <sub>L</sub>
41	$\overline{OE}_R$	83	$\overline{SEM}_L$
42	R/W <sub>R</sub>	84	R/W <sub>L</sub>

1/ All V<sub>CC</sub> pins must be connected to power supply.  
 2/ All GND pins must be connected to ground supply.

FIGURE 2. Terminal connections - Continued.

STANDARD MICROCIRCUIT DRAWING DEFENSE SUPPLY CENTER COLUMBUS COLUMBUS, OHIO 43216-5000	SIZE <b>A</b>		5962-91617
		REVISION LEVEL A	SHEET <b>17</b>

Non-contention read/write control

Inputs <sup>1/</sup>						Outputs		Mode
CE	R/W	OE	UB	LB	SEM	I/O <sub>8-15</sub>	I/O <sub>0-7</sub>	
H	X	X	X	X	H	Hi-Z	Hi-Z	Deselected: Power Down
X	X	X	H	H	H	Hi-Z	Hi-Z	Both Bytes Deselected: Power Down
L	L	X	L	H	H	DATA <sub>IN</sub>	Hi-Z	Write to Upper Byte Only
L	L	X	H	L	H	Hi-Z	DATA <sub>IN</sub>	Write to Lower Byte Only
L	L	X	L	L	H	DATA <sub>IN</sub>	DATA <sub>IN</sub>	Write to Both Bytes
L	H	L	L	H	H	DATA <sub>OUT</sub>	Hi-Z	Read Upper Byte Only
L	H	L	H	L	H	Hi-Z	DATA <sub>OUT</sub>	Read Lower Byte Only
L	H	L	L	L	H	DATA <sub>OUT</sub>	DATA <sub>OUT</sub>	Read Both Bytes
X	X	H	X	X	X	Hi-Z	Hi-Z	Outputs Disabled

<sup>1/</sup> A0L-A12L ≠ A0R-A12R.

Semaphore read/write control

Inputs						Outputs		Mode
CE	R/W	OE	UB	LB	SEM	I/O <sub>8-15</sub>	I/O <sub>0-7</sub>	
H	H	L	X	X	L	DATA <sub>OUT</sub>	DATA <sub>OUT</sub>	Read Data in Semaphore Flag
X	H	L	H	H	L	DATA <sub>OUT</sub>	DATA <sub>OUT</sub>	Read Data in Semaphore Flag
H	<sup>1/</sup>	X	X	X	L	DATA <sub>IN</sub>	DATA <sub>IN</sub>	Write D <sub>IN0</sub> into Semaphore Flag
X	<sup>1/</sup>	X	H	H	L	DATA <sub>IN</sub>	DATA <sub>IN</sub>	Write D <sub>IN0</sub> into Semaphore Flag
L	X	X	L	X	L	-	-	Not Allowed
L	X	X	X	L	L	-	-	Not Allowed

<sup>1/</sup> Rising edge of signal.

FIGURE 3. Truth tables.

<b>STANDARD MICROCIRCUIT DRAWING DEFENSE SUPPLY CENTER COLUMBUS COLUMBUS, OHIO 43216-5000</b>	<b>SIZE A</b>		<b>5962-91617</b>
		REVISION LEVEL A	SHEET 18

Interrupt flag 1/

Left Port					Right Port					Function
R/W <sub>L</sub>	$\overline{CE}_L$	$\overline{OE}_L$	A <sub>0L</sub> -A <sub>12L</sub>	TNT <sub>L</sub>	R/W <sub>R</sub>	$\overline{CE}_R$	$\overline{OE}_R$	A <sub>0R</sub> -A <sub>12R</sub>	TNT <sub>R</sub>	
L	L	X	1FFF	X	X	X	X	X	L 2/	Set Right TNT <sub>R</sub> Flag
X	X	X	X	X	X	L	L	1FFF	H 3/	Reset Right TNT <sub>R</sub> Flag
X	X	X	X	L 3/	L	L	X	1FFE	X	Set Left TNT <sub>L</sub> Flag
X	L	L	1FFE	H 2/	X	X	X	X	X	Reset Left TNT <sub>L</sub> Flag

- 1/ Assumes  $BUSY_L = BUSY_R = H$ .  
 2/ If  $BUSY_L = L$ , then no change.  
 3/ If  $BUSY_R = L$ , then no change.

Address busy arbitration 1/

Inputs			Outputs		Function
$\overline{CE}_L$	$\overline{CE}_R$	A <sub>0L</sub> -A <sub>12L</sub> A <sub>0R</sub> -A <sub>12R</sub>	BUSY <sub>L</sub> 1/	BUSY <sub>R</sub> 1/	
X	X	NO MATCH	H	H	Normal
H	X	MATCH	H	H	Normal
X	H	MATCH	H	H	Normal
L	L	MATCH	2/	2/	Write Inhibit 3/

- 1/  $BUSY_L$  and  $BUSY_R$  are both outputs when the part is configured as a master. Both are inputs when configured as a slave.  $BUSY_X$  outputs are push pull, not open drain outputs. On slaves the  $BUSY_X$  input internally inhibits writes.  
 2/ L if the inputs to the opposite port were stable prior to the address and enable inputs of this port. H if the inputs to the opposite port became stable after the address and enable inputs of this port. If t<sub>APS</sub> is not met, either  $BUSY_L$  or  $BUSY_R = Low$  will result.  $BUSY_L$  and  $BUSY_R$  outputs cannot be low simultaneously.  
 3/ Writes to the left port are internally ignored when  $BUSY_L$  outputs are driving low regardless of actual logic level on the pin. Writes to the right port are internally ignored when  $BUSY_R$  outputs are driving low regardless of actual logic level on the pin.

FIGURE 3. Truth tables - continued.

STANDARD MICROCIRCUIT DRAWING DEFENSE SUPPLY CENTER COLUMBUS COLUMBUS, OHIO 43216-5000	SIZE <b>A</b>		<b>5962-91617</b>
		REVISION LEVEL A	SHEET <b>19</b>

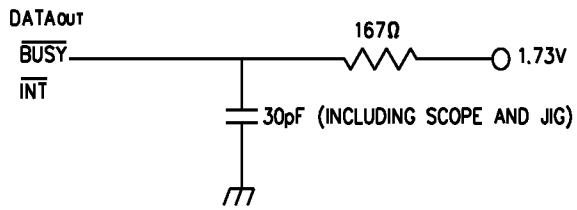
Example of Semaphore Procurement Sequence 1/

Functions	D <sub>0</sub> -D <sub>15</sub> Left	D <sub>0</sub> -D <sub>15</sub> Right	Status
No Action	1	1	Semaphore free
Left Port Writes "0" to Semaphore	0	1	Left port has semaphore token
Right Port Writes "0" to Semaphore	0	1	No change. Right side has no write access to semaphore
Left Port Writes "1" to Semaphore	1	0	Right port obtains semaphore token
Left Port Writes "0" to Semaphore	1	0	No change. Left port has no write access to semaphore
Right Port Writes "1" to Semaphore	0	1	Left port obtains semaphore token
Left Port Writes "1" to Semaphore	1	1	Semaphore free
Right Port Writes "0" to Semaphore	1	0	Right port has semaphore token
Right Port Writes "1" to Semaphore	1	1	Semaphore free
Left Port Writes "0" to Semaphore	0	1	Right port has semaphore token
Left Port Writes "1" to Semaphore	1	1	Semaphore free

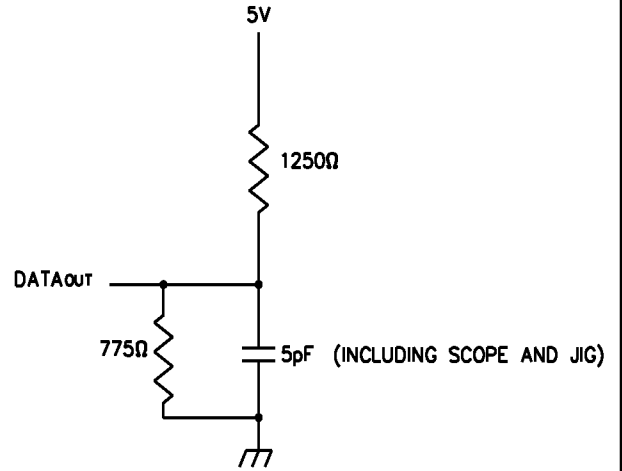
1/ This table denotes a sequence of events for only one of the eight semaphores.

FIGURE 3. Truth tables - continued.

<b>STANDARD MICROCIRCUIT DRAWING DEFENSE SUPPLY CENTER COLUMBUS COLUMBUS, OHIO 43216-5000</b>	<b>SIZE A</b>		<b>5962-91617</b>
		REVISION LEVEL A	SHEET 20



Circuit A



Circuit B (for  $t_{OLQX}$ ,  $t_{OHQZ}$ ,  $t_{WLQZ}$  and  $t_{WHQX}$ )

AC test conditions

Input pulse levels	GND to 3.0 V
Input rise and fall times ( $t_r$ , $t_f$ )	$\leq 5$ ns
Input timing reference levels	1.5 V
Output reference levels	1.5 V

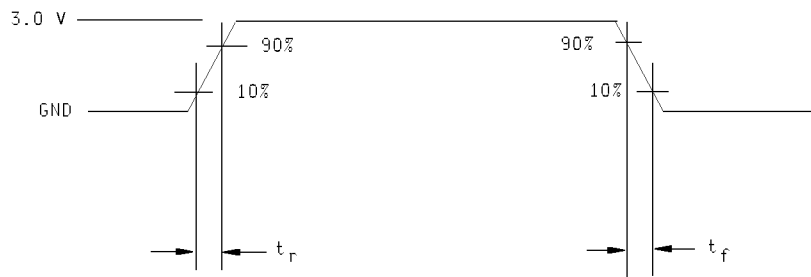
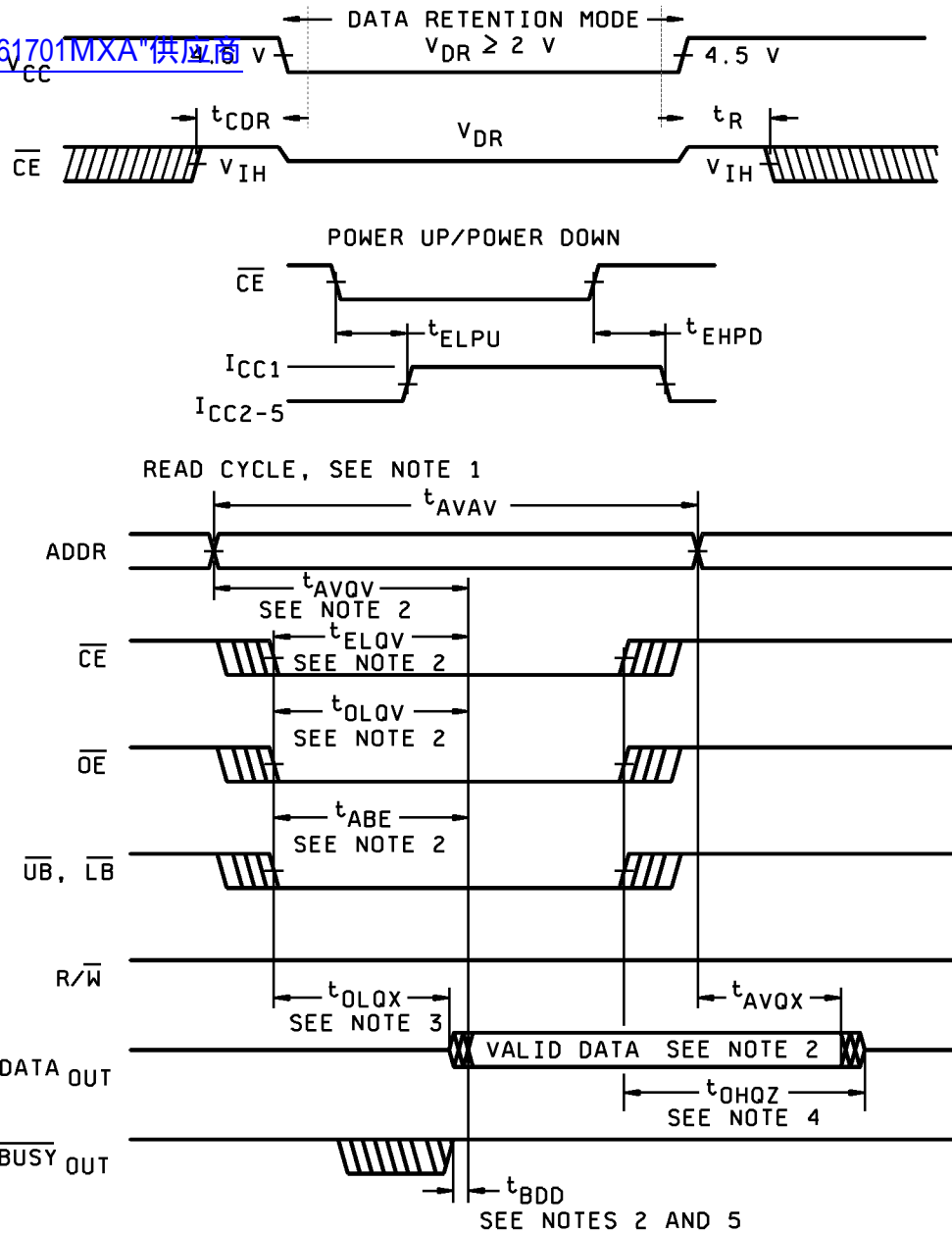


FIGURE 4. Output load circuits.

STANDARD MICROCIRCUIT DRAWING DEFENSE SUPPLY CENTER COLUMBUS COLUMBUS, OHIO 43216-5000	SIZE <b>A</b>		5962-91617
		REVISION LEVEL A	SHEET <b>21</b>

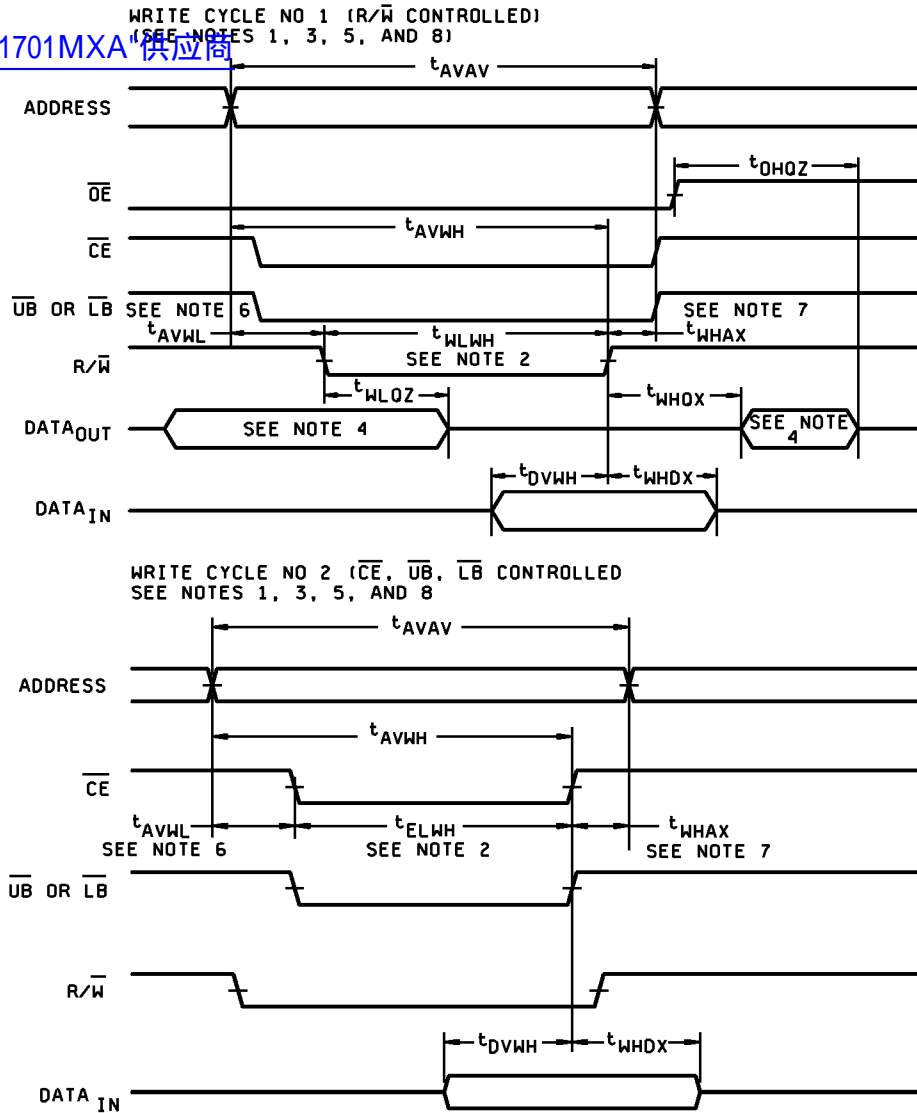


Notes on read operation:

1. SEM = H.
2. Start of valid data depends on which timing becomes effective last,  $t_{ABE}$ ,  $t_{OLQV}$ ,  $t_{ELQV}$ ,  $t_{AVQV}$ ,  $t_{BDD}$ .
3. Timing depends on which signal is asserted last,  $\overline{OE}$ ,  $\overline{CE}$ ,  $\overline{LB}$ , or  $\overline{UB}$ .
4. Timing depends on which signal is de-asserted first,  $\overline{OE}$ ,  $\overline{CE}$ ,  $\overline{LB}$ , or  $\overline{UB}$ .
5.  $t_{BDD}$  delay is required only in case where opposite port is completing a write operation to the same address location. For simultaneous read operations BUSY has no relation to valid output data.

FIGURE 5. Timing waveforms.

STANDARD MICROCIRCUIT DRAWING DEFENSE SUPPLY CENTER COLUMBUS COLUMBUS, OHIO 43216-5000	SIZE <b>A</b>		5962-91617
		REVISION LEVEL A	SHEET 22



Notes on write cycle:

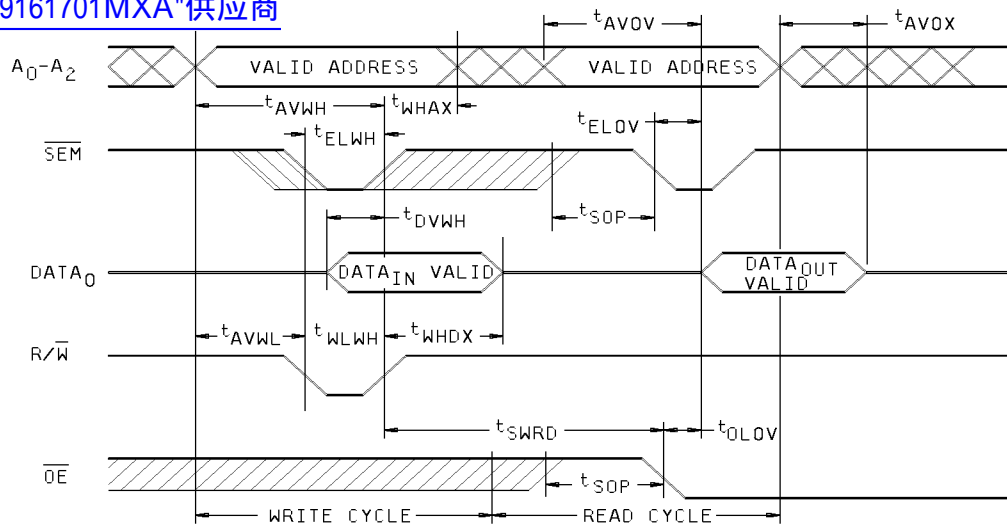
1. R/W must be high during all address transitions.
2. A write occurs during the overlap ( $t_{ELWH}$  or  $t_{WLWH}$ ) of a low UB or LB and a low CE and a low R/W for memory array writing cycle.
3.  $t_{WHAX}$  is measured from the earlier of CE or R/W (or SEM or R/W) going high to the end of write cycle.
4. During this period, the I/O pins are in the output state and input signals must not be applied.
5. If the CE or SEM low transition occurs simultaneously with or after the R/W low transition, the outputs remain in the high impedance state.
6. Timing depends on which enable signal is asserted last.
7. Timing depends on which enable signal is de-asserted first.
8. If OE is low during R/W controlled write cycle, the write pulse width must be the larger of  $t_{WLWH}$  or ( $t_{WLOZ} + t_{DVWH}$ ) to allow the I/O drivers to turn off and data to be placed on the bus for the required  $t_{DVWH}$ . If OE is high during an R/W controlled write cycle, this requirement does not apply and the write pulse can be as short as the specified  $t_{WLWH}$ .

FIGURE 5. Timing waveforms - continued.

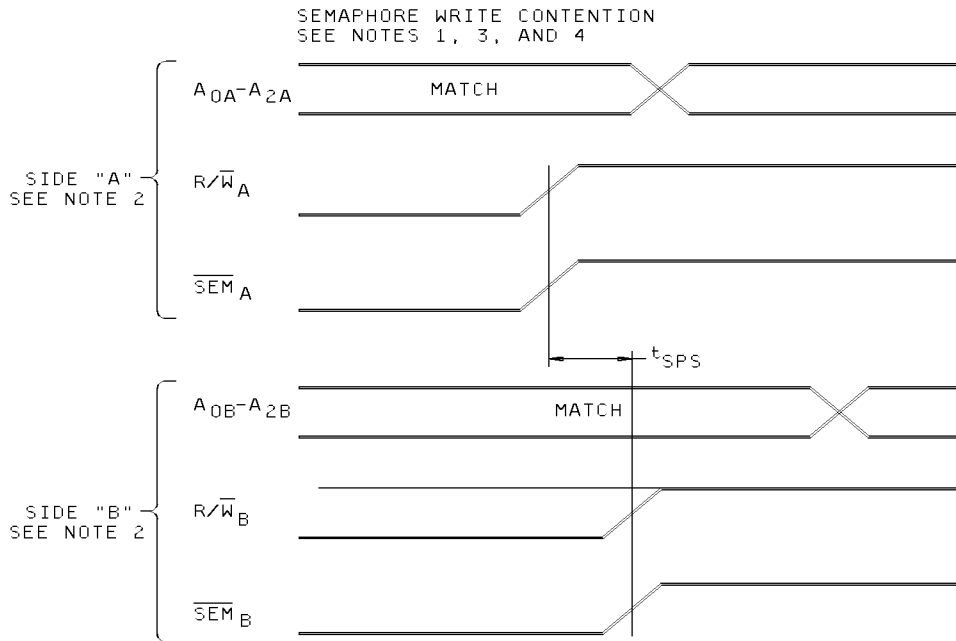
STANDARD MICROCIRCUIT DRAWING DEFENSE SUPPLY CENTER COLUMBUS COLUMBUS, OHIO 43216-5000	SIZE <b>A</b>		<b>5962-91617</b>
		REVISION LEVEL A	SHEET <b>23</b>

SEMAPHORE READ AFTER WRITE, EITHER SIDE (SEE NOTE)

[查询"5962-9161701MXA"供应商](#)



Note:  $\overline{CE} = H$  for the duration of the above timing (both write and read cycle).



Notes:

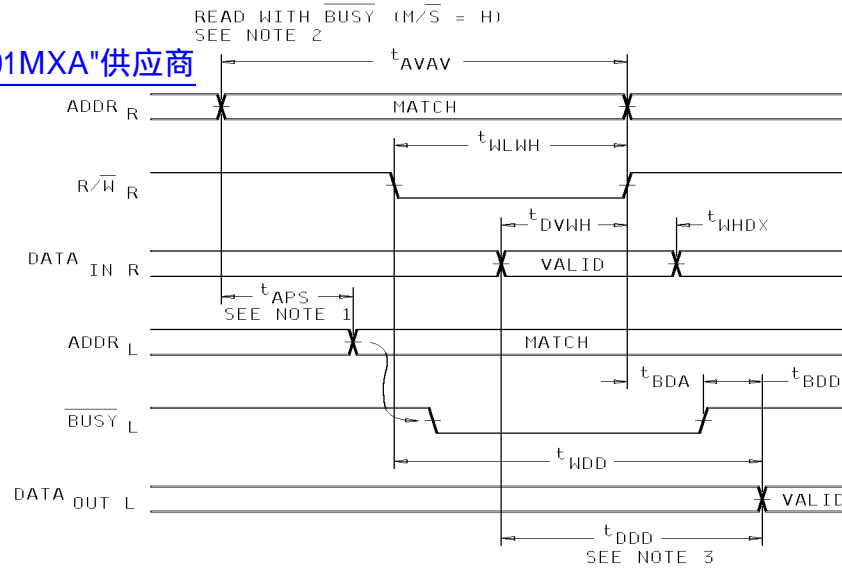
1.  $D_{OR} = D_{OL}$ ,  $\overline{CE}_R = \overline{CE}_L = H$ , semaphore flag is released from both sides (reads as ones from both sides) at cycle start.
2. "A" may be either left or right port. "B" is the opposite port from "A".
3. This parameter is measured from  $R/\overline{W}_A$  or  $\overline{SEM}_A$  going high to  $R/\overline{W}_B$  or  $\overline{SEM}_B$  going high.
4. If  $t_{SPS}$  is violated, the semaphore will fall positively to one side or the other, but there is no guarantee which side will obtain the flag.

FIGURE 5. Timing waveforms - continued.

<b>STANDARD MICROCIRCUIT DRAWING DEFENSE SUPPLY CENTER COLUMBUS COLUMBUS, OHIO 43216-5000</b>	<b>SIZE A</b>		<b>5962-91617</b>
		REVISION LEVEL A	SHEET 24

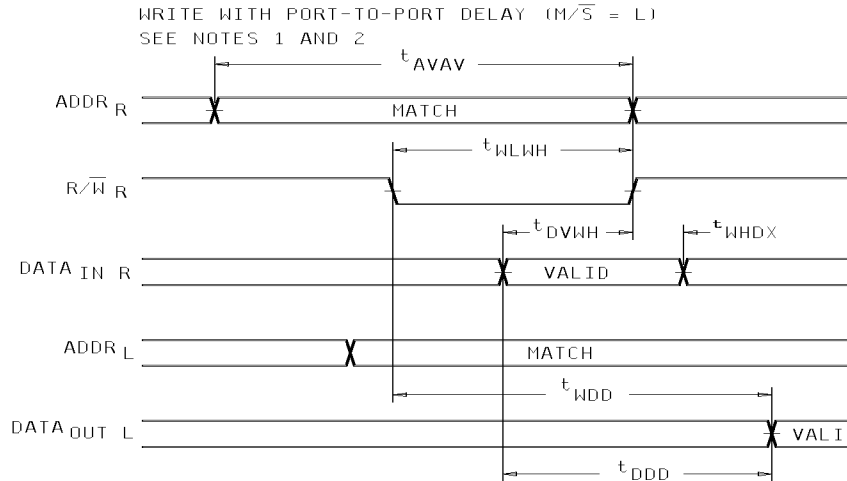


查询"5962-9161701MXA"供应商



Notes:

1. To ensure that the earlier of the two ports wins.
2.  $\overline{\text{CE}}_L = \overline{\text{CE}}_R = \text{L}$ .
3.  $\overline{\text{OE}} = \text{L}$  for the reading port.



Notes:

1.  $\overline{\text{BUSY}}$  input equals H for the writing port.
2.  $\overline{\text{CE}}_L = \overline{\text{CE}}_R = \text{L}$ .

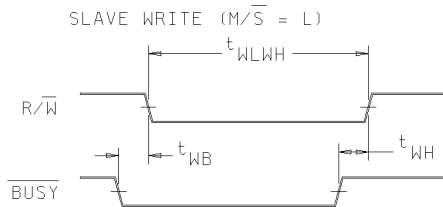
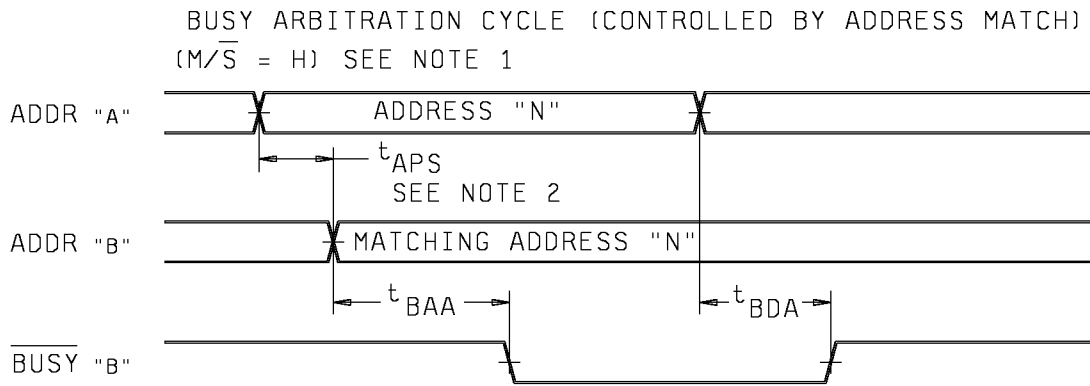
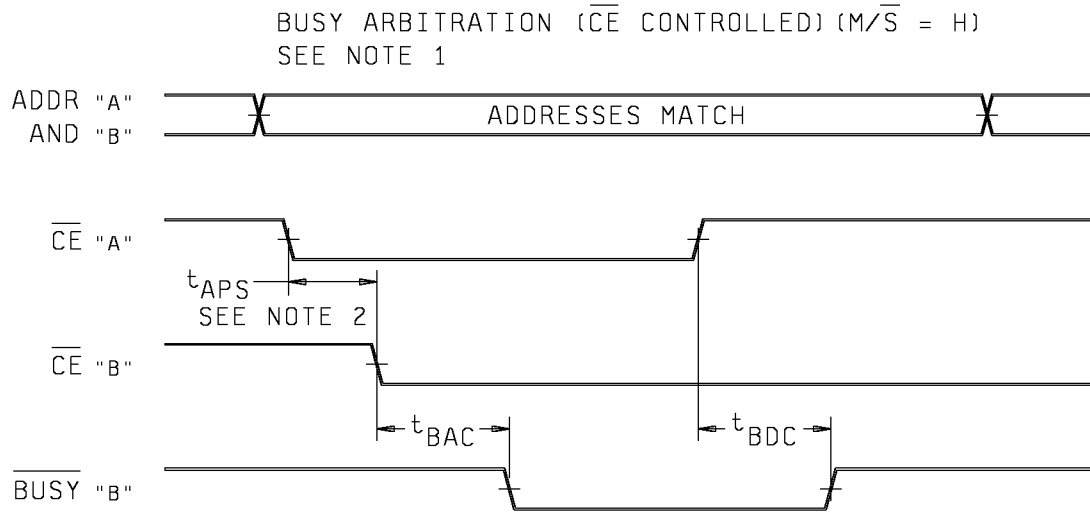


FIGURE 5. Timing waveforms - continued.

<b>STANDARD MICROCIRCUIT DRAWING DEFENSE SUPPLY CENTER COLUMBUS COLUMBUS, OHIO 43216-5000</b>	<b>SIZE A</b>		<b>5962-91617</b>
		<b>REVISION LEVEL A</b>	<b>SHEET 25</b>

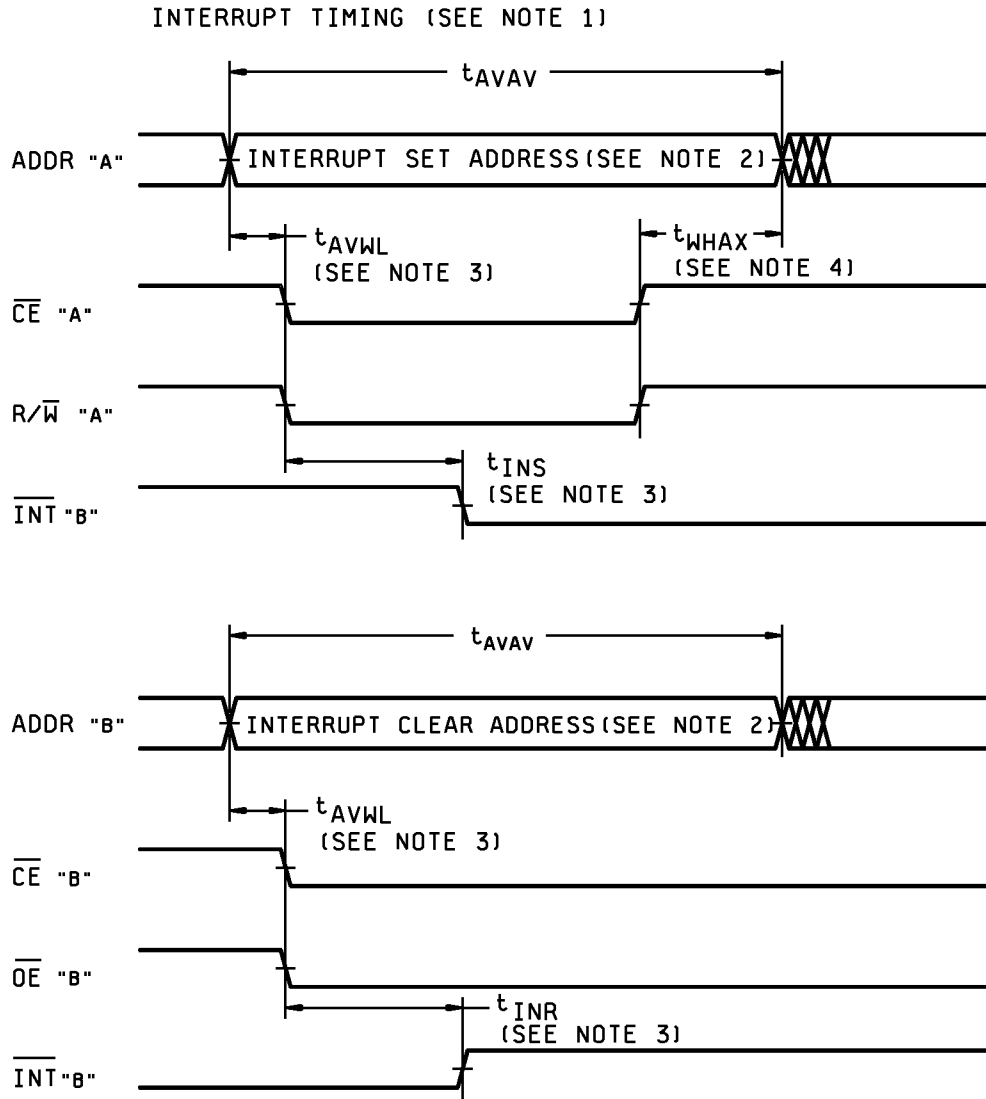


Notes on busy arbitration:

1. All timing is the same for left and right ports. Port "A" may be either the left or right port. Port "B" is the port opposite from "A".
2. If  $t_{APS}$  is violated, the busy signal will be asserted on one side or another but there is no guarantee on which side busy will be asserted.

FIGURE 5. Timing waveforms - continued.

<b>STANDARD MICROCIRCUIT DRAWING DEFENSE SUPPLY CENTER COLUMBUS COLUMBUS, OHIO 43216-5000</b>	<b>SIZE A</b>		<b>5962-91617</b>
		REVISION LEVEL A	SHEET 26



Notes on interrupt timing:

1. All timing is the same for the left and right ports. Port "A" may be either the left or right port. Port "B" is the port opposite from "A".
2. See interrupt truth table.
3. Timing depends on which enable signal is asserted last.
4. Timing depends on which enable signal is de-asserted first.

FIGURE 5. Timing waveforms - continued.

STANDARD MICROCIRCUIT DRAWING DEFENSE SUPPLY CENTER COLUMBUS COLUMBUS, OHIO 43216-5000	SIZE <b>A</b>		5962-91617
		REVISION LEVEL A	SHEET <b>27</b>

TABLE IIA. Electrical test requirements. 1/ 2/ 3/ 4/ 5/ 6/ 7/

查询"5962-9161701MXA"供应商

Line no.	Test requirements	Subgroups (in accordance with MIL-STD-883, TM 5005, table I)		
		Device class M	Device class Q	Device class V
1	Interim electrical parameters (see 4.2)			1, 7, 9
2	Static burn-in (method 1015)	Not required	Not required	Required
3	Same as line 1			1*, 7* Δ
4	Dynamic burn-in (method 1015)	Required	Required	Required
5	Same as line 1			1*, 7* Δ
6	Final electrical parameters (see 4.2)	1*, 2, 3, 7*, 8A, 8B, 9, 10, 11	1*, 2, 3, 7*, 8A, 8B, 9, 10, 11	1*, 2, 3, 7*, 8A, 8B, 9, 10, 11
7	Group A test requirements (see 4.4)	1, 2, 3, 4**, 7, 8A, 8B, 9, 10, 11	1, 2, 3, 4**, 7, 8A, 8B, 9, 10, 11	1, 2, 3, 4**, 7, 8A, 8B, 9, 10, 11
8	Group C end-point electrical parameters (see 4.4)	2, 3, 7, 8A, 8B	1, 2, 3, 7, 8A, 8B	1, 2, 3, 7, 8A, 8B, 9, 10, 11 Δ
9	Group D end-point electrical parameters (see 4.4)	2, 3, 8A, 8B	2, 3, 8A, 8B	2, 3, 8A, 8B
10	Group E end-point electrical parameters (see 4.4)	1, 7, 9	1, 7, 9	1, 7, 9

- 1/ Blank spaces indicate tests are not applicable.
- 2/ Any or all subgroups may be combined when using high-speed testers.
- 3/ Subgroups 7 and 8 functional tests shall verify the truth table.
- 4/ \* indicates PDA applies to subgroup 1 and 7.
- 5/ \*\* see 4.4.1e.
- 6/ Δ indicates delta limit (see table IIB) shall be required where specified, and the delta values shall be computed with reference to the previous interim electrical parameters (see line 1).
- 7/ See 4.4.1d.

<b>STANDARD MICROCIRCUIT DRAWING DEFENSE SUPPLY CENTER COLUMBUS COLUMBUS, OHIO 43216-5000</b>	<b>SIZE A</b>		<b>5962-91617</b>
		REVISION LEVEL A	SHEET 28

TABLE IIB. Delta limits at +25°C.

[查询"5962-9161701MXA"供应商](#)

Parameter 1/	Device types
	All
$I_{CC4}, I_{CC5}$	±10% of specified value in table IA
$I_{LI}$	±10% of specified value in table IA
$I_{LO}$	±10% of specified value in table IA

1/ The above parameter shall be recorded before and after the required burn-in and life tests to determine the delta  $\Delta$ .

4.4.1 Group A inspection.

- a. Tests shall be as specified in table IIA herein.
- b. Subgroups 5 and 6 of table I of method 5005 of MIL-STD-883 shall be omitted.
- c. For device class M, subgroups 7 and 8 tests shall be sufficient to verify the truth table. For device classes Q and V, subgroups 7 and 8 shall include verifying the functionality of the device; these tests shall have been fault graded in accordance with MIL-STD-883, test method 5012 (see 1.5 herein).
- d. O/V (latch-up) tests shall be measured only for initial qualification and after any design or process changes which may affect the performance of the device. For device class M, procedures and circuits shall be maintained under document revision level control by the manufacturer and shall be made available to the preparing activity or acquiring activity upon request. For device classes Q and V, the procedures and circuits shall be under the control of the device manufacturer's TRB in accordance with MIL-PRF-38535 and shall be made available to the preparing activity or acquiring activity upon request. Testing shall be on all pins, on five devices with zero failures. Latch-up test shall be considered destructive. Information contained in JEDEC Standard EIA/JESD78 may be used for reference.
- e. Subgroup 4 ( $C_{IN}$  and  $C_{OUT}$  measurements) shall be measured only for initial qualification and after any process or design changes which may affect input or output capacitance. Capacitance shall be measured between the designated terminal and GND at a frequency of 1 MHz. Sample size is 15 devices with no failures, and all input and output terminals tested.

4.4.2 Group C inspection. The group C inspection end-point electrical parameters shall be as specified in table IIA herein.

4.4.2.1 Additional criteria for device class M. Steady-state life test conditions, method 1005 of MIL-STD-883:

- a. Test condition D. The test circuit shall be maintained by the manufacturer under document revision level control and shall be made available to the preparing or acquiring activity upon request. The test circuit shall specify the inputs, outputs, biases, and power dissipation, as applicable, in accordance with the intent specified in test method 1005 of MIL-STD-883.
- b.  $T_A = +125^\circ\text{C}$ , minimum.
- c. Test duration: 1,000 hours, except as permitted by method 1005 of MIL-STD-883.

4.4.2.2 Additional criteria for device classes Q and V. The steady-state life test duration, test condition and test temperature, or approved alternatives shall be as specified in the device manufacturer's QM plan in accordance with MIL-PRF-38535. The test circuit shall be maintained under document revision level control by the device manufacturer's TRB in accordance with MIL-PRF-38535 and shall be made available to the acquiring or preparing activity upon request. The test circuit shall specify the inputs, outputs, biases, and power dissipation, as applicable, in accordance with the intent specified in test method 1005 of MIL-STD-883.

4.4.3 Group D inspection. The group D inspection end-point electrical parameters shall be as specified in table IIA herein.

<b>STANDARD MICROCIRCUIT DRAWING DEFENSE SUPPLY CENTER COLUMBUS COLUMBUS, OHIO 43216-5000</b>	<b>SIZE A</b>		<b>5962-91617</b>
		REVISION LEVEL A	SHEET 29

4.4.4 Group E inspection. Group E inspection is required only for parts intended to be marked as radiation hardness assured (see 3.5 herein).

[查询"5962-9161701MXA"供应商](#)

- a. End-point electrical parameters shall be as specified in table IIA herein.
- b. For device classes Q and V, the devices or test vehicle shall be subjected to radiation hardness assured tests as specified in MIL-PRF-38535 for the RHA level being tested. For device class M, the devices shall be subjected to radiation hardness assured tests as specified in MIL-PRF-38535, appendix A for the RHA level being tested. All device classes must meet the postirradiation end-point electrical parameter limits as defined in table I at  $T_A = +25^\circ\text{C} \pm 5^\circ\text{C}$ , after exposure, to the subgroups specified in table IIA herein.
- c. When specified in the purchase order or contract, a copy of the RHA delta limits shall be supplied.

4.4.4.1 Total dose irradiation testing. Total dose irradiation testing shall be performed in accordance with MIL-STD-883 method 1019 and as specified herein.

4.4.4.1.1 Accelerated aging test. Accelerated aging tests shall be performed on all devices requiring a RHA level greater than 5k rads(Si). The post-anneal end-point electrical parameter limits shall be as specified in table I herein and shall be the pre-irradiation end-point electrical parameter limit at  $25^\circ\text{C} \pm 5^\circ\text{C}$ . Testing shall be performed at initial qualification and after any design or process changes which may affect the RHA response of the device.

4.4.4.2 Dose rate induced latchup testing. Dose rate induced latchup shall not occur under any recommended operating condition.

4.4.4.3 Dose rate upset testing. Dose rate upset testing shall be performed in accordance with test method 1021 of MIL-STD-883 and herein.

- a. Transient dose rate upset testing for class M devices shall be performed at initial qualification and after any design or process changes which may effect the RHA performance of the devices. Test 10 devices with 0 defects unless otherwise specified.
- b. Transient dose rate upset testing for class Q and V devices shall be performed as specified by a TRB approved radiation hardness assurance plan and MIL-PRF-38535. Device parametric parameters that influence upset immunity shall be monitored at the wafer level in accordance with the wafer level hardness assurance plan and MIL-PRF-38535.
- c. The transient dose rate upset level shall be greater than or equal to  $5E10$  rads(Si)/s with a pulse width less than or equal to  $1.0 \mu\text{s}$ .

4.4.4.4 Single event phenomena (SEP). SEP testing shall be required on class V devices (see 1.4 herein). SEP testing shall be performed on a technology process on the Standard Evaluation Circuit (SEC) or alternate SEP test vehicle as approved by the qualifying activity at initial qualification and after any design or process changes which may affect the upset or latchup characteristics. The recommended test conditions for SEP are as follows:

- a. The ion beam angle of incidence shall be between normal to the die surface and  $60^\circ$  to the normal, inclusive (i.e.  $0^\circ \leq \text{angle} \leq 60^\circ$ ). No shadowing of the ion beam due to fixturing or package related effects is allowed.
- b. The fluence shall be  $\geq 100$  errors or  $\geq 10^7$  ions/cm<sup>2</sup>.
- c. The flux shall be between  $10^2$  and  $10^5$  ions/cm<sup>2</sup>/s. The cross-section shall be verified to be flux independent by measuring the cross-section at two flux rates which differ by at least an order of magnitude.
- d. The particle range shall be  $\geq 20$  microns in silicon.
- e. The test temperature shall be  $+25^\circ\text{C}$  and the maximum rated operating temperature  $\pm 10^\circ\text{C}$ .
- f. Bias conditions shall be  $V_{CC} = 4.5$  V dc for the upset measurements and  $V_{CC} = 5.5$  V dc for the latchup measurements.

<b>STANDARD MICROCIRCUIT DRAWING DEFENSE SUPPLY CENTER COLUMBUS COLUMBUS, OHIO 43216-5000</b>	<b>SIZE A</b>		<b>5962-91617</b>
		<b>REVISION LEVEL A</b>	<b>SHEET 30</b>

4.5 Delta measurements for device class V. Delta measurements, as specified in table IIA, shall be made and recorded before and after the required burn-in screens and steady-state life tests to determine delta compliance. The electrical parameters to be measured are listed in table IIB. The device manufacturer may, at his option, either perform delta measurements or within 24 hours after burn-in perform final electrical parameter tests, subgroups 1, 7, and 9.

5. PACKAGING

5.1 Packaging requirements. The requirements for packaging shall be in accordance with MIL-PRF-38535 for device classes Q and V or MIL-PRF-38535, appendix A for device class M.

6. NOTES

6.1 Intended use. Microcircuits conforming to this drawing are intended for use for Government microcircuit applications (original equipment), design applications, and logistics purposes.

6.1.1 Replaceability. Microcircuits covered by this drawing will replace the same generic device covered by a contractor-prepared specification or drawing.

6.1.2 Substitutability. Device class Q devices will replace device class M devices.

6.2 Configuration control of SMD's. All proposed changes to existing SMD's will be coordinated with the users of record for the individual documents. This coordination will be accomplished in accordance with MIL-STD-973 using DD Form 1692, Engineering Change Proposal.

6.3 Record of users. Military and industrial users should inform Defense Supply Center Columbus when a system application requires configuration control and which SMD's are applicable to that system. DSCC will maintain a record of users and this list will be used for coordination and distribution of changes to the drawings. Users of drawings covering microelectronic devices (FSC 5962) should contact DSCC-VA, telephone (614) 692-0525.

6.4 Comments. Comments on this drawing should be directed to DSCC-VA , Columbus, Ohio 43216-5000, or telephone (614) 692-0674.

6.5 Abbreviations, symbols, and definitions. The abbreviations, symbols, and definitions used herein are defined in MIL-PRF-38535 and MIL-HDBK-1331.

6.5.1 Timing limits. The table of timing values shows either a minimum or a maximum limit for each parameter. Input requirements are specified from the external system point of view. Thus, address setup time is shown as a minimum since the system must supply at least that much time (even though most devices do not require it). On the other hand, responses from the memory are specified from the device point of view. Thus, the access time is shown as a maximum since the device never provides data later than that time.


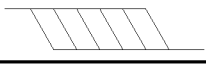
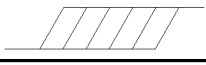
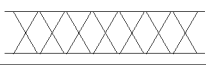
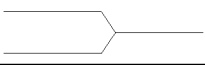
6.5 Abbreviations, symbols, and definitions. The abbreviations, symbols, and definitions used herein are defined in MIL-PRF-38535, MIL-HDBK-1331, and as follows:

C <sub>IN</sub> , C <sub>OUT</sub>	-----	Input and bidirectional output, terminal-to-GND capacitance.
GND	-----	Ground zero voltage potential.
I <sub>CC</sub>	-----	Supply current.
I <sub>IL</sub>	-----	Input current low.
I <sub>IH</sub>	-----	Input current high.
T <sub>C</sub>	-----	Case temperature.
T <sub>A</sub>	-----	Ambient temperature.
V <sub>CC</sub>	-----	Positive supply voltage.
V <sub>IC</sub>	-----	Positive input clamp voltage.
O/V	-----	Latch-up over-voltage.

<b>STANDARD MICROCIRCUIT DRAWING DEFENSE SUPPLY CENTER COLUMBUS COLUMBUS, OHIO 43216-5000</b>	<b>SIZE A</b>		<b>5962-91617</b>
		<b>REVISION LEVEL A</b>	<b>SHEET 31</b>

6.5.1 Timing limits. The table of timing values shows either a minimum or a maximum limit for each parameter. Input requirements are specified from the external system point of view. Thus, address setup time is shown as a minimum since the system must supply it to the device (even though most devices do not require it). On the other hand, responses from the memory are specified from the device point of view. Thus, the access time is shown as a maximum since the device never provides data later than that time.

6.5.2 Waveforms.

Waveform symbol	Input	Output
	MUST BE VALID	WILL BE VALID
	CHANGE FROM H TO L	WILL CHANGE FROM H TO L
	CHANGE FROM L TO H	WILL CHANGE FROM L TO H
	DON'T CARE ANY CHANGE PERMITTED	CHANGING STATE UNKNOWN
		HIGH IMPEDANCE

6.6 Sources of supply.

6.6.1 Sources of supply for device classes Q and V. Sources of supply for device classes Q and V are listed in QML-38535. The vendors listed in QML-38535 have submitted a certificate of compliance (see 3.6 herein) to DSCC-VA and have agreed to this drawing.

6.6.2 Approved sources of supply for device class M. Approved sources of supply for class M are listed in MIL-HDBK-103. The vendors listed in MIL-HDBK-103 have agreed to this drawing and a certificate of compliance (see 3.6 herein) has been submitted to and accepted by DSCC-VA.

<b>STANDARD MICROCIRCUIT DRAWING DEFENSE SUPPLY CENTER COLUMBUS COLUMBUS, OHIO 43216-5000</b>	<b>SIZE A</b>		<b>5962-91617</b>
		REVISION LEVEL A	SHEET 32



APPENDIX

[查询"5962-9161701MXA"供应商](#)

FUNCTIONAL ALGORITHMS

10. SCOPE

10.1 Scope. Functional algorithms are test patterns which define the exact sequence of events used to verify proper operation of a random access memory (RAM). Each algorithm serves a specific purpose for the testing of the device. It is understood that all manufacturers do not have the same test equipment; therefore, it becomes the responsibility of each manufacturer to guarantee that the test patterns described herein are followed as closely as possible, or equivalent patterns be used that serve the same purpose. Each manufacturer should demonstrate that this condition will be met. Algorithms shall be applied to the device in a topologically pure fashion. This appendix is a mandatory part of the specification. The information contained herein is intended for compliance.

20. APPLICABLE DOCUMENTS

This section is not applicable to this appendix.

30. ALGORITHMS

30.1 Algorithm A (pattern 1).

30.1.1 Checkerboard, checkerboard-bar.

- Step 1. Load memory with a checkerboard data pattern by incrementing from location 0 to maximum.
- Step 2. Read memory, verifying the output checkerboard pattern by incrementing from location 0 to maximum.
- Step 3. Load memory with a checkerboard-bar pattern by incrementing from location 0 to maximum.
- Step 4. Read memory, verifying the output checkerboard-bar pattern by incrementing from location 0 to maximum.

30.2 Algorithm B (pattern 2).

30.2.1 March.

- Step 1. Load memory with background data, incrementing from minimum to maximum address locations (All "0's").
- Step 2. Read data in location 0.
- Step 3. Write complement data to location 0.
- Step 4. Read complement data in location 0.
- Step 5. Repeat steps 2 through 4 incrementing X-fast sequentially, for each location in the array.
- Step 6. Read complement data in maximum address location.
- Step 7. Write data to maximum address location.
- Step 8. Read data in maximum address location.
- Step 9. Repeat steps 6 through 8 decrementing X-fast sequentially for each location in the array.
- Step 10. Read data in location 0.
- Step 11. Write complement data to location 0.
- Step 12. Read complement data in location 0.
- Step 13. Repeat steps 10 through 12 decrementing X-fast sequentially for each location in the array.
- Step 14. Read complement data in maximum address location.
- Step 15. Write data to maximum address location.
- Step 16. Read data in maximum address location.
- Step 17. Repeat steps 14 through 16 incrementing X-fast sequentially for each location in the array.
- Step 18. Read background data from memory, decrementing X-fast from maximum to minimum address locations.

30.3 Algorithm C (pattern 3).

30.3.1 XY March.

- Step 1. Load memory with background data, incrementing from minimum to maximum address locations (All "0's").
- Step 2. Read data in location 0.
- Step 3. Write complement data to location 0.
- Step 4. Read complement data in location 0.
- Step 5. Repeat steps 2 through 4 incrementing Y-fast sequentially, for each location in the array.
- Step 6. Read complement data in maximum address location.
- Step 7. Write data to maximum address location.
- Step 8. Read data in maximum address location.
- Step 9. Repeat steps 6 through 8 decrementing X-fast sequentially for each location in the array.

<b>STANDARD MICROCIRCUIT DRAWING DEFENSE SUPPLY CENTER COLUMBUS COLUMBUS, OHIO 43216-5000</b>	<b>SIZE A</b>		<b>5962-91617</b>
		REVISION LEVEL A	SHEET 33

- Step 10. Read data in location 0.  
 Step 11. Write complement data to location 0.  
 Step 12. Read complement data from location 0.  
 Step 13. Repeat steps 10 through 12 decrementing Y-fast sequentially for each location in the array.  
 Step 14. Read complement data in maximum address location.  
 Step 15. Write data to maximum address location.  
 Step 16. Read data in maximum address location.  
 Step 17. Repeat steps 14 through 16 incrementing X-fast sequentially for each location in the array.  
 Step 18. Read background data from memory, decrementing Y-fast from maximum to minimum address locations.

30.4 Algorithm D (pattern 4).

30.4.1 CEDES - CE deselect checkerboard, checkerboard-bar.

- Step 1. Load memory with a checkerboard data pattern by incrementing from location 0 to maximum.  
 Step 2. Deselect device, attempt to load memory with checkerboard-bar data pattern by incrementing from location 0 to maximum.  
 Step 3. Read memory, verifying the output checkerboard pattern by incrementing from location 0 to maximum.  
 Step 4. Load memory with a checkerboard-bar pattern by incrementing from location 0 to maximum.  
 Step 5. Deselect device, attempt to load memory with checkerboard data pattern by incrementing from location to maximum.  
 Step 6. Read memory, verifying the output checkerboard-bar pattern by incrementing from location 0 to maximum.

<b>STANDARD          MICROCIRCUIT DRAWING          DEFENSE SUPPLY CENTER COLUMBUS          COLUMBUS, OHIO 43216-5000</b>	<b>SIZE          A</b>		<b>5962-91617</b>
		<b>REVISION LEVEL          A</b>	<b>SHEET          34</b>

## STANDARD MICROCIRCUIT DRAWING SOURCE APPROVAL BULLETIN

DATE: 00-01-21

[查询"5962-9161701MXA"供应商](#)

Approved sources of supply for SMD 5962-89598 are listed below for immediate acquisition only and shall be added to MIL-HDBK-103 and QML-38535, as applicable, during the next revision. MIL-HDBK-103 and QML-38535 will be revised to include the addition or deletion of sources. The vendors listed below have agreed to this drawing and a certificate of compliance has been submitted to and accepted by DSCC-VA. This bulletin is superseded by the next dated revisions of MIL-HDBK-103 and QML-38535.

STANDARD MICROCIRCUIT DRAWING PIN <u>1/</u>	VENDOR CAGE NUMBER	VENDOR SIMILAR PIN <u>2/</u>
5962-9161701MXA	61772	IDT7025S70GB
5962-9161701MYA	61772	IDT7025S70FB
5962-9161702MXA	61772	IDT7025L70GB
5962-9161702MYA	61772	IDT7025L70FB
5962-9161703MXA	61772	IDT7025S55GB
5962-9161703MYA	61772	IDT7025S55FB
5962-9161704MXA	61772	IDT7025L55GB
5962-9161704MYA	61772	IDT7025L55FB
5962-9161705MXA	61772	IDT7025S45GB
5962-9161705MYA	61772	IDT7025S45FB
5962-9161706MXA	61772	IDT7025L45GB
5962-9161706QZC 5962-9161706VZC	0HGZ7 0HGZ7	MMK2-67025EV-45MQ SMK2-67025EV-45SV
5962-9161706MYA	61772	IDT7025L45FB
5962-9161707MXA	61772	IDT7025S35GB
5962-9161707MYA	61772	IDT7025S35FB
5962-9161708MXA	61772	IDT7025L35GB
5962-9161708MYA	61772	IDT7025L35FB
5962-9161709QZC 5962-9161709VZC	0HGZ7 0HGZ7	MMK2-67025EV-30MQ SMK2-67025EV-30SV

- 1/ The lead finish shown for each PIN representing a hermetic package is the most readily available from the manufacturer listed for that part. If the desired lead finish is not listed contact the vendor to determine its availability.
- 2/ **Caution.** Do not use this number for item acquisition. Items acquired to this number may not satisfy the performance requirements of this drawing.

[查询"5962-9161701MXA"供应商](#)  
Vendor PAGE  
number

Vendor name  
and address

61772

Integrated Device Technology  
2975 Stender Way  
Santa Clara, CA 95054-8015

0HGZ7

MHS S.A.  
BP 70602  
44306 NANTES CEDEX 03  
FRANCE

The information contained herein is disseminated for  
convenience only and the Government assumes no liability  
whatsoever for any inaccuracies in this information bulletin.