

GERMANIUM SMALL SIGNAL TRANSISTORS

PRO ELECTRON TYPES

查询"2N634A"供应商

Type	Polar-ity	V_{CBO} V Max	V_{EBO} V Max	V_{CE} V Max		I_{CBO} @ V_{CB} V μA Max	h_{FE} Min Max	@ I_C mA	C_{ob} pf Max	fab MHZ Min	Pack Outline	Power Dissipation @ 25°C MW
AC107	P	15										
AC116	P	30	12	18		6	8	35- 50-140	300 ¹ 20	21 ²	TO-1	80
AC117	P	32	10	18		6	18	40- 50-140	150		NS257	145
											NS257	260
AC121-IV	P	20	10	20				30-60	100	1.5 ²	TO-1	900
AC121-V	P	20	10	20				50-100	100	1.5 ²	TO-1	900
AC121-VI	P	20	10	20				75-150	100	1.5 ²	TO-1	900
AC121-VII	P	20	10	20				125-250	100	1.5 ²	TO-1	900
AC122	P	30	18	18		6	8	40-200	2 ¹	21 ²	TO-1	130
AC122/30	P	45	12	32		6	8	40-200	2 ¹	21 ²	TO-1	130
AC123	P	45	12	32		6	8	50-140	20	21 ²	NS257	145
AC124	P	45	10	32		6	18	40-170	150		NS257	260
AC125	P	32	10	12		10	10	50- 50-	2	50	TO-1	500
AC126	P	32	10	12		10	10	65- 50-	2	50	TO-1	500
AC127	N	32	10	12		10	10	50- 50-	500	70 ²	TO-1	340
AC128	P	32	10	16		10	10	55-175	50	100	TO-1	1,000
AC128K	P	32	10	16		10	10	55-175	50	100	NS257	1,000
AC130	N	20								2.0	TO-1	
AC131	P	30	10	18		6	18	40- 40-	150		TO-1	212
AC132	P	32	10	12		0.5	10	135 ² - 30-	20	40 ²	TO-1	500
AC138	P	32	10	20		10	15	30- 30-	5 ¹		TO-1	720
AC139	P	32	10	20		10	15	40-160	400		TO-1	720
AC141	N	32	10	18		10	35	40-160	400		TO-1	720
AC142	P	32	10	20		10	15	40-160	400		TO-1	720
AC142K	P	32	10	20		10	15	40-160	400		NS257	860
AC151	P	32	10	2Y		10	10	30 ¹ - 30-	2	27 ²	TO-1	900
AC152	P	32	10	2Y		0.5	10	30-150	100	40	TO-1	900
AC153	P	32	10	18		10	10	50-250	300	100	TO-1	1,000
AC153K	P	32	10	18		10	10	50-250	300	100	NS257	1,000
AC162	P	32	10	2Y		10	10	100 ²	50	40	TO-1	900
AC163	P	32	10	2Y		10	10	65- 65-	2	40	TO-1	900
AC173	P	32	10	2Y				50- 50-	2 ¹		TO-1	200
AC176	N	32	10	18		10	35	50-250	300	100 ²	TO-1	700
AC178	P	20	10	15		6	35	60- 60-	150		NS257	180
AC179	N	20	10	15		6	10 ²	60- 60-	150		NS257	180
AC180	P	32	20	16				50-250	600	2.5 ²	TO-1	600
AC180K	P	32	20	16				50-250	600	2.5 ²	NS257	2,500
AC181	N	32	20	16				50-250	600	4.5 ²	TO-1	600
AC181K	N	32	20	16				50-250	600	4.5 ²	NS257	2,500
AC182	P	32	20	18				50- 50-	1 ¹	4.0 ²	TO-1	200
AC183	N	32	20	16				50- 50-	2 ¹	4.0 ²	TO-1	250
AC184	P	32	20	16				50-250	300	2.5 ²	TO-1	600
AC185	N	32	20	16				50-250	300	2.5 ²	TO-1	600
AC187	N	25	10	15		10	35	100-500	300	180	TO-1	1,000
AC187K	N	25	10	15		10	35	100-500	300	180	NS257	1,000
AC188	P	25	10	15		10	15	100-500	300	110	TO-1	1,000
AC188K	P	25	10	15		10	15	100-500	300	100	NS257	1,000
AC193	P	32	10	15		10	15	90-400	400	40 ²	TO-1	220
AC193K	P	32	10	15		10	15	90-400	400	40 ²	TO-1	260
AC194	N	32	10	15		10	35	90-400	400	80 ²	TO-1	220
AC194K	N	32	10	15		10	35	90-400	400	80 ²	TO-1	260
ACY11	P	32	16	30		5	12	38- 38-	10	35	TO-1	150
ACY14	P	32	16	30		5	12	54- 54-	10	35	TO-1	150
ACY17		70	12	32		6	10	50-150	300	40	TO-5	200
ACY18		50	12	30		6	10	40-120	300	40	TO-5	200
ACY19		50	12	30		6	10	80-250	300	40	TO-5	200
ACY20		40	12	20		6	10	50-145	50	40	TO-5	200
ACY21		40	12	20		6	10	90-250	50	40	TO-5	200
ACY22		20	12	15		6	10	30-300	300	40	TO-5	200
ACY23	P	32	16	30				50- 50-	1 ¹	0.5	TO-1	900
ACY27	P	40	30	20		30	12	20-55	1 ¹	40	TO-1	200
ACY28	P	40	30	15		30	12	45-150	1 ¹	40	TO-1	200
ACY29	P	40	30	15		30	12	45-150	1 ¹	40	TO-1	200
ACY30	P	40	40	20		30	12	60-200	1 ¹	40	TO-1	200
ACY31	P	40	20			12	5	35-70	1 ¹	40	TO-1	200
ACY32	P	32	16	30		10	10	50-150	1 ¹	27 ²	TO-1	900

¹hfe²typical

GERMANIUM SMALL SIGNAL TRANSISTORS

PRO ELECTRON TYPES

[查询"2N634A"供应商](#)

Type	Polarity	V_{CBO} V Max	V_{EBO} V Max	V_{CE} V Max		@ V_{CB} V	I_{CBO} μA Max	h_{FE} Min Max	@ I_C mA	C_{ob} pf Max	fab MHZ Min	Pack Outline	Power Dissipation @25°C MW
ACY33	P	32	10	32		10	10	75-250	300	100	1.0	TO-1	1,000
ACY34	P	30	10	10		30	12	20-40	1 ¹	40	1.0 ²	TO-1	200
ACY35	P	30	10	10		30	12	30-75	1 ¹	40	1.0 ²	TO-1	200
ACY36	P	32	10	16		30	12	30-90	80	40	1.0 ²	TO-1	200
ACY38	P	15	9					75-	1 ¹		5.0	TO-5	150
ACY39	P	110	12	40		6	10	50-150	300	40	1.0 ¹	TO-5	260
ACY40	P	32	12	18		6	10	30-70	300	40	1.0 ¹	TO-5	260
ACY41	P	32	12	18		6	10	50-250	300	40	1.0 ¹	TO-5	260
ACY44	P	50	12	30		6	10	40-120	300	40	1.0 ¹	TO-5	260
ASY26	P	30	20	15		30	7	30-80	20	16	4.0	TO-5	150
ASY27	P	25	20	15		25	7	50-150	20	16	6.0	TO-5	150
ASY28	N	30	20	15		5	3.0	30-80	20	16	4.0	TO-5	150
ASY29	N	25	20	15		5	3.0	50-150	20	16	10.0	TO-5	150
ASY48	P	64	16	45				30-150	100	40	1.2 ²	TO-1	900
ASY70	P	32	16	30				30-150	100	40	1.5 ²	TO-1	900
ASY76	P	40	10	32		10	10	25-130	300	60	0.5	TO-5	300
ASY77	P	60	10	60		10	10	25-130	300	60	0.5	TO-5	300
ASY80	P	40	20	40		10	10	60-165	50	60	0.7	TO-5	300
ASY81	P	60	25	35		60	15	30-100	100	25	2.0	TO-5	200
OC65	P	10	10	10		4.5	12	30-	4	40	1.0 ¹	TO-1	25
OC66	P	10	10	10		4.5	12	50-	4	40	1.0 ¹	TO-1	25
OC70	P	30	10	10		4.5	13	20-40	0.5 ¹	40	1.0 ¹	TO-1	125
OC71	P	30	10	10		4.5	13	41-	1.0 ¹	40	1.0 ¹	TO-1	125
OC72	P	32	10	16		10	10	45-120	10	40	1.0 ¹	TO-1	125
OC73	P	32	20	16		4.5	6	30-65	0.5 ¹	40	1.0 ¹	TO-1	125
OC74	P	20	5			9	20	60-150	50	40	1.0 ¹	TO-1	220
OC75	P	30	10	10		4.5	14	60-130	3 ¹	40	1.0 ¹	TO-1	125
OC76	P	32	10	16		10	10	45-	10	40	1.0 ¹	TO-1	125
OC77	P	60	10	15		10	10	45-	10	40	1.0 ¹	TO-1	125
OC78	P	20	10			10	10	20-	125	40	1.0 ¹	TO-1	200
OC81N	P	32	10			10	10	50-250	50	40	1.0 ¹	TO-1	200
OC83N	P	32	10	20		10	10	40-200	300	40	1.0 ¹	TO-1	220
OC84N	P	32	10	20		10	10	50-160	300	40	1.0 ¹	TO-1	220

¹hfe²typical

Type		V_{CBO} V Max	V_{EBO} V Max	V_{CE} V Max		@ V_{CB} V	I_{CBO} μA Max	h_{FE} Typical	@ I_C mA	C_{ob} pf Max	fab MHZ Min	Pack Outline	Power Dissipation @25°C MW
------	--	-----------------------	-----------------------	----------------------	--	-----------------	-----------------------------	---------------------	---------------	-----------------------	-------------------	-----------------	-------------------------------------

PNP LOW POWER

2N217		35	12	25		10	10	50-	1 ¹	60	1 ²	TO-1	165
2N408		20	2.5	18		20	14	65-	50			TO-1	150
2N484		12				12	10	90-	1 ¹	12 ²	10	TO-5	150
2N519		15	10	15		0.5	2.0	25-	1 ¹	14 ²	0.5	TO-5	100
2N520		15	10	12		0.5	2.0	40-	1 ¹	14 ²	3.0	TO-5	100
2N520A		25	10	15		0.5	2.0	40-	1 ¹	14 ²	3.0	TO-5	150
2N522A		25	10	10		0.5	2.0	100-	1 ¹	14 ²	15.0	TO-5	150
2N1187		65	30	45		10	10	50-	1 ¹		1.0	TO-5	200
2N1188		60	30	45		10	10	100-	1 ¹		1.2	TO-5	200
2N1729		25	20	15		3	6	30-	100	20		TO-5	150
2N1731		30	25	30		3	6	40-	10	20	5.0	TO-5	150

Type		V_{CBO} V Max	V_{EBO} V Max	V_{CE} V Max		@ V_{CB} V	I_{CBO} μA Max	h_{FE} Typical	@ I_C mA	C_{ob} pf Max	fab MHZ Min	Pack Outline	Power Dissipation @25°C MW
------	--	-----------------------	-----------------------	----------------------	--	-----------------	-----------------------------	---------------------	---------------	-----------------------	-------------------	-----------------	-------------------------------------

NPN LOW POWER

2N166		6				6	5	32	1.0		5.0	R5	25
2N167		30	50	30		30	1.5		1.0	4.0 ¹	8.0	OV17	65
2N169A		25	25	25		25	5			2.4 ¹	5.0	OV17	55
2N356		20	20	18		20	5	30	1.0	14 ¹	3.0	TO-5	100

GERMANIUM NPN TRANSISTORS

查询"2N634A"供应商

Type	V_{CB0} V Max	V_{EBO} V Max	V_{CE} V Max		I_{CB0} μA Max	h_{FE} Typical	I_C mA	C_{ob} pf Max	fab MHZ Min	Pack Outline	Power Dissipation @25°C MW	
NPN												
2N356A	30	20	20		30	5	20	100		TO-5	150	
2N357	20	20	15		20	5	45	1.0		TO-5	100	
2N357A	30	20	20		30	5	25	200		TO-5	150	
2N358	20	20	12		20	5	60	1.0	14'	TO-5	100	
2N358A	30	20	15		30	5	25	300		TO-5	150	
2N358A	30	20	15		30	25	25	300		TO-5	150	
2N366	30	20	2		30	10	65	1.0	4.5	OV9	150	
2N377	25	15	20		25	10	40	30	20	TO-5	150	
2N377A	40	15			40	20	20	30	20	TO-5	150	
2N385	25	15	25		25	10	60	30	20	TO-5	150	
2N385A	40	15	15		40	40	70	30	20	TO-5	150	
2N388	20	15	20		20	10	150	30	20	TO-5	150	
2N388	25	15	20		25	10	60	30	20	TO-5	150	
2N388A	40	15			40	10	60	30	20	TO-5	150	
2N438	30	25	25		30	10	25	1.0	9'	TO-5	100	
2N438A	30	25	25		30	10	25	1.0	9'	TO-5	150	
2N439	30	25	20		30	10	35	1.0	9'	TO-5	100	
2N439A	30	25	20		30	10	35	1.0	9'	TO-5	150	
2N440	30	25	15		30	10	65	1.0	9'	TO-5	100	
2N440A	30	25	15		30	10	65	1.0	9'	TO-5	150	
2N444	15		15		15	2	15	1.0	13'	TO-5	100	
2N444A	40	10	25		40	5	15	1.0		TO-5	150	
2N445	15		12		15	2	35	1.0	13'	TO-5	100	
2N446	30	10	18		30	4	35	1.0		TO-5	150	
2N446A	30	10	15		30	4	60	1.0		TO-5	150	
2N447A	30	10	12		30	4	85	1.0		TO-5	150	
2N587	40	40	20		40	50	20	200	30	TO-5	150	
2N634	20	15	15		20	5	15	200		TO-5	150	
2N534A	25	25	20		25	6	55	10	12'	TO-5	150	
2N635	20	15	15		20	5	25	200		TO-5	150	
2N635A	25	25	20		25	6	100	10	12'	TO-5	150	
2N636	20	15	15		20	5	35	200		TO-5	150	
2N636A	25	25	15		25	6	190	10	12'	TO-5	150	
2N1302	25	25	25		25	6	20	10	20	TO-5	150	
2N1302	25	25	25		25	6	20	10	20	TO-5	150	
2N1304	25	25	20		25	6	40-200	10	20	TO-5	150	
2N1304	25	25	20		25	6	40-200	10	20	TO-5	150	
2N1306	25	25	15		25	6	60-300	10	20	TO-5	150	
2N1306	25	25	15		25	6	60-300	10	20	TO-5	150	
2N1308	25	25	15		25	6	80	10	20	TO-5	150	
2N1308	25	25	15		25	6	80-400	10	20	TO-5	150	
2N1605	25	12	2Y		25	5	125	20	20	TO-5	150	
2N1605A	40	12			40	10	60	20	20	TO-5	200	
2N1730	25	20	15		25	6	30	100	20	TO-5	150	
2N1732	30	25	30		30	6	40	10	20	TO-5	150	
2N1808	25	20	25		25	5	125	20	13'	TO-5	150	
2N1892	30	25	15		30	6	30	2	20	TO-5	150	
2N1993	30	30	15		30	10	50	10	20	TO-5	150	
2N2430	32	10	32		32	10	105	50	90	TO-1	280	

Type	V_{CB0} V Max	V_{EBO} V Max	V_{CE} V Max		I_{CB0} μA Max	h_{FE} Min Max	I_C mA	C_{ob} pf Max	fab MHZ Min	Pack Outline	Power Dissipation @25°C MW
------	-----------------------	-----------------------	----------------------	--	-----------------------------	---------------------	-------------	-----------------------	-------------------	-----------------	-------------------------------------

GERMANIUM PNP MESA TRANSISTORS

2N705	15	3.5			5	3.0	25-	10		300	TO-18 ^{1,2}	300
2N705A	15	3.5			5	3.0	25-	10			TO-18 ¹	150
2N710	15	1.0			1	3.0	25-	10		300	TO-18 ¹	300
2N711	12	1.0	12		5	3.0	20-	10	7.5	150	TO-18 ¹	150
2N711A	15	1.5	7		5	1.5	25-	10	6.0	150	TO-18 ¹	150
2N711B	18	2.0	7		10	1.5	30-	10	6.0	150	TO-18 ¹	150
2N827	20	4.0			15	5.0	100-	10	9.0		TO-18 ¹	150
2N828	18	2.5			6	3.0	25-	10		300	TO-18 ¹	300

GERMANIUM PNP MESA TRANSISTORS

Type	查询"2N634A"供应商		V_{EBO} V Max	V_{CE} V Max	I_{CBO} @ V_{CB} V μ A Max	h_{FE} Min Max	I_C mA	C_{ob} pf Max	fab MHZ Min	Pack Outline	Power Dissipation @25°C MW	
	V_{CB} V Max	V_{CE} V Max										
2N828A	15	2.5			6	3.0	25-	10	4.0	300	TO-18 ¹	150
2N829	15	2.5			6	3.0	50-	10	4.0	300	TO-18 ¹	150
2N808	30	2.5			15	10.0	30-	10	4.0		TO-18 ¹	150
2N960	15	2.5	7		6	3.0	20-	10	4.0	300	TO-18 ¹	150
2N961	12	2.0	7		6	3.0	20-	10	4.0	300	TO-18 ¹	150
2N962	12	1.2	7		6	3.0	20-	10	4.0	300	TO-18 ¹	150
2N962	12	1.3	7		6	3.0	20-	10	5.0	300	TO-18 ¹	150
2N963	12	2.0			6	5.0	20-	10	5.0	300	TO-18 ¹	300
2N964	15	2.5	7		6	3.0	40-	10	4.0	300	TO-18 ¹	150
2N964	15	2.5	7		6	3.0	40-	10	5.0	300	TO-18 ¹	150
2N964A	15	2.5	7		6	3.0	48-	10	4.0	300	TO-18 ¹	150
2N965	12	2.0	7		6	3.0	40-	10	4.0	300	TO-18 ¹	150
2N966	12	1.2	7		6	3.0	40-	10	4.0	300	TO-18 ¹	150
2N967	12	2.0			6	5.0	40-	10	4.0	300	TO-18 ¹	300
2N968	15	2.5			6	3.0	17-	10	8.0	300	TO-18 ¹	150
2N969	12	2.0			6	3.0	17-	10	8.0	300	TO-18 ¹	150
2N970	12	1.2			6	3.0	17-	10	8.0	300	TO-18 ¹	150
2N971	7	1.2			6	10.0	17-	10	8.0	300	TO-18 ¹	150
2N972	15	2.5			6	3.0	40-	10	8.0	300	TO-18 ¹	150
2N973	12	2.0			6	3.0	40-	10	8.0	300	TO-18 ¹	150
2N974	12	1.2			6	3.0	40-	10	8.0	300	TO-18 ¹	150
2N975	7	1.2			6	10.0	40-	10	8.0	300	TO-18 ¹	150
2N985	15	3.0	7		5	3.0	40-	10	6.0		TO-18 ¹	300
2N2635	30	2.5	15		25	5.0	30-	10	5.0		TO-18 ¹	300
2N3449	15	1.5	6		6	3.0	20-	10	5.0		TO-18 ¹	150

¹grounded collector

GERMANIUM PNP SMALL SIGNAL TRANSISTORS

Type	V_{CBO} V Max	V_{EBO} V Max	V_{CE} V Max	I_{CBO} @ V_{CB} V μ A Max	h_{FE} Min Max	I_C mA	C_{ob} pf Max	fab MHZ Min	Outline	Power Dissipation @25°C MW	
2N43A	45	5	30	45	16	34-65	20	60	0.5	R-32	240
2N44A	45	5	30	45	16	18-43	20	60	0.5	R-32	240
2N45	25	5	25	45	16	18-43	20	60	0.5	R-32	155
2N186A	25	5	25	25	16	19-31	20		0.8†	R-32	200
2N187A	25	5	25	25	16	25-42	20		1.0†	R-32	200
2N188A	25	5	25	25	16	34-65	20		1.2†	R-32	200
2N190	25		25	25	16	34-65	20		1.0†	R-32	200
2N191	25		25	25	16	53-121	20		1.2†	R-32	200
2N192	25		25	25	16	52-176	20		1.5†	R-32	200
2N241A	25	5	25	25	16	50-125	20		1.3†	R-32	200
2N319	25	3	20	25	16	25-42	20	30	2.0†	TO-5	225
2N320	25	3	20	25	16	34-65	20	30	2.5†	TO-5	225
2N321	25	3	20	25	16	53-121	20	30	3.0†	TO-5	225
2N322	16	10	18	16	16	34-65	20	30	1.0	TO-5	200
2N323	16	10	18	16	16	53-125	20	30	1.5	TO-5	200
2N324	16	10	18	16	16	72-198	20	30	2.0	TO-5	200
2N394	30	20	15	10	6	20-150	10	20	7.0†	TO-5	150
2N394A	30	20	15	12	6	30-120	10	20	7.0†	TO-5	150
2N395	30	20	15	15	6	20-150	10	20	6.0†	TO-5	200
2N396	30	20	20	20	6	30-150	10	20	5.0	TO-5	200
2N396A	30	20	20	20	6	30-150	10	20	5.0	TO-5	200
2N397	30	20	15	15	6	40-150	10	20	10.0	TO-5	200
2N398	105	50	105	105	12	20	5		1.0†	TO-5*	50
2N398A	105	50	105	105	50	20	5		1.0†	TO-5*	150
2N404	25	12	24	12	5	30	12	20	4.0	TO-5	150
2N404A	40	25	35	12	5	30	12	20	4.0	TO-5	150
2N413	30	20	18	12	5	32-300	10		5.5	TO-5	150
2N414	30	20	15	12	5	32-300	10		5.5	TO-5	150
2N426	30	20	10	30	25	30-60	1	20	6.0	TO-5	175
2N427	30	20	15	30	25	40-80	1	20	5.0	TO-5	175
2N428	30	20	12	30	25	60	1	20	10.0	TO-5	175
2N461	45	10	33	45	15	32-100	20		4.0†		200
2N464	45	12	40	20	15	14-26	1		0.7†	TO-5	150

GERMANIUM PNP SMALL SIGNAL TRANSISTORS

查询"2N634A"供应商

Type	V_{CBO} V Max	V_{EBO} V Max	V_{CE} V Max	I_{CB} @ V_{CB} V	I_{CB} μ A Max	h_{FE} Min Max	@ I_C mA	C_{ob} pf Max	f_{ab} MHZ Min	Outline*	Power Dissipation @ 25°C MW
2N465	45	12	30	20	15	27-45	1		0.8†	TO-5	150
2N466	35	12	20	20	15	56-90	1		1.0†	TO-5	150
2N467	35	12	15	20	15	112-180	1		1.2†	TO-5	150
2N508	20	10	18	20	6	99-198	20	35	2.5	TO-5	200
2N508A	30	10	25	25	7	100-200	20	35	2.5	TO-5	200
2N522	15	10	8	15	2	120	1		15.0	TO-5	100
2N524	30	15	30	30	10	25-42	20	40	0.8	TO-5	225
2N525	45	15	30	30	10	34-65	20	40	1.0	TO-5	225
2N526	45	15	30	30	10	53-90	20	40	1.3	TO-5	225
2N527	45	15	30	30	10	72-121	20	40	1.5	TO-5	225
2N580	20	12	15	20	5	30	400	30	10.0	TO-5	120
2N581	18	10	15	15	6	20	20	30	4.0	TO-5	80
2N650	45	30	30	30	10	33	10	25	0.75	TO-5	200
2N651	45	30	30	30	10	45	10	25	1.0	TO-5*	200
2N652	45	30	30	30	10	80	10	25	1.25	TO-5	200
2N653	30	25	25	25	15	20	10	25	1.5†	TO-5	200
2N654	30	25	25	25	15	40	10	25	2.0†	TO-5	200
2N655	30	25	25	25	15	70	10	25	2.5†	TO-5	200
2N658	25	12	16	25	25	25-80	10	12	2.5	TO-5	167
2N659	25	12	14	25	25	40-110	10	12	5.0	TO-5	167
2N660	25	12	11	25	25	60-150	10	12	10.0	TO-5	167
2N661	25	12	9	25	25	75	10	12	15.0	TO-5	167
2N662	25	12	11	25	25	50	10	12	4.0	TO-5	167
2N1057	45	5	45	45	16	34-90	20	60	0.5	R-32	240
2N1097	16	5	18	16	16	34-90	20	35	1.0	TO-5	200
2N1098	18	5	18	16	16	25-90	20	35	1.0	TO-5	200
2N1144	16		16	16	16	34-90	20	40	1.0	R-32	175
2N1145	16		16	16	16	25-90	20	40	1.0	R-32	175
2N1175	35	10	25	30	12	70-140	20	40	1.5	TO-5	200
2N1175A	35	10	25	30	12	70-140	20	40	1.5	TO-5	200
2N1273	15	10	15	15	14	27-165	50			TO-5	250
2N1274	25	10	15	25	14	27-165	50			TO-5	250
2N1303	30	25	25	25	6	20	10	20	3.0	TO-5	150
2N1305	30	25	20	25	6	40-200	10	20	5.0	TO-5	150
2N1307	30	25	15	25	6	60-300	10	20	10.0	TO-5	150
2N1309	30	25	15	25	6	80	10	20	15.0	TO-5	150
2N1370	25	10	25	20	14	45-165	50		2.0	TO-5	225
2N1371	45	10	45	20	14	45-165	50		2.0	TO-5	250
2N1372	25	15	25	20	7	27-105	50		2.0	TO-5	250
2N1373	45	25	45	20	7	27-105	50		2.0	TO-5	250
2N1374	25	15	25	20	7	45-165	50		2.0	TO-5	250
2N1375	45	25	45	20	7	45-165	50		2.0	TO-5	250
2N1376	25	15	25	20	7	67-165	60		2.0	TO-5	250
2N1377	45	25	45	20	7	67-165	50		2.0	TO-5	250
2N1378	12	7	12	12	7	85-330	50		2.0	TO-5	250
2N1379	25	15	25	20	7	85-330	50		2.0	TO-5	250
2N1380	12	7	12	12	14	27-330	50		2.0	TO-5	250
2N1381	25	15	25	20	14	27-330	50		2.0	TO-5	250
2N1382	25	15	25	20	14	40-165	50		2.0	TO-5	250
2N1383	25	15	25	20	14	27-165	50		2.0	TO-5	250
2N1404	25	20	25	25	5	100	24	8	4.0	TO-5	150
2N1413	35	10	25	30	12	35-42	20	40	0.8	TO-5	200
2N1414	35	10	25	30	12	34-65	20	40	1.0	TO-5	200
2N1415	35	10	25	30	12	53-90	20	40	1.3	TO-5	200
2N1614	70	12	60	70	23	18-43	20	60	0.5	R-32	240
2N1924	60	25	40	45	10	34-65	20	30	1.0	TO-5	225
2N1925	60	25	40	45	10	53-90	20	30	1.3	TO-5	225
2N1926	60	25	40	45	10	72-121	20	30	1.5	TO-5	225
2N1997	45	45	40	45	25	40-200	100	20	3.0	TO-5	250
2N1998	35	30	35	35	25	70-225	100	20	5.6	TO-5	250
2N1999	30	20	20	30	25	100-350	100	20	10.0	TO-5	250
2N2000	50	20	15	30	10	50-300	100	35	2.0	TO-5	300
2N2001	30	20	15	15	6	100	100	35	6.0	TO-5	300
2N2042	105	75	105	105	25	20-50	5	25	0.5	TO-5	200
2N2043	105	75	105	105	25	400-100	5	25	0.75	TO-5	200
2N2374	35	35	35	35	5	100-300	100	14	15.0	TO-5	250
2N2375	35	35	35	35	5	35-110	100	20		TO-5	250
2N2376	35	35	35	35	5	35-110	100	20		TO-5	250

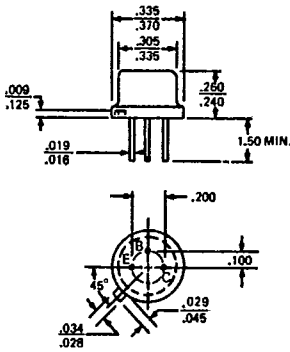
NOTES: *Under Outline indicates TO-5 Isolated †Indicates Typical Value
Germanium Power Devices Corporation

GERMANIUM POWER TRANSISTORS

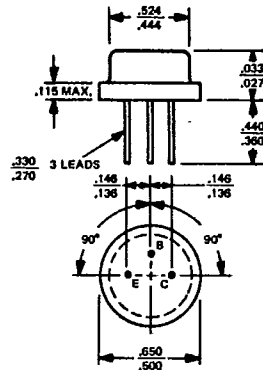
[查询"2N634A"供应商](#)

CASE OUTLINE DRAWINGS & DIMENSIONS

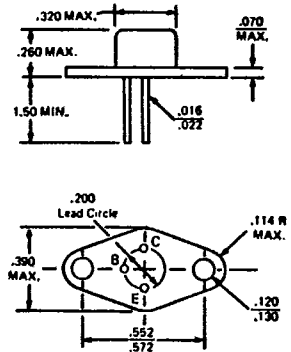
TO-5



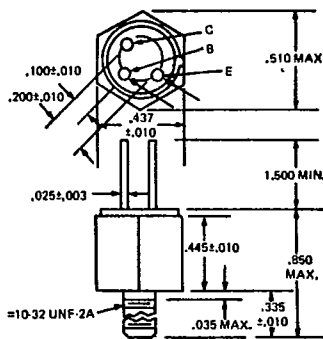
TO-8



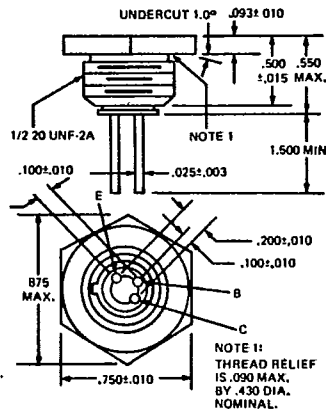
TO-37



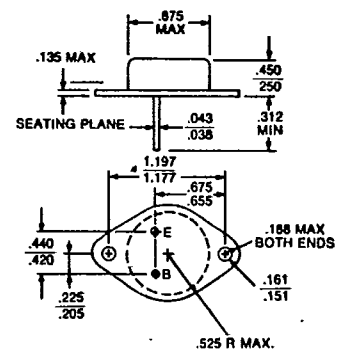
MT-27



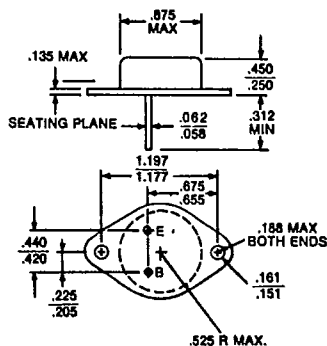
MT-28



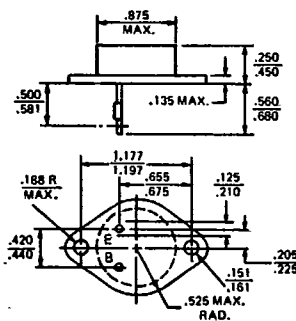
TO-3



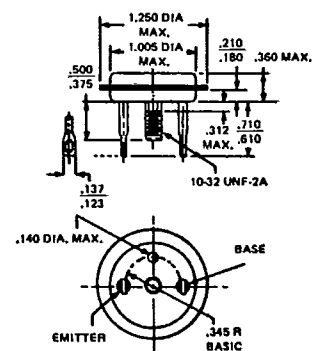
MODIFIED TO-3
(60 mil pins)



TO-41



TO-36



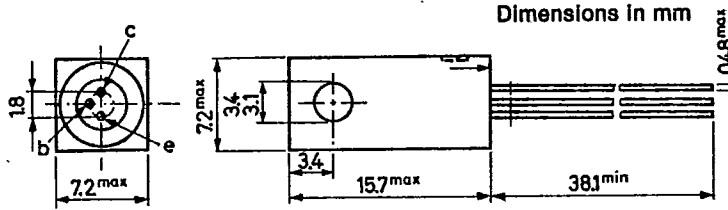
GERMANIUM POWER TRANSISTORS

查询"2N634A"供应商

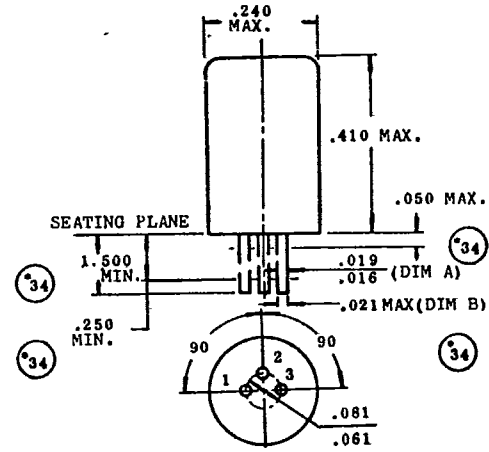
T-91-20

CASE OUTLINE DRAWINGS & DIMENSIONS

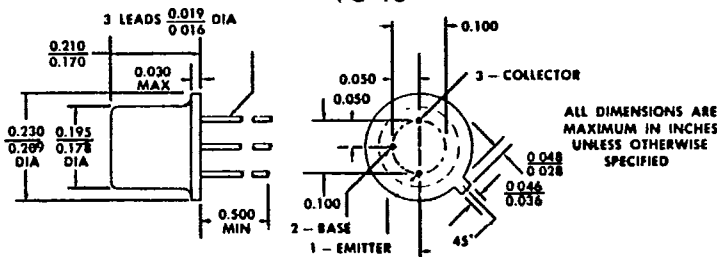
NS257



TO-1

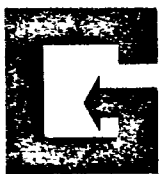


TO-18



THE COLLECTOR IS ELECTRICAL CONTACT WITH THE CASE.

ALL JEDEC TO-18 DIMENSIONS AND NOTES ARE APPLICABLE.



GERMANIUM POWER DEVICES CORP.

Shetland Industrial Center, Building 4 · York Street · P.O. Box 3065
 Shawsheen Village Station · Andover, Massachusetts 01810
 Telephone (508) 475-5982 · Telex 94-7150
 FAX (508) 470-1512