

Features

- Snap-in installation
- Fully sealed
- Full-rate ADSL Splitter/Filter
- Fits 2003/2006 style NIDs
- Fast service deployment
- Expandability and flexibility

3612 – ADSL Module

As part of Bourns® Integrated Protection Assembly (IPA) product family, the 3612 Module is designed to simplify the deployment of ADSL service at the subscriber’s network interface (NID). ANSI T1.413 compliant, the 3612 accepts the incoming ADSL service, filters off the voice (POTS) band and provides a connection for DSL data service (ADSL modem). In the event of power loss, the passive filter design allows for lifeline POTS service.

The rugged IPA ADSL Module is installed outdoors in 2006 style NIDs (Network Interface Devices). Combined with our 2360 series IPA MSP® Multi-Stage Protection Modules, the Bourns® products provide a complete DSL deployment package providing safe and reliable service, flexibility, expandability and optimal data rates.

Characteristics

DC Loop Current	0 to 100 ma
DC Loop Voltage	0 to -60 V
DC Resistance	≤25 ohms
Insertion Loss	<1.0 dB (25 kHz -1.104 MHz)
Attenuation Distortion (Voice Band)	< +/- 0.5 dB
Delay Distortion (Voice Band)	<200 μs
Return Loss (Voice Band)	6 dB ERL; 5 dB SRL-Low 3.0 dB SRL-High
Longitudinal Balance, Two Port Technique, POTS to line port (U-R); Line port to POTS	>53 dB @ 0.2 - 1 kHz >58 dB @ 3kHz
ADSL Band Attenuation	>65 dB @ 30 kHz-300 kHz >55 dB @ 300 kHz -1.104 MHz
Tip to Ring Capacitance (POTS Port)	<100 nf
Input Impedance (Loading to the ADSL Band)	<0.25 dB 30 kHz -1.104 MHz

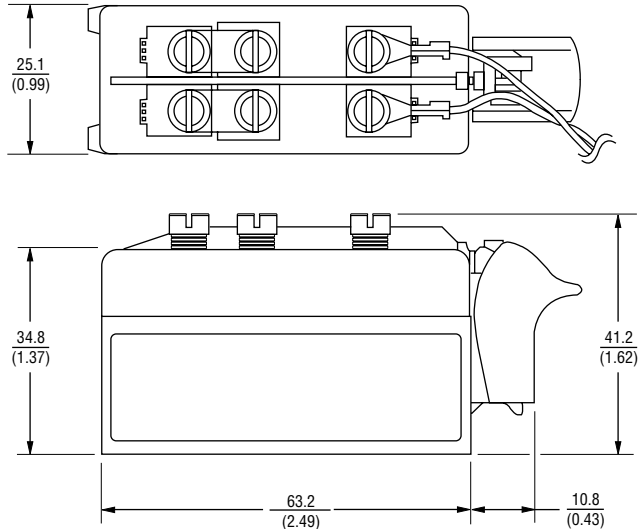
Related IPA Products

IPA Station Protectors
Part No.
 2360-35-xx

How To Order

..... Part #3612

Product Dimensions



Reliable Electronic Solutions

Asia-Pacific:
 TEL +886-2 25624117
 FAX +886-2 25624116
Europe:
 TEL +41-41 7685555
 FAX +41-41 7685510
North America:
 TEL +1-951 781-5500
 FAX +1-951 781-5700
www.bourns.com

REV. C 09/04
 "Bourns" and "MSP" are registered trademarks of Bourns, Inc.
 Specifications are subject to change without notice.
 Customers should verify actual device performance in their specific applications.