

KR Electronics

General Description

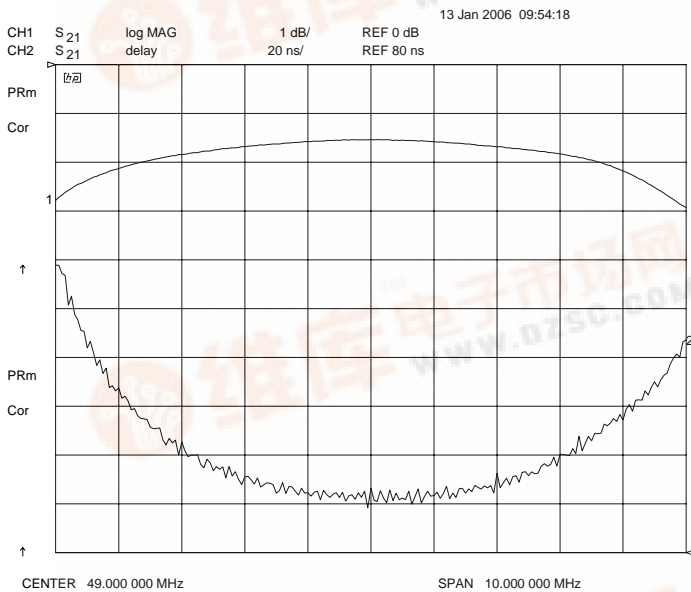
KR 2643 is a 49 MHz bandpass filters with a minimum 3 dB bandwidth of 10 MHz. Other passband frequencies are available. Also available in a surface mount package. Please consult the factory.

Features

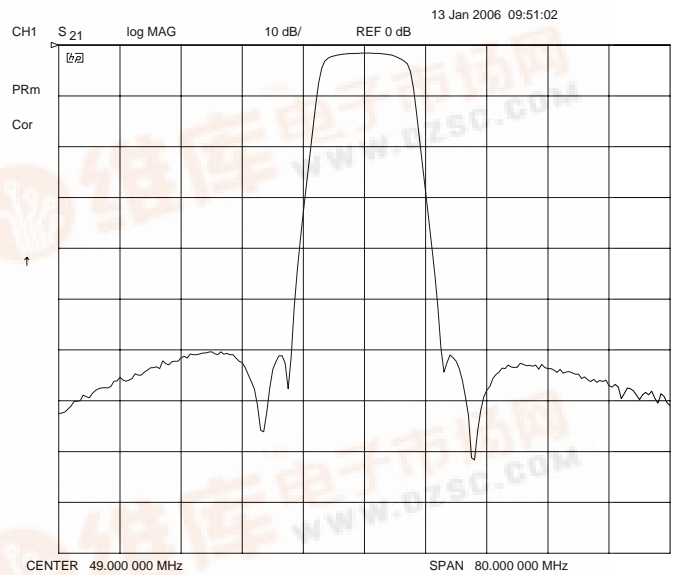
- 49 MHz Bandpass
- 10 MHz Bandwidth
- High Stopband Attenuation
- 50 Ω Source and Load
- Surface Mount Package

Typical Performance

Passband Amplitude & Group Delay
(1 dB/div and 20 nsec/div)



Overall Response
(10 dB/div)



KR Electronics, Inc.
91 Avenel Street
Avenel, NJ 07001

Web www.krfilters.com
Email sales@krfilters.com
Phone (732) 636-1900
Fax (732) 636-1982

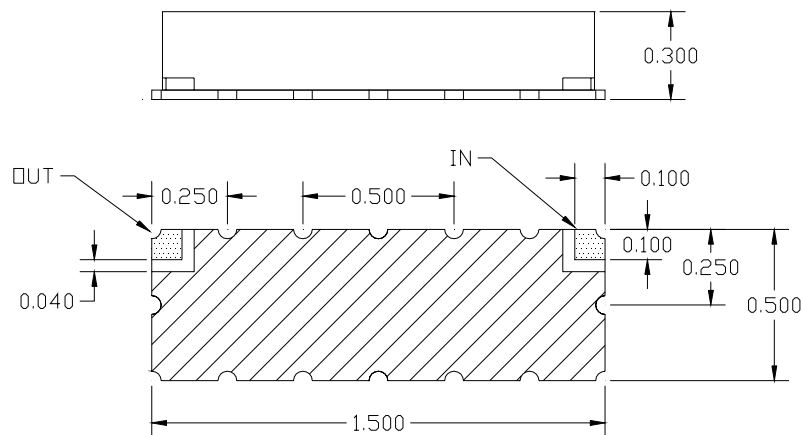


KR 2643 Bandpass

Specifications

Parameter	Specification
Filter type	Bandpass
Center Frequency	49 MHz
Insertion Loss	< 3 dB (< 1.5 dB Typical)
3 dB Bandwidth	> 10 MHz
Attenuation at 39 MHz	> 50 dB
Attenuation at 59 MHz	> 50 dB
Source & Load	50 Ω

Physical Dimensions



Notes:

1. Surface mount package — Metal cover (can also be supplied in an package with SMA Connectors)
2. Dimensions in inches
3. Use SN60 or SN63 solder during installation. Maximum reflow temperature is 209° C for 15 sec maximum.
4. If boards are cleaned after installation, units must be completely dried to remove any entrapped moisture.