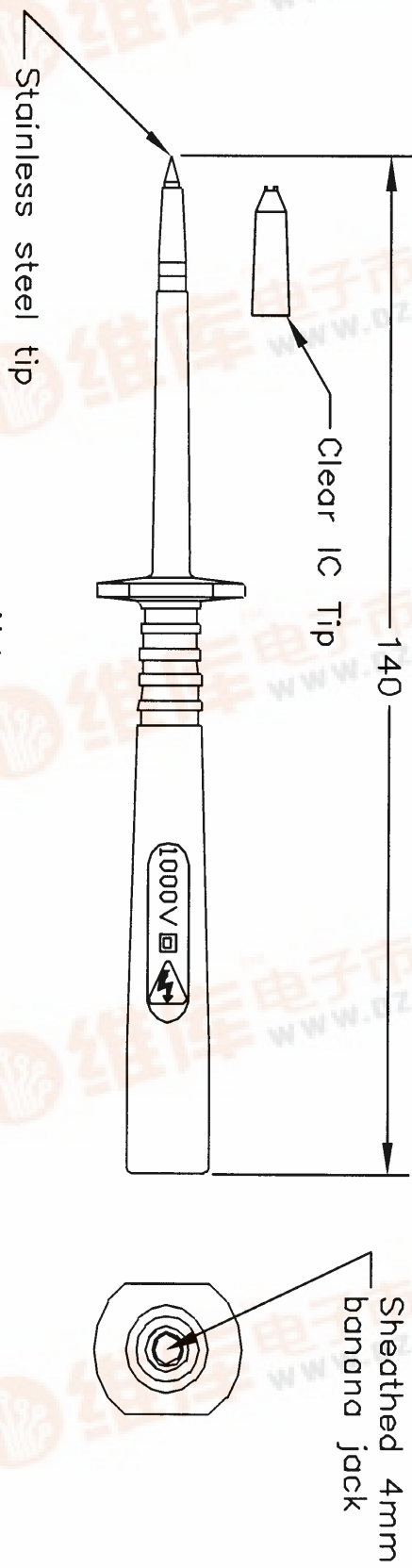


3421685

ALL RIGHTS RESERVED. NO PORTION OF THIS PUBLICATION, WHETHER IN WHOLE OR IN PART CAN BE REPRODUCED WITHOUT THE EXPRESS WRITTEN CONSENT OF SPC TECHNOLOGY.

REVISIONS		DCP No. SPC-r005	Effective 12/21/98	DCP No. 980				
DCP #	REV	DESCRIPTION	DRAWN	DATE	CHECKD	DATE	APPRVD	DATE
815	A	Released	JNM	3/22/99	JC		DJC	



- Notes
1. Rated: 1000VCATIII P2; 20A, 50 milliohms complies with IEC1010
 2. Materials: Body - Polyimide (Nylon)
Tip - Stainless Steel
Jack - Brass
 3. Internal Resistance: <5 milliohms
 4. Operating Temperature: -20 °C ~ +80 °C

查询"16F7702"供应商

SPC-r005.DWG

3000 LABORATORY ALL INFORMATION AND TECHNICAL INFORMATION CONTAINED HEREIN ARE BASED UPON INFORMATION AND/OR TESTS WE BELIEVE TO BE ACCURATE AND RELIABLE. SINCE CONDITIONS OF USE ARE BEYOND OUR CONTROL, THE USER SHALL DETERMINE THE SUITABILITY OF THE PRODUCT FOR THE INTENDED USE AND ASSUME ALL RISK AND LIABILITY WHATSOEVER IN CONNECTION THEREWITH.

UNLESS OTHERWISE SPECIFIED, DIMENSIONS ARE FOR REFERENCE PURPOSES ONLY.

DRAWN BY:	Jeff McVicker	DATE:	3/22/99
CHECKED BY:	John Cole	DATE:	
APPROVED BY:	Daniel Corey	DATE:	

TENMA
CORPORATION

DRAWING TITLE: Sharp Tip Test Probe Body - Black

SIZE: A
DWG. NO.: 76-031
ELECTRONIC FILE: 16F7702.dwg

SCALE: NTS

U.O.M.: Millimeters

SHEET: 1 OF 1

