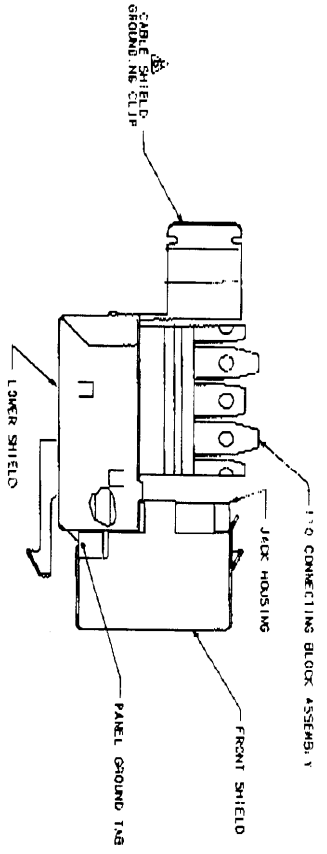
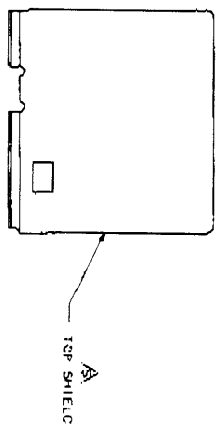
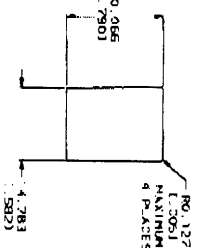
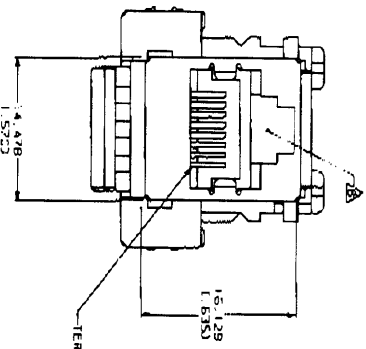


524-931

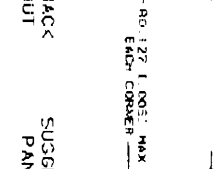
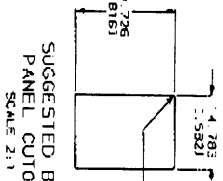


ELECTRICAL SCHEMATIC

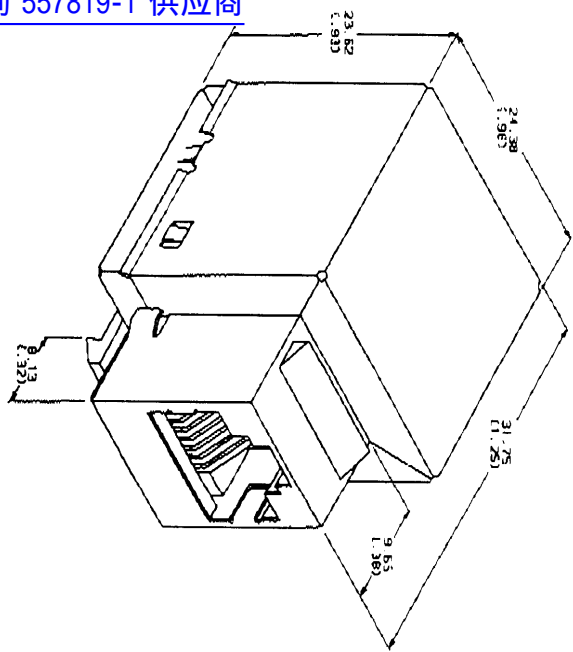
COLOR	110	MODULAR JACK
BLU-WHT	5	5
GRN-WHT	4	4
ORN-WHT	3	3
WHT-BRN	2	2
BRN-WHT	1	1



WHEN USING A SINGLE
 1.473-1.600 (L.058-.063) THICK PANEL
 SCALE 2:1



- △ MATERIALS, HOUSING: POLYETHYLENE OXIDE, 94V-0 RATED, BLACK.
- △ 110 BLOCKS: POLYCARBONATE, 94 V-0 RATED.
- △ JACK CONTACTS: PHOSPHOROUS BRONZE WITH 1.27um (.000050) MINIMUM GOLD OVER SHIELDS- BRASS, BRIGHT TIN-LEAD PLATED.
- △ 110 BLOCK WILL TERMINATE 22-26 AWG ENCLD CONDUCTORS OR 20-26 AWG 7 STRAND CONDUCTORS.
- △ MAXIMUM CABLE DIAMETER 5.10 (L.2493).
- △ HOUSING PANEL THICKNESS 1.57 (L.0682) NOMINAL.
- △ TOP SHIELD SHIPPED NOT ASSEMBLED.
- △ GROUNDING CLIP IS FOLDED INTO HOUSING BETWEEN 110 BLOCKS BEFORE ASSEMBLING UPPER SHIELD.
- △ PACKAGED ONE MODULAR JACK ASSEMBLY & ONE TOP SHIELD PER POLY BAG, IDENTIFY-TYPE POLYBAGS PER CARTON.
- △ CIVITY CONFORMS TO FCC RULES AND REGULATIONS PART 68 SUBPART F REQUIREMENTS.
- △ THESE TWO SUGGESTED CUTOUT OPENINGS ARE USED IN tandem WITH DUAL FRONT & BACK CUTOUTS.



REV	DATE	BY	CHKD	DESCRIPTION
1	11/13/82	569013	569013	REVISED TO ADD DIMENSIONS FOR 110 BLOCKS
2	11/13/82	569013	569013	REVISED TO ADD DIMENSIONS FOR 110 BLOCKS
3	11/13/82	569013	569013	REVISED TO ADD DIMENSIONS FOR 110 BLOCKS
4	11/13/82	569013	569013	REVISED TO ADD DIMENSIONS FOR 110 BLOCKS

查询"557819-1"供应商