

LQ150X1LW71N

TFT-LCD Module

Spec. Issue Date: Sept 2, 2005

No: LD-15218A

PREPARED BY : DATE

SHARP

SPEC No. LD-15218A

FILE No.

ISSUE : SEP. 2.2005

PAGE : 20 pages

APPROVED BY: 豊崎 隆彦 (豊崎 隆彦 供應商)

Mobile Liquid Crystal Display GROUP
SHARP CORPORATION
SPECIFICATION

APPLICABLE GROUP
Mobile Liquid Crystal Display
Group

DEVICE SPECIFICATION

TFT-LCD Module

MODEL

LQ150X1LW71N

These parts have corresponded with the RoHS directive.

CUSTOMER'S APPROVAL

DATE _____

BY _____

PRESENTED

BY K. Shiono

K. SHIONO

Department General Manager

Engineering Department 7

MOBIL LCD DESIGN CENTER 1

MOBIL LIQUID CRYSTAL DISPLAY GROUP

SHARP Corporation

△1

RECORDS OF REVISION

LQ150X1LW71N

SPEC No. 查询 LQ150X1LW71N 供应商	DATE	REVISED No.	PAGE	SUMMARY	NOTE
LD-15218	FEB. 24. 2003				1st Issue
LD-15218A	SEP. 2. 2005	1	COVER	Add the document about the ROHS directive ----- Post name change Development Engineering Department 2 AVC Liquid Crystal Display Division AVC Liquid Crystal Display Group SHARP Corporation <div style="text-align: center;">↓</div> Engineering Department 7 MOBILE LCD DESIGN CENTER 1 MOBILE LIQUID CRYSTAL DISPLAY GROUP SHARP Corporation	
			18	Add 「 R.C.mark (for RoHS)」 at packing form	

1. Application

This specification applies to the color 15.0 XGA TFT-LCD module LQ150X1LW71N.

[查询"LQ150X1LW71N"供应商](#)

These specification sheets are the proprietary product of SHARP CORPORATION("SHARP) and include materials protected under copyright of SHARP. Do not reproduce or cause any third party to reproduce them in any form or by any means, electronic or mechanical, for any purpose, in whole or in part, without the express written permission of SHARP.

The device listed in this technical literature was designed and manufactured for use in OA equipment.

In case of using the device for applications such as control and safety equipment for transportation(aircraft, trains, automobiles, etc.), rescue and security equipment and various safety related equipment which require higher reliability and safety, take into consideration that appropriate measures such as fail-safe functions and redundant system design should be taken.

Do not use the device for equipment that requires an extreme level of reliability, such as aerospace applications, telecommunication equipment(trunk lines), nuclear power control equipment and medical or other equipment for life support.

SHARP assumes no responsibility for any damage resulting from the use of the device which does not comply with the instructions and the precautions specified in these specification sheets.

Contact and consult with a SHARP sales representative for any questions about this device.

2. Overview

This module is a color active matrix LCD module incorporating amorphous silicon TFT (Thin Film Transistor). It is composed of a color TFT-LCD panel, driver ICs, control circuit, power supply circuit and a back light unit. Characters and texts can be displayed on a 1024 × RGB × 768 dots panel with about 16 million colors by using LVDS (Low Voltage Differential Signaling) and supplying +3.3V DC supply voltages for TFT-LCD panel driving and supply voltage for backlight.

It is a wide viewing-angle-module

(Vertical viewing angle:170 ° Horizontal viewing angle:170 ° ,CR 10).

3. Mechanical Specifications

Parameter	Specifications	Unit
Display size	38 (Diagonal)	cm
	15.0 (Diagonal)	Inch
Active area	304.1 (H) × 228.1 (V)	mm
Pixel format	1024 (H) × 768 (V)	Pixel
	(1 pixel = R+G+B dots)	
Pixel pitch	0.297 (H) × 0.297 (V)	mm
Pixel configuration	R, G, B vertical stripe	
Display mode	Normally black	
Unit outline dimensions *1	331.6(W) × 254.76(H) × 12.5(D)	mm
Mass	1300(MAX)	g
Surface treatment	Anti-glare and hard-coating 3H (Haze value = 25)	

*1.Note: excluding back light cables.

The thickness of module (D) doesn't contain the projection.

Outline dimensions are shown in Fig.1.

4. Input Terminals

4-1. TFT-LCD panel driving

CN1 (Interface signals and +3.3V DC power supply)

Using connectors : DF14H-20P-1.25H (Hirose Electric Co., Ltd.)
[查询"Q150X1LW71N"供应商](#) : DF14-20S-1.25C(Connector)

DF14-2628SCFA(Terminal)

Using LVDS Receiver : Contained in a control IC. [THC63LVDF84A(Thine) compatible]

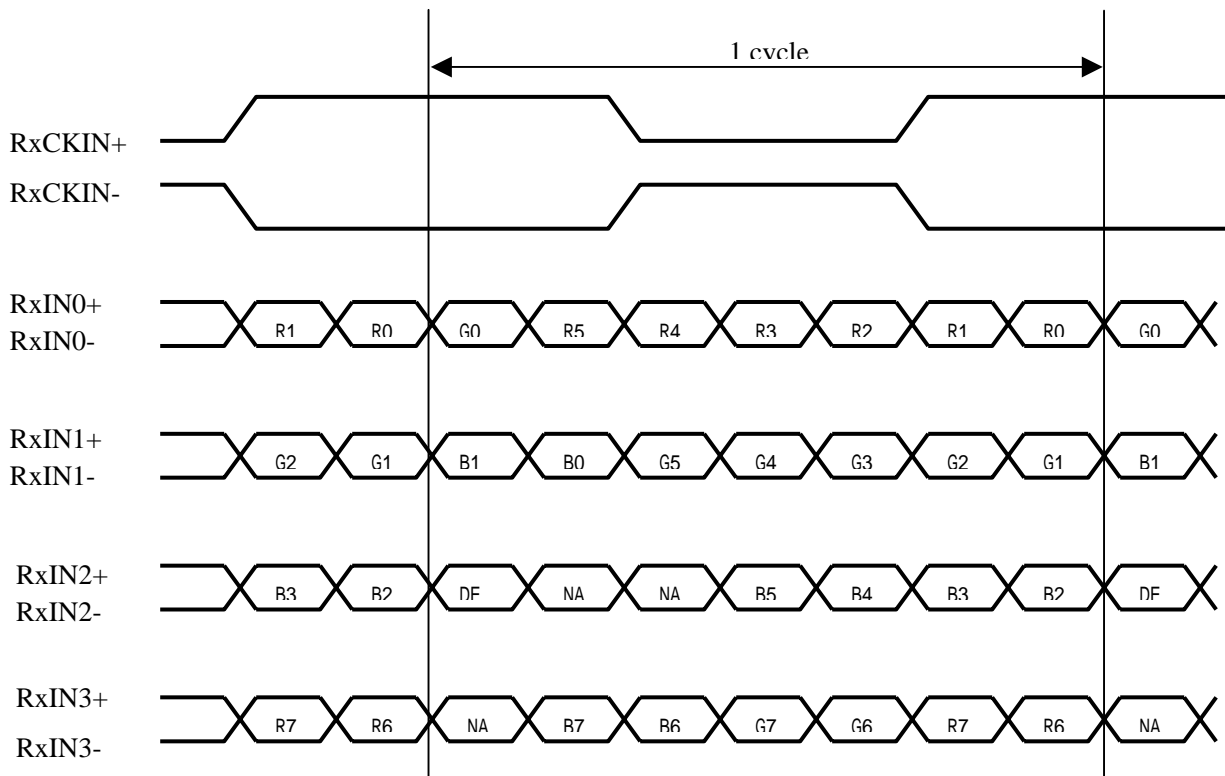
Corresponding LVDS Transmitter : THC63LVDM83R(Thine) or compatible

Pin No.	Symbol	Function	Remark
1	Vcc	+3.3V Power supply	
2	Vcc	+3.3V Power supply	
3	GND	Ground	
4	GND	Ground	
5	Rx0-	LVDS CH0 data signal (-)	LVDS
6	Rx0+	LVDS CH0 data signal (+)	LVDS
7	GND	Ground	
8	Rx1-	LVDS CH1 data signal (-)	LVDS
9	Rx1+	LVDS CH1 data signal (+)	LVDS
10	GND	Ground	
11	Rx2-	LVDS CH2 data signal (-)	LVDS
12	Rx2+	LVDS CH2 data signal (+)	LVDS
13	GND	Ground	
14	CK-	LVDS CK- data signal (-)	LVDS
15	CK+	LVDS CK+ data signal (+)	LVDS
16	GND	Ground	
17	Rx3-	LVDS CH3 data signal (-)	LVDS
18	Rx3+	LVDS CH3 data signal (+)	LVDS
19	GND	Ground	
20	GND	Ground	

DATA Mapping

[查询"LQ150X1LW71N"供应商](#)

Transmitter		Input Signal
Pin No.	Data	
51	TA0	R0 (LSB)
52	TA1	R1
54	TA2	R2
55	TA3	R3
56	TA4	R4
3	TA5	R5
4	TA6	G0 (LSB)
6	TB0	G1
7	TB1	G2
11	TB2	G3
12	TB3	G4
14	TB4	G5
15	TB5	B0 (LSB)
19	TB6	B1
20	TC0	B2
22	TC1	B3
23	TC2	B4
24	TC3	B5
27	TC4	(NA)
28	TC5	(NA)
30	TC6	DE
50	TD0	R6
2	TD1	R7 (MSB)
8	TD2	G6
10	TD3	G7 (MSB)
16	TD4	B6
18	TD5	B7 (MSB)
25	TD6	(NA)

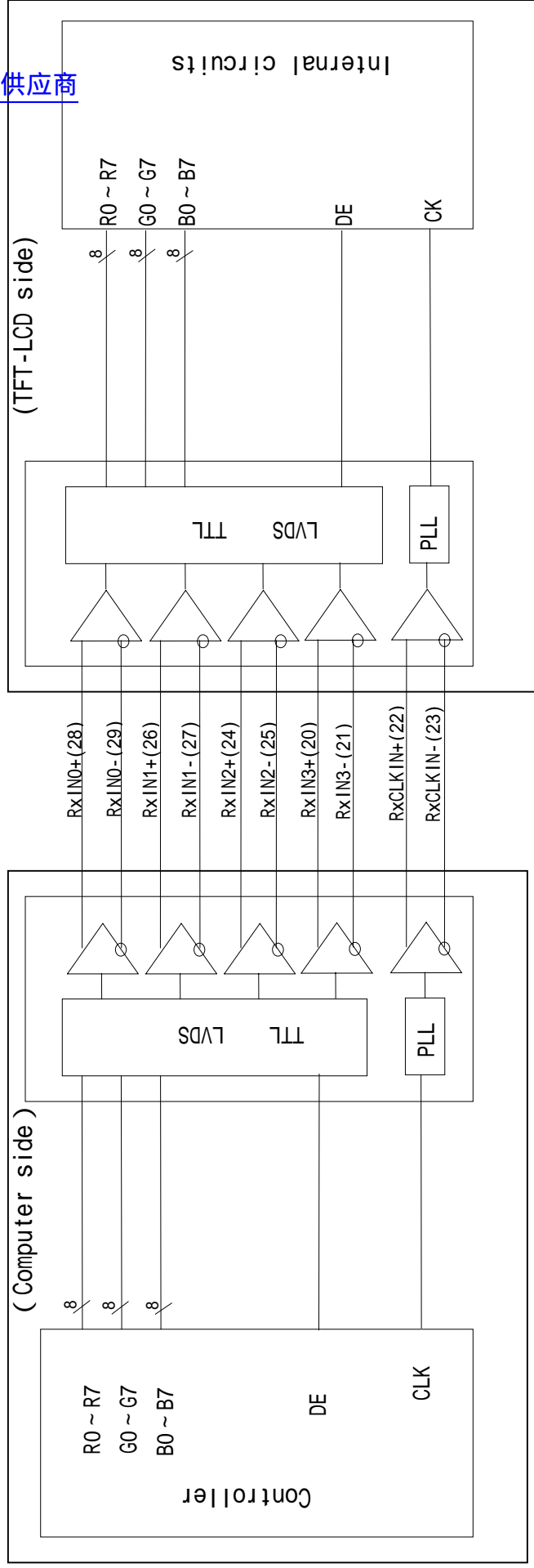


[查询"LQ150X1LW71N"供应商](#)

4-2 Interface block diagram

Using receiver : Contained in a control IC.

Corresponding Transmitter : THC63LVDM83A(THine electronics), DS90C383, DS90C383A(National semiconductor)



4-2. Backlight

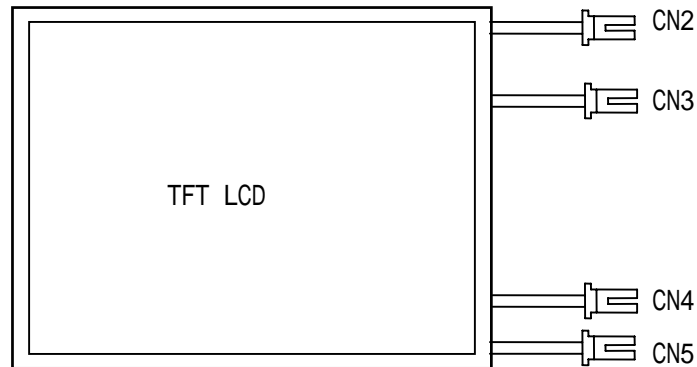
CN 2, 3, 4, 5

The module-side connector : BHSR-02VS-1 (JST)

[查询"LQ150X1LW71N"供应商](#)

The user-side connector : SM02B-BHSS-1-TB (JST)

Pin no.	symbol	Function
1	V _H	Power supply for lamp (High voltage side)
2	GND	Ground



5. Absolute Maximum Ratings

Parameter	Symbol	Condition	Ratings	Unit	Remark
Supply voltage	V _{CC}	T _a =25	0 ~ +4.0	V	
Storage temperature	T _{STG}	-	-25 ~ +60		【Note1】
Operating temperature (Ambient)	T _{OPA}	-	0 ~ +50		

【Note1】 Humidity : 95%RH Max. (T_a 40)

Maximum wet-bulb temperature at 39 or less. (T_a>40)

No condensation.

6. Electrical Characteristics

6-1. TFT-LCD panel driving

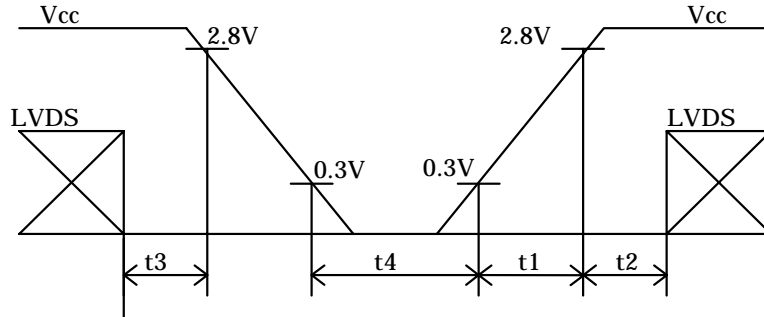
Ta = 25

Parameter		Symbol	Min.	Typ.	Max.	Unit	Remark
V _{CC}	Supply voltage	V _{CC}	+3.0	+3.3	+3.6	V	【Note1】
	Current dissipation	I _{CC}	-	630	850	mA	【Note2】
Permissive input ripple voltage		V _{RF}	-	-	100	mVp-p	V _{CC} =+3.3V
Terminate Resister		R _T		100			

【Note1】

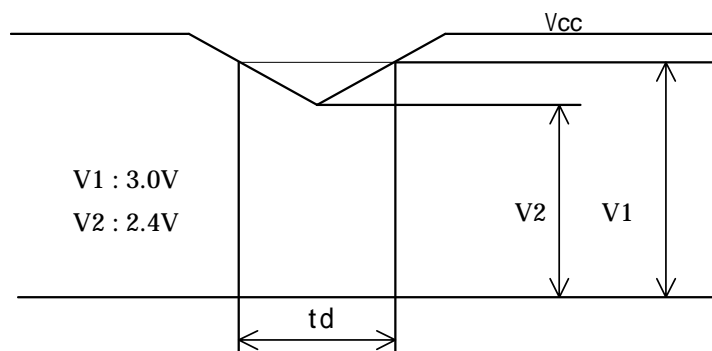
1) On-off sequences of V_{CC} and data

- 0 < t₁ 60ms
- 0 < t₂ 10ms
- 0 t₃ 1s
- t₄ 100ms



2) Dip conditions for supply voltage

- 1) V₂ V_{CC} < V₁
t_d 10ms
- 2) V_{CC} < V₂
V_{CC}-dip conditions should also follow the on-off conditions.



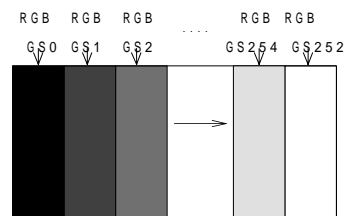
【Note2】 Typical current situation : 253-gray-bar pattern

V_{CC}=+3.3V, CK=65MHz

Gray scale : GS(n)

n=0 ~ 252

The explanation of each gray scale, GS(n), is described below section 8.



6-2. Backlight

The back light system is an edge-lighting type with 4 CCFTs (Cold Cathode Fluorescent Tube).

The characteristics of the lamp are shown in the following table.

The value mentioned below is at the case of one CCFT.

查询"Q150X1LW71N"供应商

CCFT Model Name : KTBE222MSTF-320MA262-Z (STANLEY ELECTRIC CO., LTD.)

Parameter	Symbol	Min.	Typ.	Max.	Unit	Remark
Lamp current range	I_L	3.5	6.5	7.5	mArms	【Note1】
Lamp voltage	V_L	-	615	700	Vrms	Ta=25 ,IL=6.5mArms
Lamp power consumption	P_L	-	4.0	4.55	W	【Note2】 ,IL=6.5mArms
Lamp frequency	F_L	40	60	70	KHz	【Note3】
Kick-off voltage	V_s	-	-	1080	Vrms	Ta=25 【Note4】
		-	-	1480	Vrms	Ta=0 【Note4】
Lamp life time	T_L	50,000	-	-	Hour	IL=6.5mArms 【Note5】

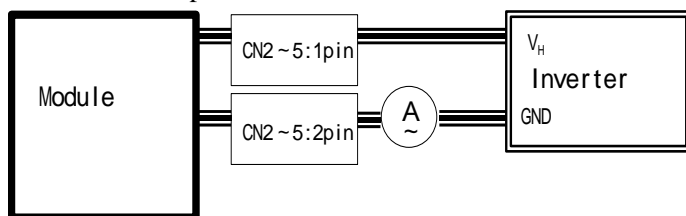
【Note1】 A lamp can be light in the range of lamp current shown above.

Maximum rating for current is measured by high frequency current measurement equipment connected to V_{LOW} at circuit showed below.

(Note : To keep enough kick-off voltage and necessary steady voltage for CCFT.)

Lamp frequency : 40 ~ 70kHz

Ambient temperature : 0 ~ 50



【Note2】 Referential data per one CCFT by calculation ($I_L \times V_L$).

The data does not include loss at inverter .

【Note3】 Lamp frequency of inverter may produce interference with horizontal synchronous frequency, and this may cause horizontal beat on the display. Therefore, adjust lamp frequency, and keep inverter as far as from module or use electronic shielding between inverter and module to avoid interference.

【Note4】 Kick-off voltage value is described as the index in the state of lamp only.

The kick-off voltage is estimated to be risen up as approx. +200V in the state of module only, and the further rise up can be seen according to the assembling status of user cabinet. Please set the kick-off voltage of inverter to avoid the lighting failures in the state of operation. Please design the inverter so that its open output voltage can be connected for more than 1 second to startup. Otherwise, the lamp may not be turned on. But, please set as 100ms when the ambient luminance around the lamp is more than 1lux.

【Note5】 Lamp life time is defined as the time when either or occurs in the continuous operation under the condition of Ta=25 and the lamp current value indicated to the Remark .

Brightness becomes 50% of the original value under standard condition.

Kick-off voltage at Ta=0 exceeds maximum value,1480Vrms .

《Note》

The performance of the backlight, for example lifetime or brightness, is much influenced by the characteristics of the DC-AC inverter for the lamp. When you design or order the inverter, please make sure that a poor lighting caused by the mismatch of the backlight and the inverter (miss-lighting, flicker, etc.) never occurs. When you confirm it, the module should be operated in the same condition as it is installed in your instrument.

Use the lamp inverter power source incorporating such safeguard as overvoltage / overcurrent protective circuit or lamp voltage waveform detection circuit, which should have individual control of each lamp.

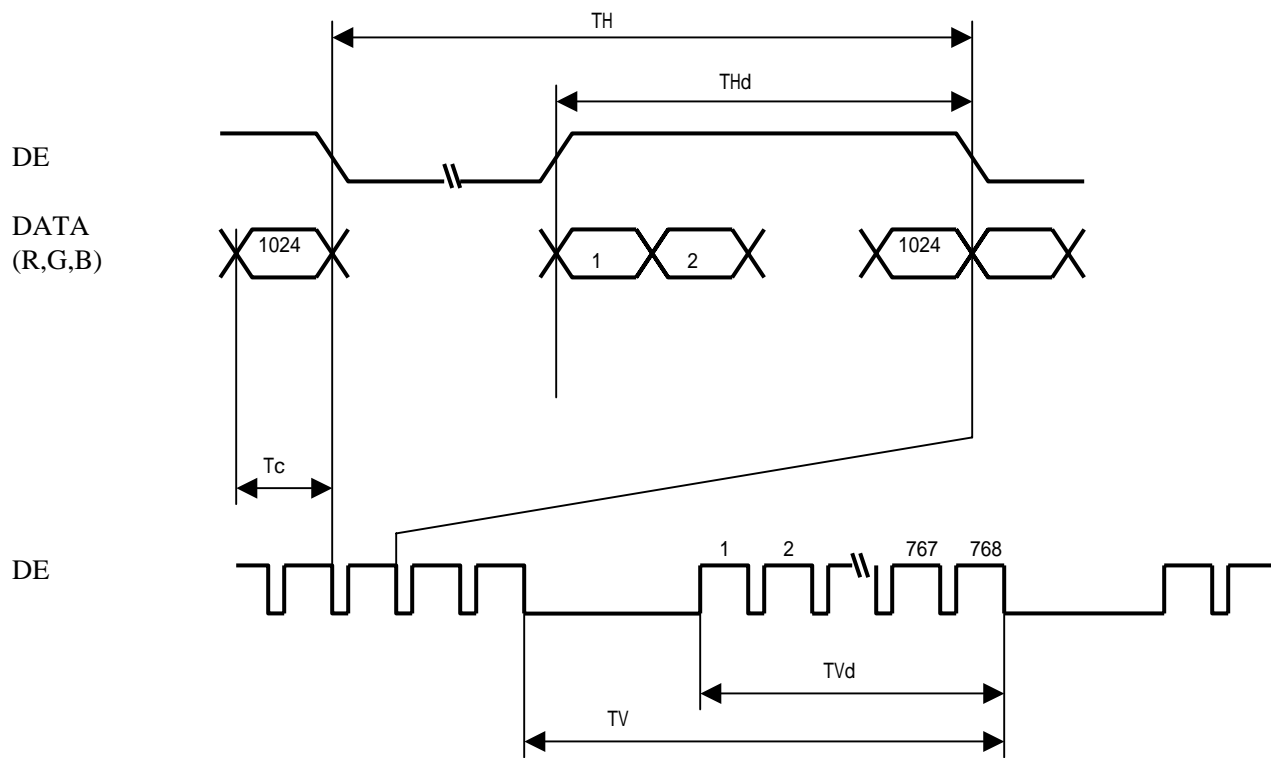
In case one circuit without such individual control is connected to more than two lamps, excessive current may flow into one lamp when the other one is not in operation.

7. Timing characteristics of input signals

7-1-1. Timing characteristics

Parameter	Symbol	Min.	Typ.	Max.	Unit	Remark
Frequency	1/Tc	60	65	85	MHz	
Horizontal period	TH	1056	1344	1720	clock	
		16.0	20.7	23.4	μs	
Horizontal period (High)	THd	1024		1024	clock	
Vertical period	TV	773	806	1008	line	【Note】
		13.3	16.7	18.1	ms	
Vertical period (High)	TVd	768		768	line	

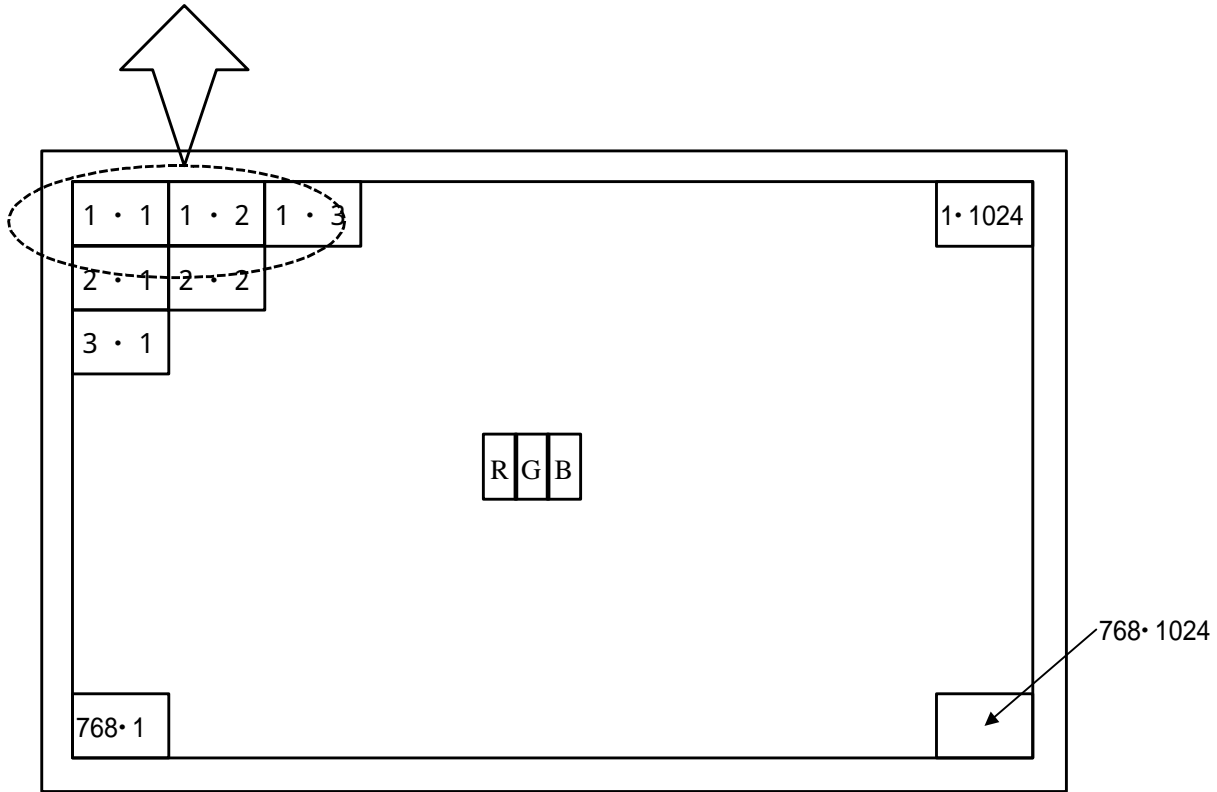
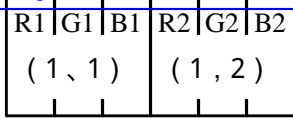
【Note】 In case of using the long vertical period, the deterioration of display quality, flicker etc. may occur.



7-2 Input Data Signals and Display Position on the screen

Graphics and texts can be displayed on a 1024 × RGB × 768 dots panel with 16M colors by supplying 24 bit data signal (8bit/color [253 gray scales] × 3).

[查询"LQ150X1LW71N"供应商](#)



Display Position of Data (V,H)

8. Input Signals, Basic Display Colors and Gray Scale of Each Color

	Colors & Gray scale	Gray Scale	Data signal																							
			R0	R1	R2	R3	R4	R5	R6	R7	G0	G1	G2	G3	G4	G5	G6	G7	B0	B1	B2	B3	B4	B5	B6	B7
Basic Color	Black	-	0	0	0	0	0	0	0	0	0	0	0	0	0	0	0	0	0	0	0	0	0	0	0	
	Blue	-	0	0	0	0	0	0	0	0	0	0	0	0	0	0	0	0	X	X	1	1	1	1	1	
	Green	-	0	0	0	0	0	0	0	0	X	X	1	1	1	1	1	1	0	0	0	0	0	0	0	
	Cyan	-	0	0	0	0	0	0	0	0	X	X	1	1	1	1	1	1	X	X	1	1	1	1	1	
	Red	-	X	X	1	1	1	1	1	1	0	0	0	0	0	0	0	0	0	0	0	0	0	0	0	
	Magenta	-	X	X	1	1	1	1	1	1	0	0	0	0	0	0	0	0	X	X	1	1	1	1	1	
	Yellow	-	X	X	1	1	1	1	1	1	X	X	1	1	1	1	1	1	0	0	0	0	0	0	0	
	White	-	X	X	1	1	1	1	1	1	X	X	1	1	1	1	1	1	X	X	1	1	1	1	1	
Gray Scale of Red	Black	GS0	0	0	0	0	0	0	0	0	0	0	0	0	0	0	0	0	0	0	0	0	0	0		
	↑	GS1	1	0	0	0	0	0	0	0	0	0	0	0	0	0	0	0	0	0	0	0	0	0		
	Darker	GS2	0	1	0	0	0	0	0	0	0	0	0	0	0	0	0	0	0	0	0	0	0	0		
	↑	↓																								
	↓	↓																								
	Brighter	GS250	0	1	0	1	1	1	1	1	0	0	0	0	0	0	0	0	0	0	0	0	0	0		
	↓	GS251	1	1	0	1	1	1	1	1	0	0	0	0	0	0	0	0	0	0	0	0	0	0		
	Red	GS252	X	X	1	1	1	1	1	1	0	0	0	0	0	0	0	0	0	0	0	0	0	0		
Gray Scale of Green	Black	GS0	0	0	0	0	0	0	0	0	0	0	0	0	0	0	0	0	0	0	0	0	0	0		
	↑	GS1	0	0	0	0	0	0	0	0	1	0	0	0	0	0	0	0	0	0	0	0	0	0		
	Darker	GS2	0	0	0	0	0	0	0	0	0	1	0	0	0	0	0	0	0	0	0	0	0	0		
	↑	↓																								
	↓	↓																								
	Brighter	GS250	0	0	0	0	0	0	0	0	0	1	0	1	1	1	1	1	0	0	0	0	0	0		
	↓	GS251	0	0	0	0	0	0	0	0	1	1	0	1	1	1	1	1	0	0	0	0	0	0		
	Green	GS252	0	0	0	0	0	0	0	0	X	X	1	1	1	1	1	1	0	0	0	0	0	0		
Gray Scale of Blue	Black	GS0	0	0	0	0	0	0	0	0	0	0	0	0	0	0	0	0	0	0	0	0	0	0		
	↑	GS1	0	0	0	0	0	0	0	0	0	0	0	0	0	0	0	0	1	0	0	0	0	0		
	Darker	GS2	0	0	0	0	0	0	0	0	0	0	0	0	0	0	0	0	0	1	0	0	0	0		
	↑	↓																								
	↓	↓																								
	Brighter	GS250	0	0	0	0	0	0	0	0	0	0	0	0	0	0	0	0	0	1	0	1	1	1		
	↓	GS251	0	0	0	0	0	0	0	0	0	0	0	0	0	0	0	0	1	1	0	1	1	1		
	Blue	GS252	0	0	0	0	0	0	0	0	0	0	0	0	0	0	0	0	X	X	1	1	1	1		

0 : Low level voltage, 1 : High level voltage. X :Don't care.

Each basic color can be displayed in 253 gray scales from 8 bit data signals. According to the combination of total 24 bit data signals, the 16-million-color display can be achieved on the screen.

9. Optical Characteristics

Ta=25 , Vcc =+3.3V

Parameter	Symbol	Condition	Min.	Typ.	Max.	Unit	Remark	
Viewing angle range	Optical	CR 10	70	85	-	Deg.	【Note1,4】	
			12	70	85	-		Deg.
			Horizontal	21, 22	70	85		-
Contrast ratio	C R	=0 °	300	400	-		【Note2,4】	
Response Time	Td+Tr		-	25	55	ms	【Note3,4】	
Chromaticity of White	Wx		0.283	0.313	0.343	-	【Note4】	
	Wy		0.299	0.329	0.359	-		
Chromaticity of Red	Rx		0.608	0.638	0.668	-		
	Ry		0.309	0.339	0.369	-		
Chromaticity of Green	Gx		0.250	0.280	0.310	-		
	Gy		0.570	0.600	0.630	-		
Chromaticity of Blue	Bx		0.114	0.144	0.174	-		
	By		0.057	0.087	0.117	-		
Luminance of white	YL		200	250	-	cd/m ²	IL=6.5mA rms FL=60kHz 【Note4】	
White Uniformity	w		-	-	1.25	-	【Note5】	

The measurement shall be executed 30 minutes after lighting at rating.

The optical characteristics shall be measured in a dark room or equivalent state with the method shown in Fig.2 below.

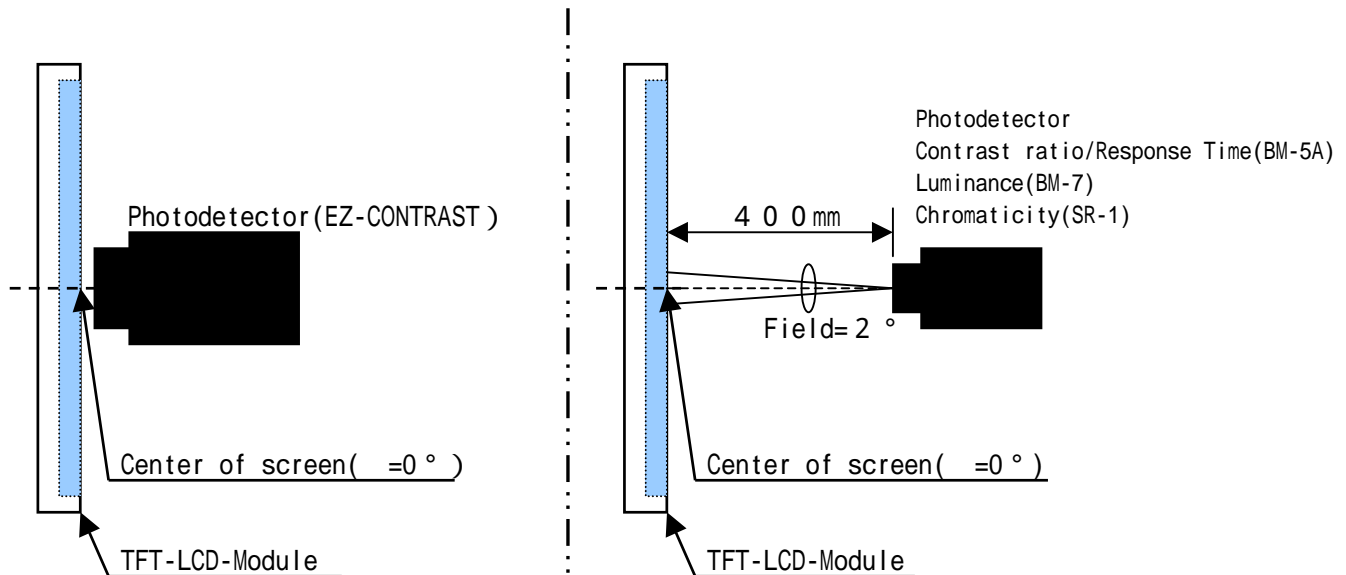
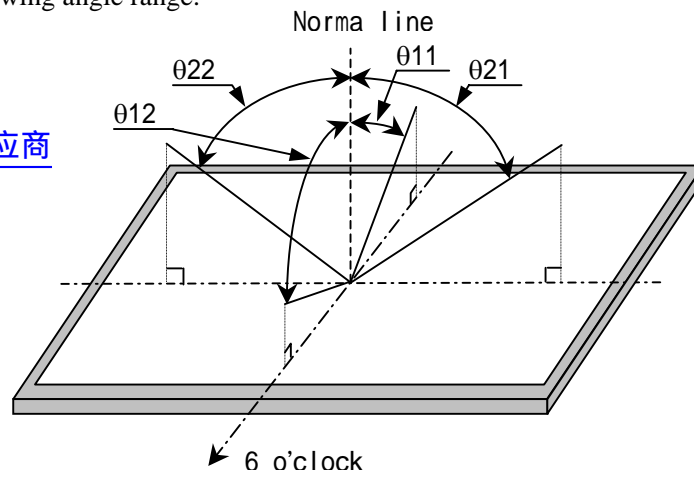


Fig2 Optical characteristics measurement method

【Note1】 Definitions of viewing angle range:

[查询"LQ150X1LW71N"供应商](#)



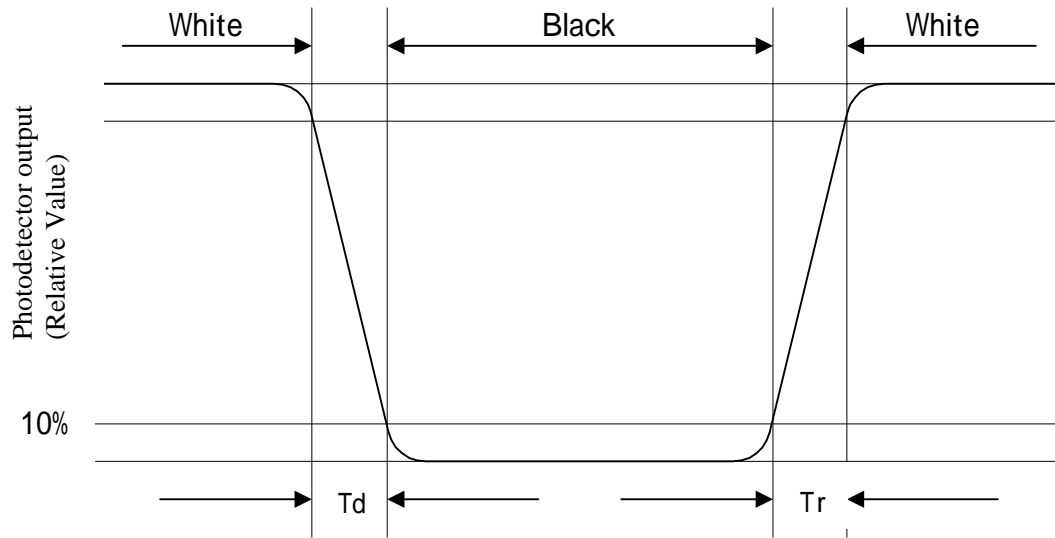
【Note2】 Definition of contrast ratio:

The contrast ratio is defined as the following.

$$\text{Contrast Ratio (CR)} = \frac{\text{Luminance (brightness) with all pixels white}}{\text{Luminance (brightness) with all pixels black}}$$

【Note3】 Definition of response time:

The response time is defined as the following figure and shall be measured by switching the input signal for "black" and "white".

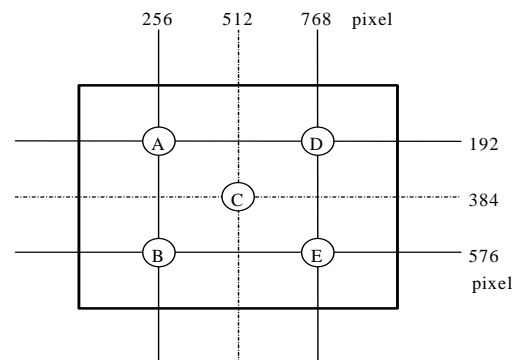


【Note4】 This shall be measured at center of the screen.

【Note5】 Definition of white uniformity:

White uniformity is defined as the following with five measurements (A ~ E).

$$w = \frac{\text{Maximum Luminance of five points (brightness)}}{\text{Minimum Luminance of five points (brightness)}}$$



10. Handling Precautions

- a) Be sure to turn off the power supply when inserting or disconnecting the cable.
- b) Be sure to design the cabinet so that the module can be installed without any extra stress such as warp or

[查询"LC150X1LW71N"供应商](#)

- c) Since the front polarize is easily damaged, pay attention not to scratch it.
- d) Since long contact with water may cause discoloration or spots, wipe off water drop immediately.
- e) When the panel surface is soiled, wipe it with absorbent cotton or other soft cloth.
- f) Since the panel is made of glass, it may break or crack if dropped or bumped on hard surface. Handle with care.
- g) Since CMOS LSI is used in this module, take care of static electricity and take the human earth into consideration when handling.
- h) Make sure the four mounting holes of the module are grounded sufficiently. Take electro-magnetic interference (EMI) into consideration.
- i) The module has some printed circuit boards (PCBs) on the back side. Take care to keep them from any stress or pressure when handling or installing the module; otherwise some of electronic parts on the PCBs may be damaged.
- j) Observe all other precautionary requirements in handling components.
- k) When some pressure is added onto the module from rear side constantly, it causes display non-uniformity issue, functional defect, etc. So, please avoid such design.
- l) When handling LCD modules and assembling them into cabinets, please be noted that long-term storage in the environment of oxidization or deoxidization gas and the use of such materials as reagent, solvent, adhesive, resin, etc. which generate these gasses, may cause corrosion and discoloration of the LCD modules.

11. Packing form

- a) Piling number of cartons : maximum 5 cartons
- b) Packing quantity in one carton : 5 module
- c) Carton size : 319mm(W) × 402mm(H) × 280mm(D)
- d) Total mass of one carton filled with full modules : 8.2kg
- e) Packing form is shown in Fig.3

12 . Reliability test items

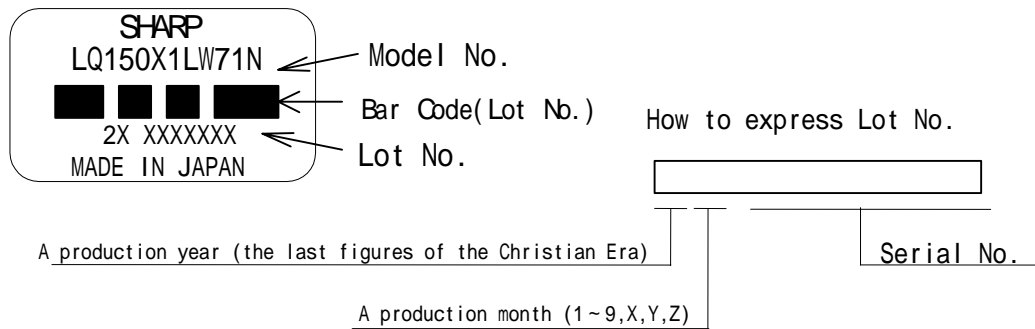
No.	Test item	Conditions
1	High temperature storage test	Ta = 60 240h
2	Low temperature storage test	Ta = -25 240h
3	High temperature & high humidity operation test	Ta = 40 ; 95%RH 240h (No condensation)
4	High temperature operation test	Ta = 50 240h (The panel temp. must be less than 60)
5	Low temperature operation test	Ta = 0 240H
6	Vibration test (non- operating)	Frequency : 10 ~ 57Hz/Vibration width (one side) : 0.075mm : 58 ~ 500Hz/Gravity : 9.8m/s ² Wave form : sin wave Sweep time : 11minutes Test period : 3 hours (1 hour for each direction of X,Y,Z)
7	Shock test (non- operating)	Max. gravity : 490m/s ² Pulse width : 11ms, sine wave Direction : ± X, ± Y, ± Z, once for each direction.

【Result Evaluation Criteria】

Under the display quality test conditions with normal operation state, these shall be no change which may affect practical display function.

13 . Others

1) Lot No. and indication Bar Code Label:



2) Packing Label

社内品番 : (4 S) LQ150X1LW71N	
<input type="text"/> Bar code ()	
LotNO. : (1 T) 2 0 0 3 . 3 . 6	
<input type="text"/> Bar code ()	
Quantity : (Q) 5 p c s	
<input type="text"/> Bar code ()	
ユーザ品番 :	
シャープ物流用ラベルです。	

Model No. (LQ150X1LW71N)

Lot No. (Date)

Quantity

3) Adjusting volume have been set optimally before shipment, so do not change any adjusted value.

If adjusted value is changed, the specification may not be satisfied.

4) Disassembling the module can cause permanent damage and should be strictly avoided.

5) Please be careful since image retention may occur when a fixed pattern is displayed for a long time.

6) The chemical compound which causes the destruction of ozone layer is not being used.

7) Warning of mercury and material information of LPG (Light Pipe Guide) are labeled on the back of the module.

MATERIAL INFORMATION
>PLASTIC LIGHT GUIDE:PMMA<

8) Cold cathode fluorescent lamp in LCD PANEL contains a small amount of mercury, Please follow local ordinances or regulations for disposal. (put on the back of the module.)

COLD CATHODE FLUORESCENT LAMP IN LCD PANEL
CONTAINS A SMALL AMOUNT OF MERCURY, PLEASE FOLLOW
LOCAL ORDINANCES OR REGULATIONS FOR DISPOSAL
当該液晶ディスプレイは蛍光管が組み込まれていますので、地方自治体の条例、または、規制に従って廃棄して下さい。

9) When any question or issue occurs, it shall be solved by mutual discussion.

Carton storage condition

Temperature 0 to 40

Humidity 95%RH or less

Reference condition : 20 to 35 , 85%RH or less (summer)

 : 5 to 15 , 85%RH or less (winter)

 • the total storage time (40 ,95%RH) : 240H or less

Sunlight Be sure to shelter a product from the direct sunlight.

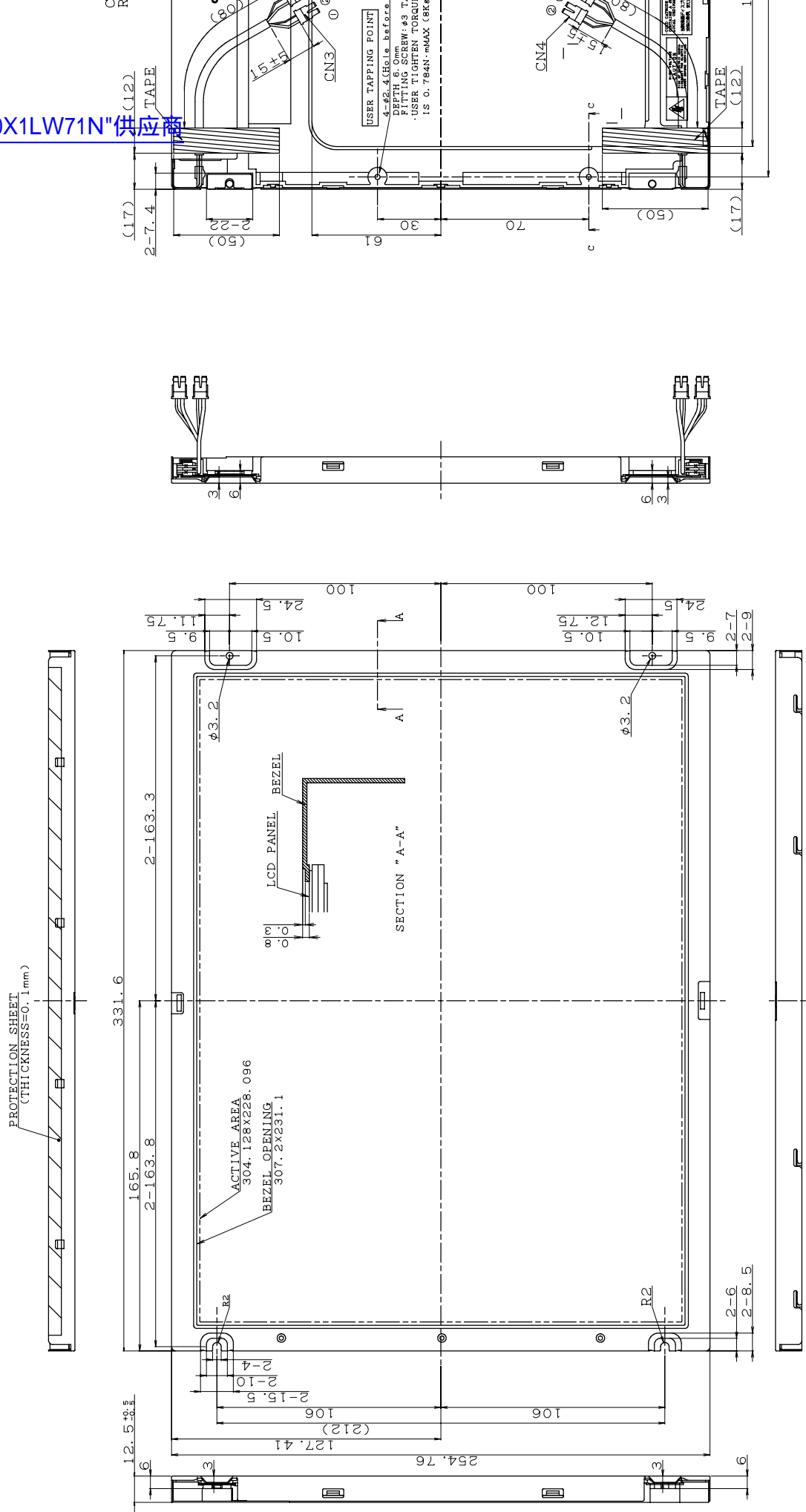
Atmosphere Harmful gas, such as acid and alkali which bites electronic components and/or wires must not be detected.

Notes Be sure to put cartons on palette or base, don't put it on floor, and store them with removing from wall

 Please take care of ventilation in storehouse and around cartons, and control changing temperature is within limits of natural environment

Storage period 1 year

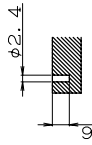
查询"LQ150X1LW71N"供应商



【INTERFACE CONNECTOR】
CN1:DF14H-20P-1.25H(HIROSE)

【CCFT CONNECTOR】
CN2/CN3/CN4/CN5

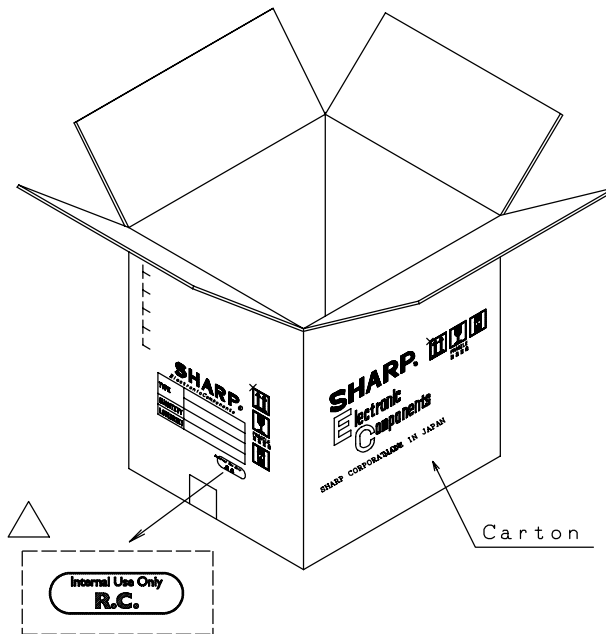
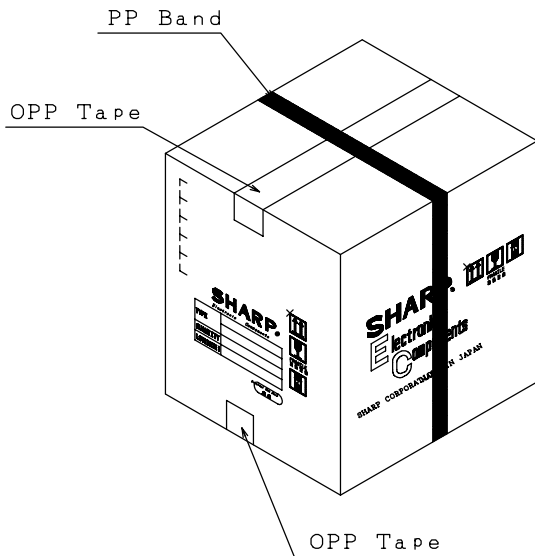
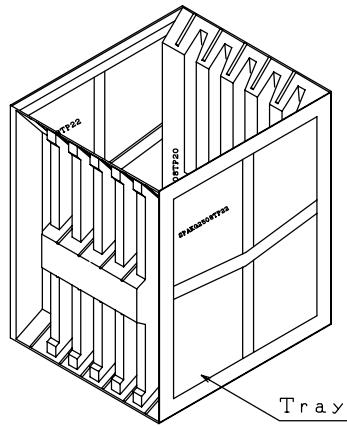
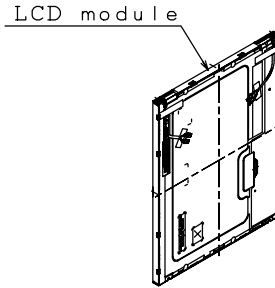
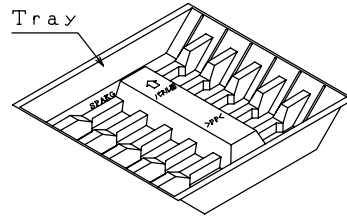
BEZEL/DISPLAY POSITION



SECTION C-C

1 2

[查询"LQ150X1LW71N"供应商](#)



「R. C. mark for RoHS」

Fig 3 : PACKING FORM

[查询"LQ150X1LW71N"供应商](#)

SPECIFICATIONS ARE SUBJECT TO CHANGE WITHOUT NOTICE.

Suggested applications (if any) are for standard use; See Important Restrictions for limitations on special applications. See Limited Warranty for SHARP's product warranty. The Limited Warranty is in lieu, and exclusive of, all other warranties, express or implied.

ALL EXPRESS AND IMPLIED WARRANTIES, INCLUDING THE WARRANTIES OF MERCHANTABILITY, FITNESS FOR USE AND FITNESS FOR A PARTICULAR PURPOSE, ARE SPECIFICALLY EXCLUDED. In no event will SHARP be liable, or in any way responsible, for any incidental or consequential economic or property damage.

SHARP[®]

NORTH AMERICA

EUROPE

JAPAN