

# 1000 BASE-T MAGNETICS MODULES

462 Boston St - Topsfield, MA 01983 - Phone: 978-887-8050 - Fax: 978-887-5434

## General Specification

- Designed for long haul Gigabit Ethernet 1000 Base-T, Full Duplex applications
- Supports category 5 UTP cable
- Low common mode Emissions
- Compliant with IEEE 802.3ab standard for 1000 Base-T
- Storage temperature range: -40°C to +125°C.

## Electrical Specifications @ 25°C &

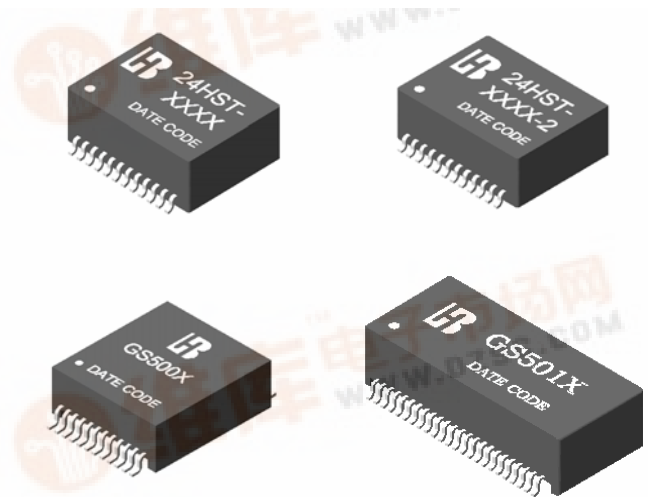
### Operating Temperature range: 0°C to +70°C

Isolation Voltage : 1500Vrms

CW/W : 28pF Max

OCL(100KHz, 0.1Vrms with 8mA/DC Bias) : 350 uH Min.

L.L: 0.5uH Max



Part Number	Turns Ratio (±5%)	Insertion Loss (dB Max.)	Return Loss (dB Min @ 100 Ω)					Cross talk (dB Min.)			Differential to Common Mode Rejection(dB Min.)		
			1-30MHz	40MHz	50MHz	60-80MHz	100MHz	30MHz	60MHz	100MHz	30MHz	60MHz	100MHz
GS5008	1CT:1	-1.0	-18	-14.4	-13.1	-12	-10	-45	-40	-35	-43	-37	-33
GS5009	1CT:1CT	-1.0	-18	-14.4	-13.1	-12	-10	-45	-40	-35	-43	-37	-33
24HST1041*	1CT:1CT	-1.0	-18	-14.4	-13.1	-12	-10	-45	-40	-35	-43	-37	-33
24HST1041A*	1CT:1	-1.0	-18	-14.4	-13.1	-12	-10	-45	-40	-35	-43	-37	-33
24HST1041-A*	1CT:1CT	-1.0	-18	-14.4	-13.1	-12	-10	-45	-40	-35	-43	-37	-33
24HST1041B*	1CT:1	-1.0	-18	-14.4	-13.1	-12	-10	-45	-40	-35	-43	-37	-33
24HST1041-2	1CT:CT	-1.0	-18	-14.4	-13.1	-12	-10	-45	-40	-35	-43	-37	-33
24HST1041A-2	1CT:1	-1.0	-18	-14.4	-13.1	-12	-10	-45	-40	-35	-43	-37	-33
GS5012	1CT:1	-1.0	-18	-14.4	-13.1	-12	-10	-45	-40	-35	-43	-37	-33
GS5014	1CT:1CT	-1.0	-18	-14.4	-13.1	-12	-10	-45	-40	-35	-43	-37	-33

\* Note: Insulation resistance: 10,000MΩ , 24HST1041-A :Design meet to loop currents from 330mA

## Mechanicals

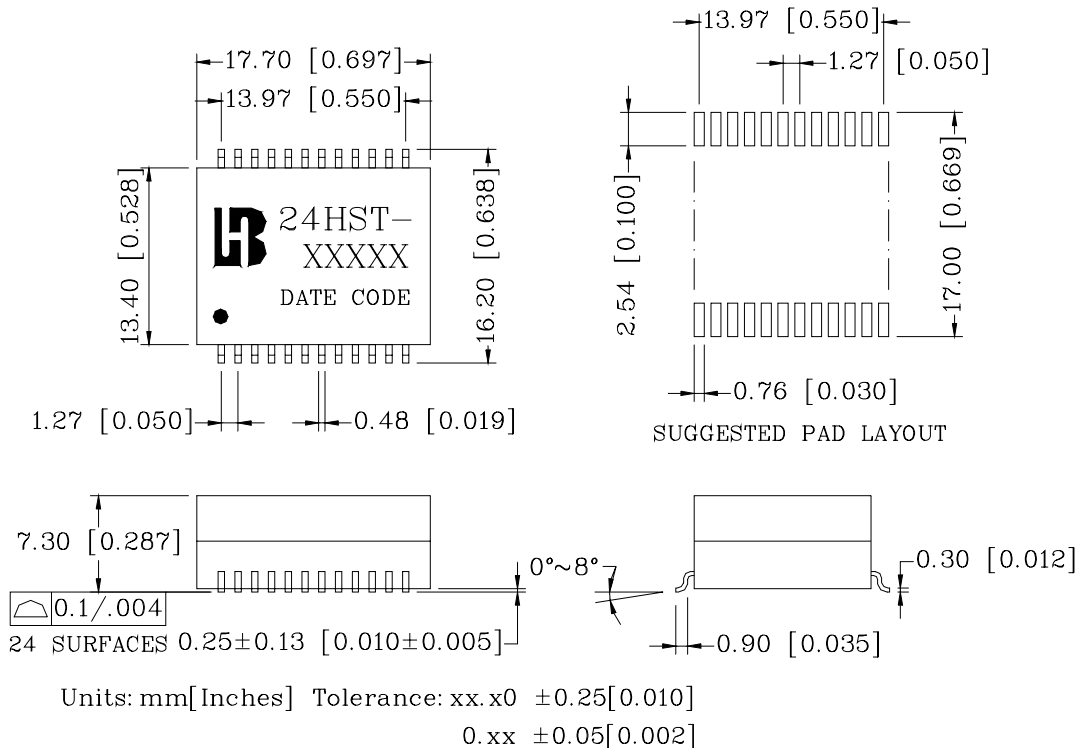
24HST1041 , 24HST1041A , 24HST1041-A , 24HST1041B

Bothhand USA. e-mail: [sales@bothhandusa.com](mailto:sales@bothhandusa.com) <http://www.bothhand.com>

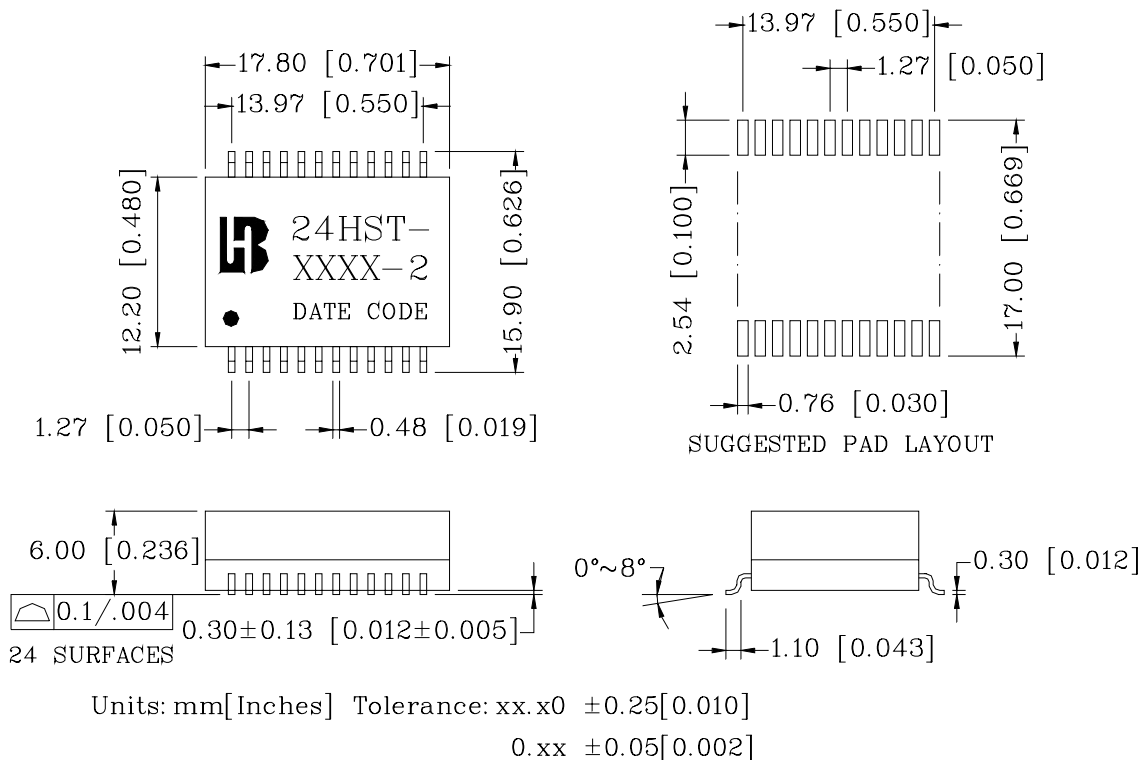
462 Boston St - Topsfield, MA 01983 - Phone: 978-887-8050 - Fax: 978-887-5434



462 Boston St - Topsfield, MA 01983 - Phone: 978-887-8050 - Fax: 978-887-5434

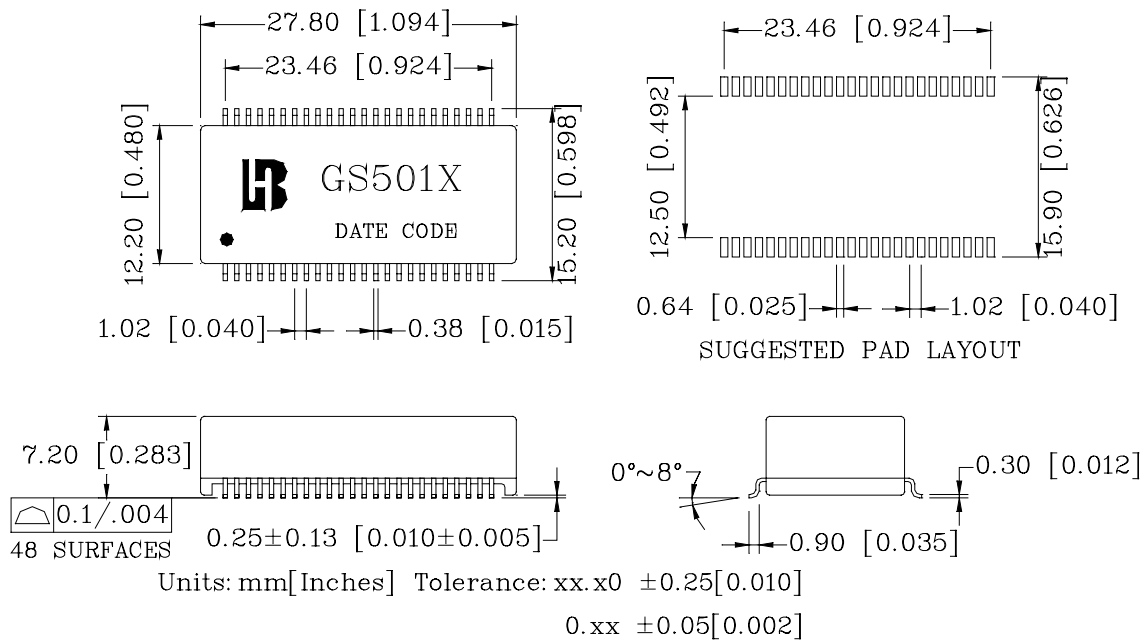


**24HST1041-2 , 24HST1041A-2**



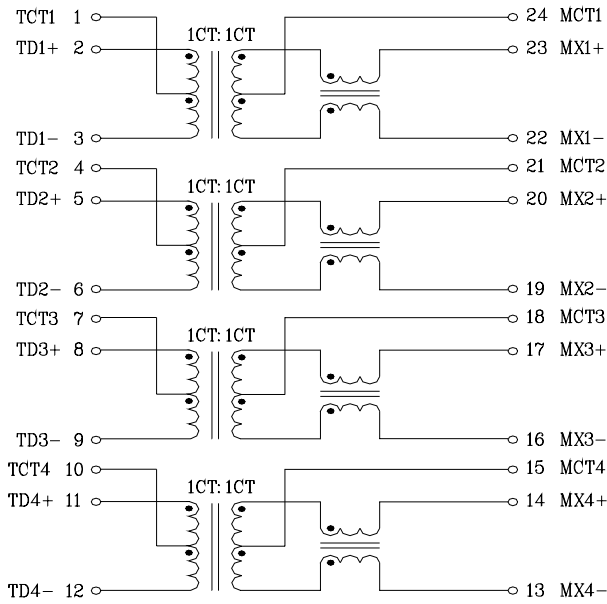
**GS5008 , GS5009**

**GS5012, GS5014**

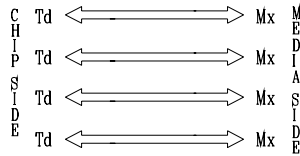


**Schematics**

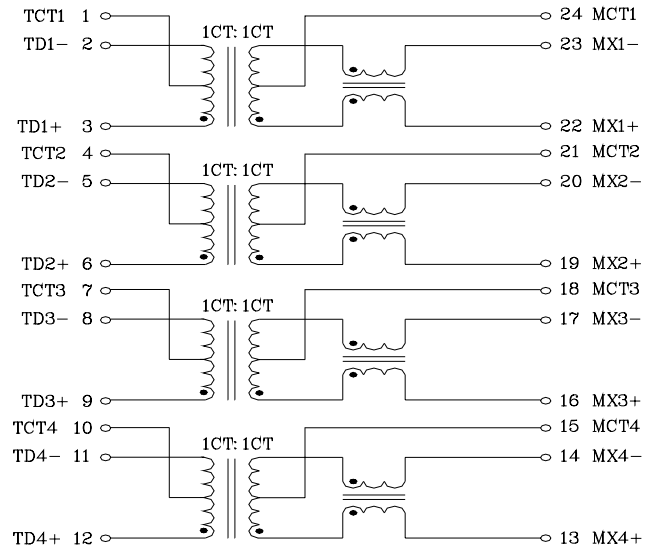
**24HST1041**



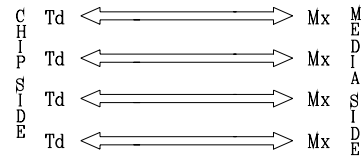
LEGEND



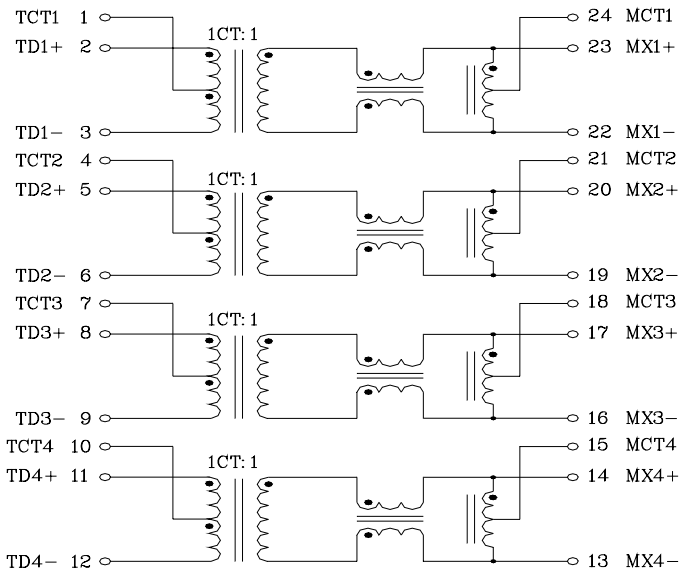
**24HST1041-2**



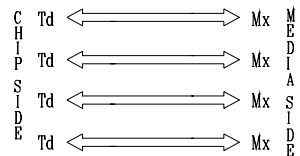
LEGEND



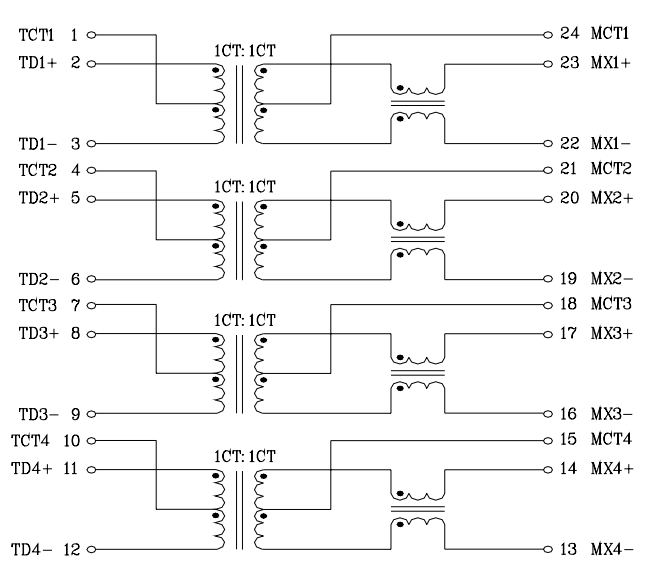
**24HST1041A**



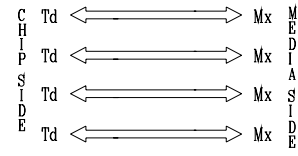
LEGEND



**24HST1041-A**



LEGEND



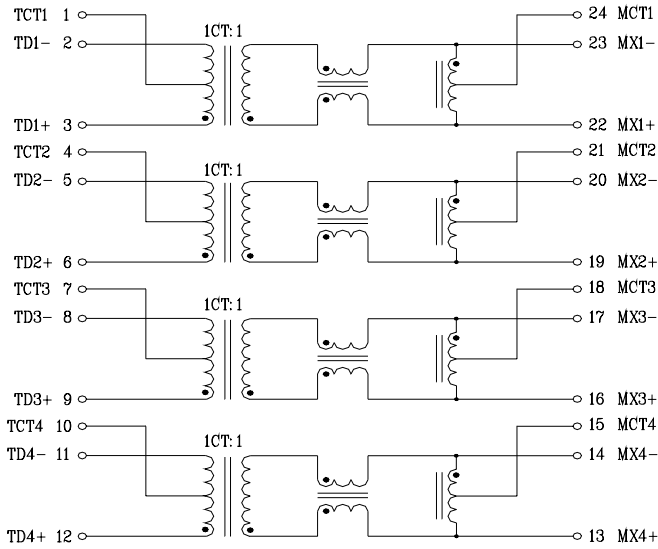
**24HST1041A-2**

**24HST1041B**

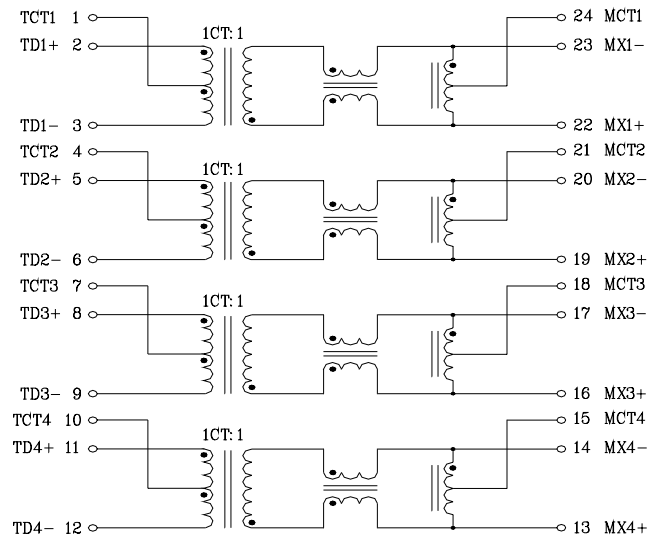
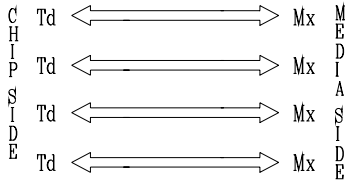
# 100 BASE-T MAGNETICS MODULES



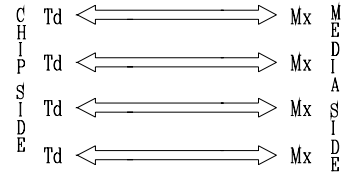
462 Boston St - Topsfield, MA 01983 - Phone: 978-887-8050 - Fax: 978-887-5434



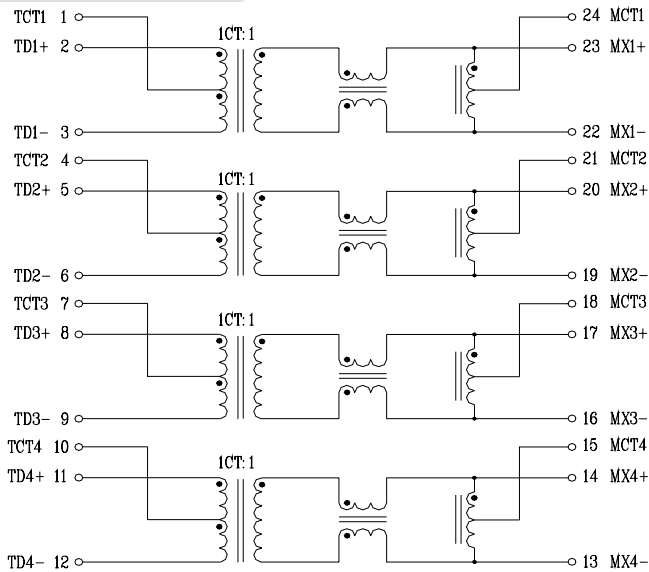
LEGEND



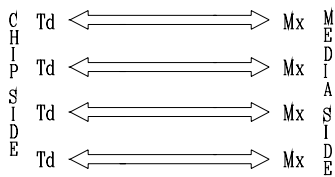
LEGEND



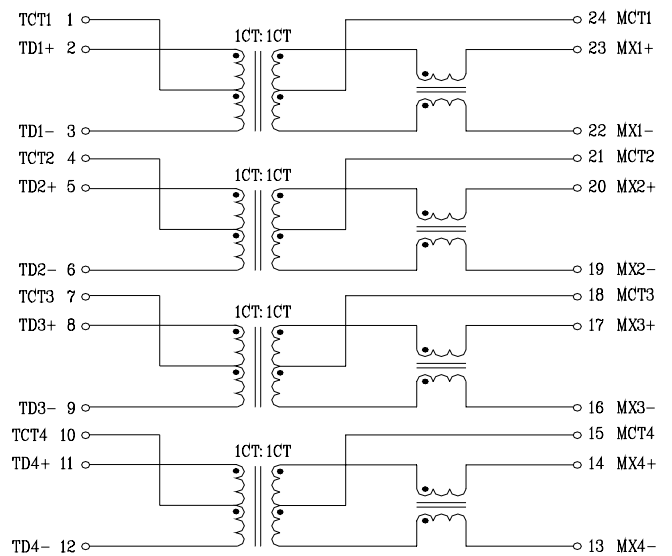
## GS5008



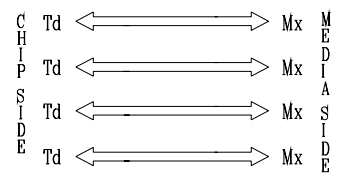
LEGEND



## GS5009



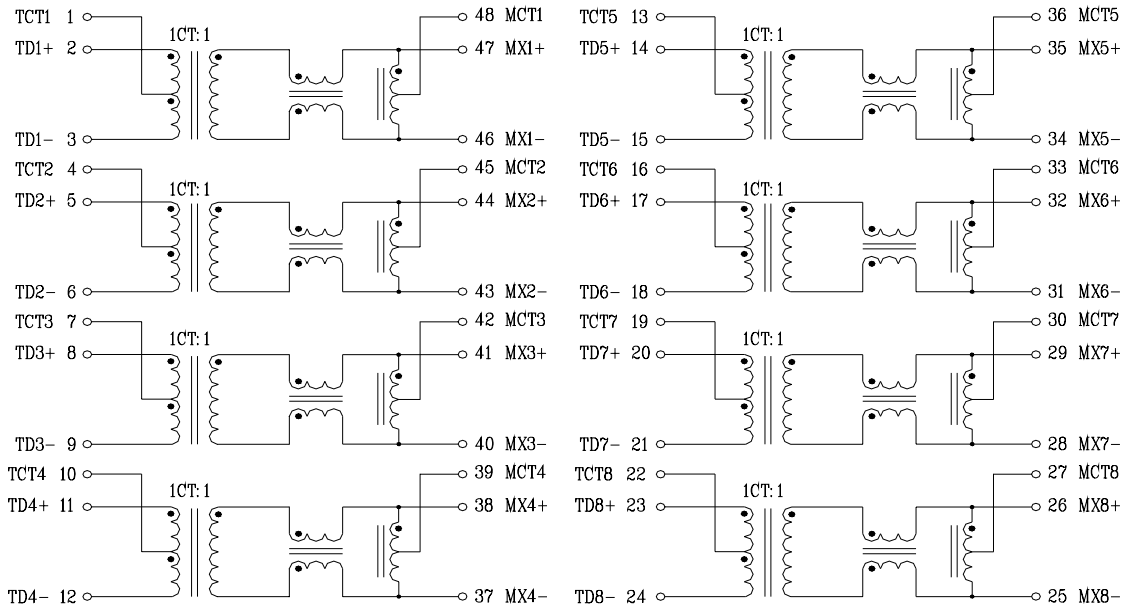
LEGEND



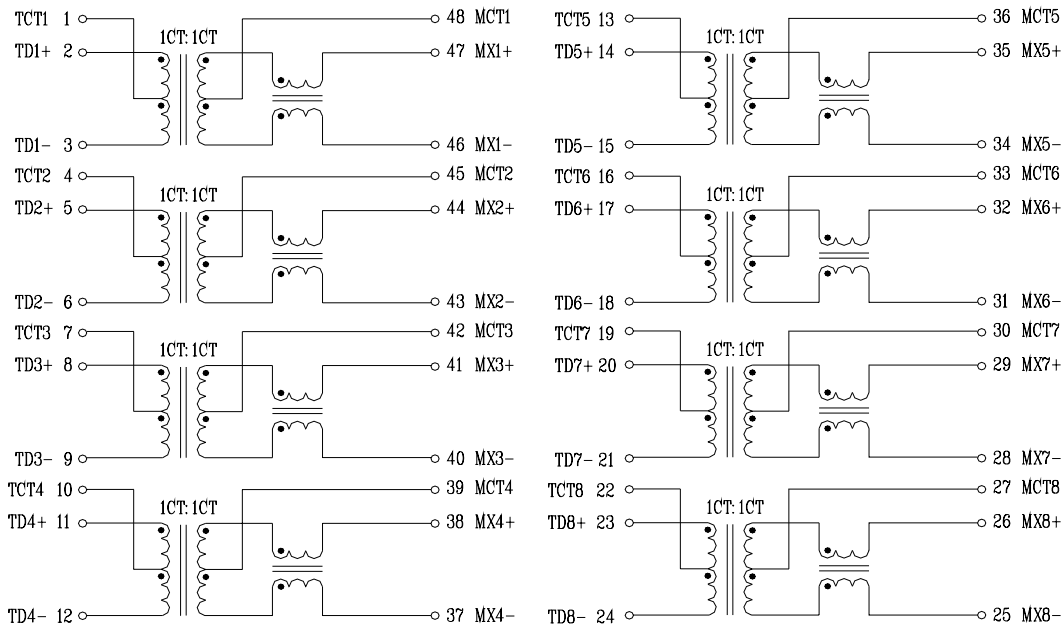
Bothhand USA. e-mail: [sales@bothhandusa.com](mailto:sales@bothhandusa.com) <http://www.bothhand.com>

462 Boston St - Topsfield, MA 01983 - Phone: 978-887-8050 - Fax: 978-887-5434

462 Boston St - Topsfield, MA 01983 - Phone: 978-887-8050 - Fax: 978-887-5434



**GS5014**



**GS5012**

**GS5014**

