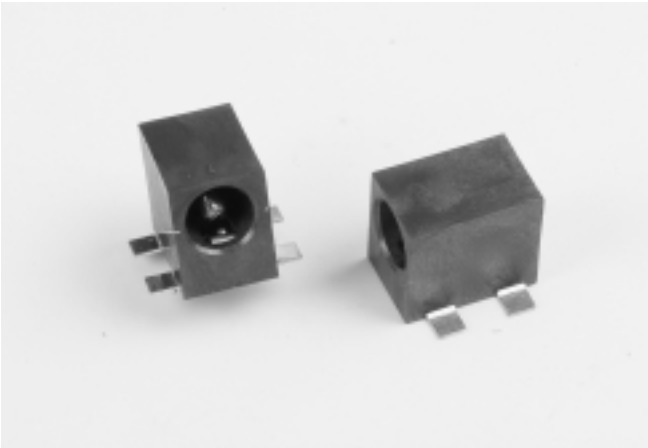


# DC POWER JACK FOR 5.50 DC PLUG

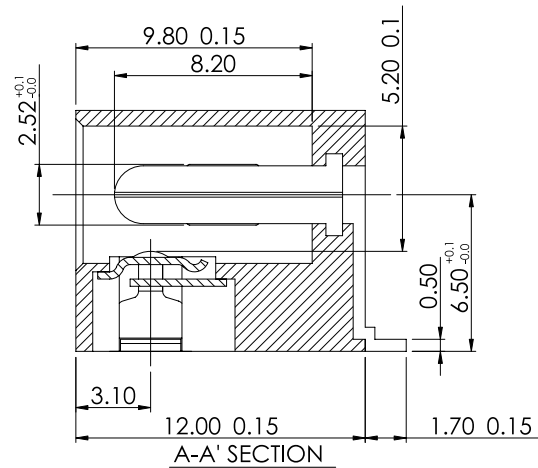
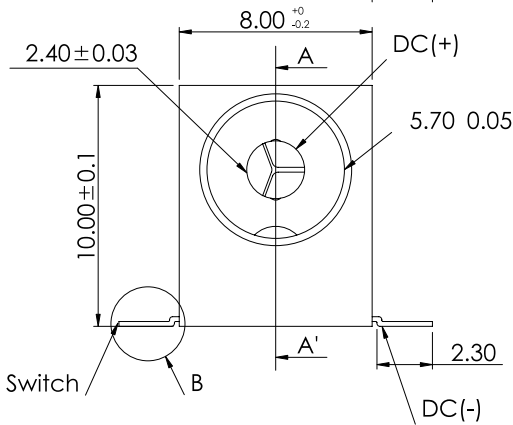
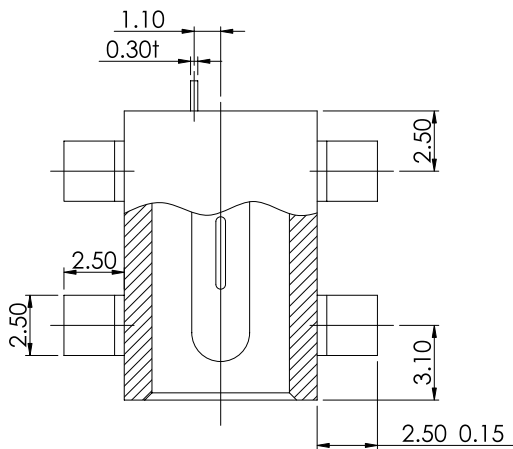
查询"040167MB"供应商  
(NORMAL OPEN TYPE)



## 040167MB Series

### Specifications:

- **Insulator Material** : Black High Temp. Plastic
- **Operating Type Range** : -40°C TO +105°C
- **Terminal Material** : Phos. Bronze
- **Platings** : Contact Gold Plated
- **Max. Current Rating** : 1.5A
- **Max. Voltage Rating** : 115V AC
- **Dielectric Strength** : 500V AC For 60 Seconds



## Order Information

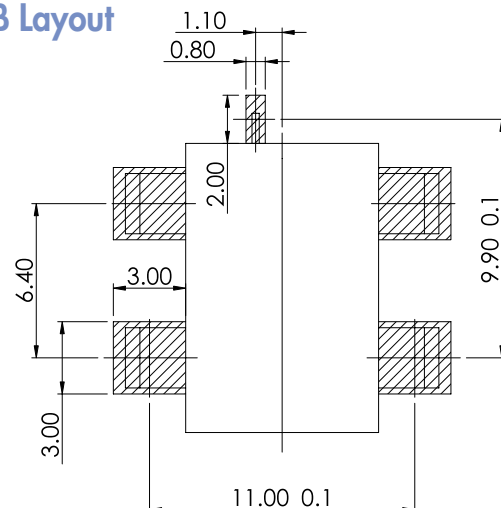
040167MB005□□00ZL  
1 2 3 4 5

1. 'B' : Right Angle SMT Type
2. No. of pins.
3. Plating
4. Color 'Z' : Black
5. Package

'L' : Reel Package Without Cap

Reference Page 11

## Recommended P.C.B Layout



Mobile

AUDIO JACK