

LTR	DESCRIPTION											DATE (YR-MO-DA)	APPROVED	
REV														
SHEET														
REV														
SHEET														
REV STATUS OF SHEETS		REV SHEET		1	2	3	4	5	6	7	8	9	10	11
PMIC N/A		PREPARED BY RICK OFFICER					DEFENSE SUPPLY CENTER COLUMBUS COLUMBUS, OHIO 43216							
<b>STANDARD MICROCIRCUIT DRAWING</b>		CHECKED BY RAJESH PITHADIA												
THIS DRAWING IS AVAILABLE FOR USE BY ALL DEPARTMENTS AND AGENCIES OF THE DEPARTMENT OF DEFENSE		APPROVED BY RAYMOND MONNIN					MICROCIRCUIT, LINEAR, SELF CALIBRATING PRECISION, DUAL OPERATIONAL AMPLIFIER, MONOLITHIC SILICON							
AMSC N/A		DRAWING APPROVAL DATE 97-04-29												
		REVISION LEVEL					SIZE A	CAGE CODE 67268	5962-97537					
							SHEET 1 OF 11							

DSCC FORM 2233 APR 97

5962-E178-97

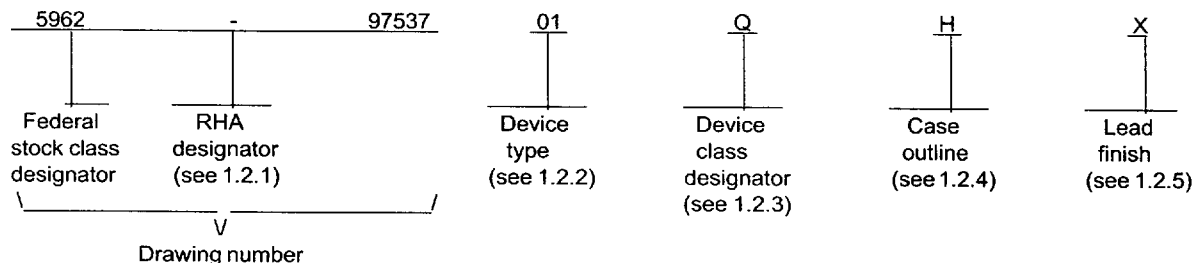
DISTRIBUTION STATEMENT A. Approved for public release; distribution is unlimited.

9004708 0029225 765

## 查询"5962-9753701Q2A"供应商

1.1 Scope. This drawing documents two product assurance class levels consisting of high reliability (device classes Q and M) and space application (device class V). A choice of case outlines and lead finishes are available and are reflected in the Part or Identifying Number (PIN). When available, a choice of Radiation Hardness Assurance (RHA) levels are reflected in the PIN.

1.2 PIN. The PIN is as shown in the following example:



1.2.1 RHA designator. Device classes Q and V RHA marked devices meet the MIL-PRF-38535 specified RHA levels and are marked with the appropriate RHA designator. Device class M RHA marked devices meet the MIL-PRF-38535, appendix A specified RHA levels and are marked with the appropriate RHA designator. A dash ( - ) indicates a non-RHA device.

1.2.2 Device type(s). The device type(s) identify the circuit function as follows:

<u>Device type</u>	<u>Generic number</u>	<u>Circuit function</u>
01	TLC4502	Self calibrating, rail to rail, dual, operating amplifier
02	TLC4502A	Self calibrating, rail to rail, dual, operating amplifier with enhanced $V_{IO}$

1.2.3 Device class designator. The device class designator is a single letter identifying the product assurance level as follows:

<u>Device class</u>	<u>Device requirements documentation</u>
M	Vendor self-certification to the requirements for MIL-STD-883 compliant, non-JAN class level B microcircuits in accordance with MIL-PRF-38535, appendix A
Q or V	Certification and qualification to MIL -PRF-38535

1.2.4 Case outline(s). The case outline(s) are as designated in MIL-STD-1835 and as follows:

<u>Outline letter</u>	<u>Descriptive designator</u>	<u>Terminals</u>	<u>Package style</u>
H	GDFP1-F10 or CDFP2-F10	10	Flat pack
P	GDIP1-T8 or CDIP2-T8	8	Dual-in-line
2	CQCC1-N20	20	Square leadless chip carrier

1.2.5 Lead finish. The lead finish is as specified in MIL-PRF-38535 for device classes Q and V or MIL-PRF-38535, appendix A for device class M.

<b>STANDARD MICROCIRCUIT DRAWING</b>	SIZE <b>A</b>		<b>5962-97537</b>
	<b>DEFENSE SUPPLY CENTER COLUMBUS COLUMBUS, OHIO 43216-5000</b>	REVISION LEVEL	SHEET 2

DSCC FORM 2234  
APR 97

■ 9004708 0029226 6T1 ■

Absolute maximum ratings 1/

Supply voltage (+V <sub>DD</sub> ).....	7 V 2/
Differential input voltage, (V <sub>ID</sub> ).....	±7 V 3/
Input voltage range, (V <sub>IN</sub> ) (any input).....	-0.3 V to +V <sub>DD</sub> 2/
Input current, (I <sub>IN</sub> ) (each input).....	±5 mA
Output current (I <sub>OUT</sub> ) (each output).....	±100 mA
Total current into +V <sub>DD</sub> .....	±100 mA
Total current out of -V <sub>DD</sub> / GND.....	±100 mA
Duration of short-circuit current at +25 °C.....	Unlimited 4/
Continuous total power dissipation (P <sub>D</sub> ):	
Case H.....	700 mW 5/
Case P.....	1050 mW 5/
Case 2.....	1375 mW 5/
Storage temperature range.....	-65°C to +150°C
Thermal resistance, junction-to-case (θ <sub>JC</sub> ).....	See MIL-STD-1835

1.4 Recommended operating conditions.

Supply voltage (+V <sub>DD</sub> ).....	4 V to 6 V
Input voltage range (V <sub>IN</sub> ).....	-V <sub>DD</sub> to +V <sub>DD</sub> - 2.3 V
Common mode input voltage range (V <sub>IC</sub> ).....	-V <sub>DD</sub> to +V <sub>DD</sub> - 2.3 V
Operating free-air temperature range (T <sub>A</sub> ).....	-55°C to +125°C

2. APPLICABLE DOCUMENTS

2.1 Government specification, standards, and handbooks. The following specification, standards, and handbooks form a part of this drawing to the extent specified herein. Unless otherwise specified, the issues of these documents are those listed in the issue of the Department of Defense Index of Specifications and Standards (DoDISS) and supplement thereto, cited in the solicitation.

SPECIFICATION

MILITARY

MIL-PRF-38535 - Integrated Circuits, Manufacturing, General Specification for.

STANDARDS

MILITARY

MIL-STD-883 - Test Methods and Procedures for Microelectronics.  
 MIL-STD-973 - Configuration Management.  
 MIL-STD-1835 - Microcircuit Case Outlines.

- 1/ Stresses above the absolute maximum rating may cause permanent damage to the device. Extended operation at the maximum levels may degrade performance and affect reliability.
- 2/ All voltage values, except differential voltages, are with respect to -V<sub>DD</sub> / GND.
- 3/ Differential voltages are at +INPUT with respect to -INPUT. Excessive current flows when input is brought below -V<sub>DD</sub> - 0.3 V.
- 4/ The output may be shorted to either supply. Temperature and/or supply voltages must be limited to ensure that the maximum dissipation rating is not exceeded.
- 5/ Above T<sub>A</sub> = 25°C, derate by the following factors; case H at 5.5 mW/°C, case P at 8.4 mW/°C and case 2 at 11.0 mW/°C.

<b>STANDARD MICROCIRCUIT DRAWING</b>  <b>DEFENSE SUPPLY CENTER COLUMBUS COLUMBUS, OHIO 43216-5000</b>	SIZE <b>A</b>		<b>5962-97537</b>
		REVISION LEVEL	SHEET 3

DSCC FORM 2234  
APR 97

9004708 0029227 538

MILITARY

- MIL-HDBK-103 - List of Standard Microcircuit Drawings (SMD's).
- MIL-HDBK-780 - Standard Microcircuit Drawings.

(Unless otherwise indicated, copies of the specification, standards, and handbooks are available from the Standardization Document Order Desk, 700 Robbins Avenue, Building 4D, Philadelphia, PA 19111-5094.)

2.2 Order of precedence. In the event of a conflict between the text of this drawing and the references cited herein, the text of this drawing takes precedence. Nothing in this document, however, supersedes applicable laws and regulations unless a specific exemption has been obtained.

3. REQUIREMENTS

3.1 Item requirements. The individual item requirements for device classes Q and V shall be in accordance with MIL-PRF-38535 and as specified herein or as modified in the device manufacturer's Quality Management (QM) plan. The modification in the QM plan shall not affect the form, fit, or function as described herein. The individual item requirements for device class M shall be in accordance with MIL-PRF-38535, appendix A for non-JAN class level B devices and as specified herein.

3.2 Design, construction, and physical dimensions. The design, construction, and physical dimensions shall be as specified in MIL-PRF-38535 and herein for device classes Q and V or MIL-PRF-38535, appendix A and herein for device class M.

3.2.1 Case outline(s). The case outline(s) shall be in accordance with 1.2.4 herein.

3.2.2 Terminal connections. The terminal connections shall be as specified on figure 1.

3.2.3 Block diagram(s). The block diagram(s) shall be as specified on figure 2.

3.3 Electrical performance characteristics and postirradiation parameter limits. Unless otherwise specified herein, the electrical performance characteristics and postirradiation parameter limits are as specified in table I and shall apply over the full ambient operating temperature range.

3.4 Electrical test requirements. The electrical test requirements shall be the subgroups specified in table II. The electrical tests for each subgroup are defined in table I.

3.5 Marking. The part shall be marked with the PIN listed in 1.2 herein. In addition, the manufacturer's PIN may also be marked as listed in MIL-HDBK-103. For packages where marking of the entire SMD PIN number is not feasible due to space limitations, the manufacturer has the option of not marking the "5962-" on the device. For RHA product using this option, the RHA designator shall still be marked. Marking for device classes Q and V shall be in accordance with MIL-PRF-38535. Marking for device class M shall be in accordance with MIL-PRF-38535, appendix A.

3.5.1 Certification/compliance mark. The certification mark for device classes Q and V shall be a "QML" or "Q" as required in MIL-PRF-38535. The compliance mark for device class M shall be a "C" as required in MIL-PRF-38535, appendix A.

3.6 Certificate of compliance. For device classes Q and V, a certificate of compliance shall be required from a QML-38535 listed manufacturer in order to supply to the requirements of this drawing (see 6.6.1 herein). For device class M, a certificate of compliance shall be required from a manufacturer in order to be listed as an approved source of supply in MIL-HDBK-103 (see 6.6.2 herein). The certificate of compliance submitted to DSCC -VA prior to listing as an approved source of supply for this drawing shall affirm that the manufacturer's product meets, for device classes Q and V, the requirements of MIL-PRF-38535 and herein or for device class M, the requirements of MIL-PRF-38535, appendix A and herein.

<b>STANDARD MICROCIRCUIT DRAWING</b>  <b>DEFENSE SUPPLY CENTER COLUMBUS COLUMBUS, OHIO 43216-5000</b>	SIZE <b>A</b>		<b>5962-97537</b>
		REVISION LEVEL	SHEET 4

DSCC FORM 2234  
APR 97

■ 9004708 0029228 474 ■

查询"5962-9753701Q2A"供应商 TABLE I. Electrical performance characteristics.

Test	Symbol	Conditions 1/ -55°C ≤ T <sub>A</sub> ≤ +125°C unless otherwise specified	Group A subgroups	Device type	Limits		Unit
					Min	Max	
Input offset voltage	V <sub>IO</sub>	V <sub>DD</sub> = ±2.5 V, V <sub>O</sub> = 0 V, V <sub>IC</sub> = 0 V, R <sub>S</sub> = 50 Ω	1,2,3	01	-100	100	μV
				02	-50	50	
Input offset current	I <sub>O</sub>	V <sub>DD</sub> = ±2.5 V, V <sub>O</sub> = 0 V, V <sub>IC</sub> = 0 V, R <sub>S</sub> = 50 Ω, T <sub>A</sub> = +125°C	2	All		5	nA
Input bias current	I <sub>B</sub>	V <sub>DD</sub> = ±2.5 V, V <sub>O</sub> = 0 V, V <sub>IC</sub> = 0 V, R <sub>S</sub> = 50 Ω, T <sub>A</sub> = +125°C	2	All		10	nA
High level output voltage	V <sub>OH</sub>	I <sub>OH</sub> = -5 mA	1,2,3	All	4.7		V
Low level output voltage	V <sub>OL</sub>	V <sub>IC</sub> = 2.5 V, I <sub>OL</sub> = 5 mA	1,2,3	All		0.3	V
Large signal differential voltage amplification	A <sub>VD</sub>	V <sub>IC</sub> = 2.5 V, R <sub>L</sub> = 1 kΩ, 2/ V <sub>O</sub> = 1 V to 4 V	1,2,3	All	200		V/mV
Common mode rejection ratio	CMRR	V <sub>O</sub> = 2.5 V, R <sub>S</sub> = 1 kΩ, V <sub>IC</sub> = 0 V to 2.7 V	1	All	90		dB
			2,3		85		
Supply voltage rejection ratio (Δ±V <sub>DD</sub> / ΔV <sub>IO</sub> )	k <sub>SVR</sub>	V <sub>DD</sub> = 4 V to 6 V, V <sub>IC</sub> = V <sub>DD</sub> /2, no load	1,2,3	All	90		dB
Supply current	I <sub>S</sub>	V <sub>O</sub> = 2.5 V, no load	1	All		3.5	mA
			2,3			4	
Calibration input threshold voltage	V <sub>IT(CAL)</sub>		1,2,3	All	4		V
Slew rate at unity gain	SR	V <sub>O</sub> = 0.5 V to 2.5 V, 2/ C <sub>L</sub> = 100 pF	4	All	1.5		V/μs
			5,6		1		

1/ Unless otherwise specified, V<sub>S</sub> = 5 V and GROUND = 0.

2/ Load resistance (R<sub>L</sub>) and capacitance load (C<sub>L</sub>) are referenced to 2.5 V.

<b>STANDARD MICROCIRCUIT DRAWING</b>  <b>DEFENSE SUPPLY CENTER COLUMBUS COLUMBUS, OHIO 43216-5000</b>	SIZE <b>A</b>		<b>5962-97537</b>
		REVISION LEVEL	SHEET 5

DSCC FORM 2234  
APR 97

■ 9004708 0029229 300 ■

Device types	01 and 02		
Case outlines	H	P	2
Terminal number	Terminal symbol		
1	NC	OUTPUT 1	NC
2	OUTPUT 1	-INPUT 1	OUTPUT 1
3	-INPUT 1	+INPUT 1	NC
4	+INPUT 1	GROUND	NC
5	GROUND	+INPUT 2	-INPUT 1
6	+INPUT 2	-INPUT 2	NC
7	-INPUT 2	OUTPUT 2	+INPUT 1
8	OUTPUT 2	V <sub>DD</sub>	NC
9	V <sub>DD</sub>	---	NC
10	NC	---	GROUND
11	---	---	NC
12	---	---	+INPUT 2
13	---	---	NC
14	---	---	NC
15	---	---	-INPUT 2
16	---	---	NC
17	---	---	OUTPUT 2
18	---	---	NC
19	---	---	NC
20	---	---	V <sub>DD</sub>

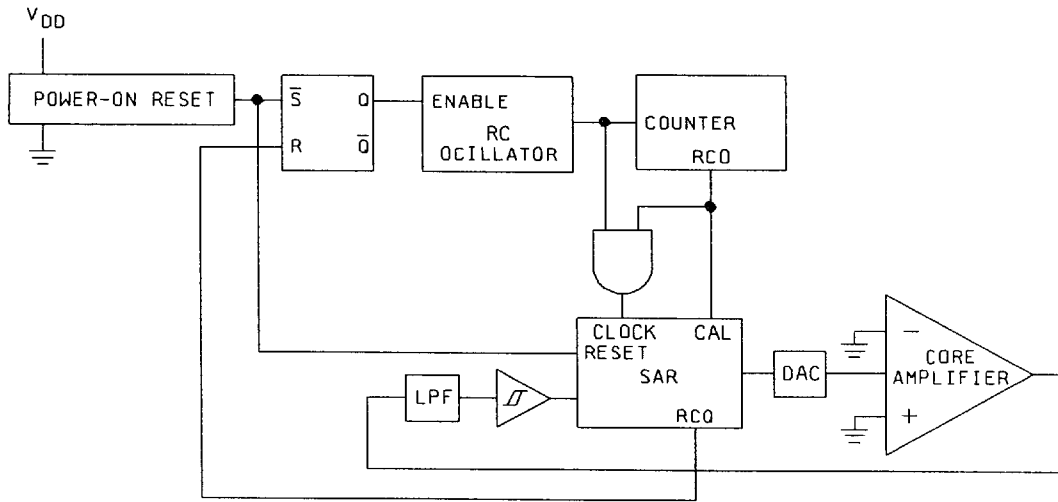
NC = No connection

FIGURE 1. Terminal connections.

<b>STANDARD MICROCIRCUIT DRAWING</b>  <b>DEFENSE SUPPLY CENTER COLUMBUS COLUMBUS, OHIO 43216-5000</b>	SIZE <b>A</b>		<b>5962-97537</b>
		REVISION LEVEL	SHEET 6

DSCC FORM 2234  
APR 97

■ 9004708 0029230 022 ■



NOTE: During the calibration procedure, the operational amplifier is removed from the signal path and both inputs are tied to ground. This diagram is specified under calibration.

FIGURE 2. Block diagram.

<b>STANDARD MICROCIRCUIT DRAWING</b>  <b>DEFENSE SUPPLY CENTER COLUMBUS COLUMBUS, OHIO 43216-5000</b>	SIZE <b>A</b>		<b>5962-97537</b>
		REVISION LEVEL	SHEET 7

DSCC FORM 2234  
APR 97

■ 9004708 0029231 T69 ■

查询"5962-9753701Q2A"供应商

3.7 Certificate of conformance. A certificate of conformance as required for device classes Q and V in MIL-PRF-38535 or for device class M in MIL-PRF-38535, appendix A shall be provided with each lot of microcircuits delivered to this drawing.

3.8 Notification of change for device class M. For device class M, notification to DSCC -VA of change of product (see 6.2 herein) involving devices acquired to this drawing is required for any change as defined in MIL-STD-973.

3.9 Verification and review for device class M. For device class M, DSCC, DSCC's agent, and the acquiring activity retain the option to review the manufacturer's facility and applicable required documentation. Offshore documentation shall be made available onshore at the option of the reviewer.

3.10 Microcircuit group assignment for device class M. Device class M devices covered by this drawing shall be in microcircuit group number 73 (see MIL-PRF-38535, appendix A).

#### 4. QUALITY ASSURANCE PROVISIONS

4.1 Sampling and inspection. For device classes Q and V, sampling and inspection procedures shall be in accordance with MIL-PRF-38535 or as modified in the device manufacturer's Quality Management (QM) plan. The modification in the QM plan shall not affect the form, fit, or function as described herein. For device class M, sampling and inspection procedures shall be in accordance with MIL-PRF-38535, appendix A.

4.2 Screening. For device classes Q and V, screening shall be in accordance with MIL-PRF-38535, and shall be conducted on all devices prior to qualification and technology conformance inspection. For device class M, screening shall be in accordance with method 5004 of MIL -STD-883, and shall be conducted on all devices prior to quality conformance inspection.

##### 4.2.1 Additional criteria for device class M.

a. Burn-in test, method 1015 of MIL-STD-883.

(1) Test condition B or D. The test circuit shall be maintained by the manufacturer under document revision level control and shall be made available to the preparing or acquiring activity upon request. The test circuit shall specify the inputs, outputs, biases, and power dissipation, as applicable, in accordance with the intent specified in test method 1015.

(2)  $T_A = +125^\circ\text{C}$ , minimum.

b. Interim and final electrical test parameters shall be as specified in table II herein.

##### 4.2.2 Additional criteria for device classes Q and V.

a. The burn-in test duration, test condition and test temperature, or approved alternatives shall be as specified in the device manufacturer's QM plan in accordance with MIL-PRF-38535. The burn -in test circuit shall be maintained under document revision level control of the device manufacturer's Technology Review Board (TRB) in accordance with MIL-PRF-38535 and shall be made available to the acquiring or preparing activity upon request. The test circuit shall specify the inputs, outputs, biases, and power dissipation, as applicable, in accordance with the intent specified in test method 1015 of MIL-STD-883.

b. Interim and final electrical test parameters shall be as specified in table II herein.

c. Additional screening for device class V beyond the requirements of device class Q shall be as specified in MIL-PRF-38535, appendix B.

4.3 Qualification inspection for device classes Q and V. Qualification inspection for device classes Q and V shall be in accordance with MIL-PRF-38535. Inspections to be performed shall be those specified in MIL-PRF-38535 and herein for groups A, B, C, D, and E inspections (see 4.4.1 through 4.4.4).

<b>STANDARD MICROCIRCUIT DRAWING</b>	<b>SIZE A</b>		<b>5962-97537</b>
		REVISION LEVEL	SHEET 8
<b>DEFENSE SUPPLY CENTER COLUMBUS COLUMBUS, OHIO 43216-5000</b>			

DSCC FORM 2234  
APR 97

■ 9004708 0029232 9T5 ■



TABLE II. Electrical test requirements.

Test requirements	Subgroups (in accordance with MIL-STD-883, method 5005, table I)	Subgroups (in accordance with MIL-PRF-38535, table III)	
	Device class M	Device class Q	Device class V
Interim electrical parameters (see 4.2)	---	---	---
Final electrical parameters (see 4.2)	1,2,3,4,5,6 1/	1,2,3,4,5,6 1/	1,2,3,4,5,6 1/
Group A test requirements (see 4.4)	1,2,3,4,5,6	1,2,3,4,5,6	1,2,3,4,5,6
Group C end-point electrical parameters (see 4.4)	1	1	1
Group D end-point electrical parameters (see 4.4)	1	1	1
Group E end-point electrical parameters (see 4.4)	1	1	1

1/ PDA applies to subgroup 1.

4.4 Conformance inspection. Technology conformance inspection for classes Q and V shall be in accordance with MIL-PRF-38535 including groups A, B, C, D, and E inspections and as specified herein except where option 2 of MIL-PRF-38535 permits alternate in-line control testing. Quality conformance inspection for device class M shall be in accordance with MIL-PRF-38535, appendix A and as specified herein. Inspections to be performed for device class M shall be those specified in method 5005 of MIL -STD-883 and herein for groups A, B, C, D, and E inspections (see 4.4.1 through 4.4.4).

4.4.1 Group A inspection.

- a. Tests shall be as specified in table II herein.
- b. Subgroups 7, 8, 9, 10, and 11 in table, method 5005 of MIL-STD-883 shall be omitted.

4.4.2 Group C inspection. The group C inspection end-point electrical parameters shall be as specified in table II herein.

4.4.2.1 Additional criteria for device class M. Steady-state life test conditions, method 1005 of MIL -STD-883:

- a. Test condition B or D. The test circuit shall be maintained by the manufacturer under document revision level control and shall be made available to the preparing or acquiring activity upon request. The test circuit shall specify the inputs, outputs, biases, and power dissipation, as applicable, in accordance with the intent specified in test method 1005 of MIL-STD-883.
- b. T<sub>A</sub> = +125°C, minimum.
- c. Test duration: 1,000 hours, except as permitted by method 1005 of MIL -STD-883.

<b>STANDARD MICROCIRCUIT DRAWING</b>	<b>SIZE A</b>		<b>5962-97537</b>
		REVISION LEVEL	SHEET 9
<b>DEFENSE SUPPLY CENTER COLUMBUS COLUMBUS, OHIO 43216-5000</b>			

DSCC FORM 2234  
APR 97

■ 9004708 0029233 831 ■

## 查询"5962-9753701Q2A"供应商

4.4.2 Additional criteria for device classes Q and V. The steady-state life test duration, test condition and test temperature, or approved alternatives shall be as specified in the device manufacturer's QM plan in accordance with MIL-PRF-38535. The test circuit shall be maintained under document revision level control by the device manufacturer's TRB in accordance with MIL-PRF-38535 and shall be made available to the acquiring or preparing activity upon request. The test circuit shall specify the inputs, outputs, biases, and power dissipation, as applicable, in accordance with the intent specified in test method 1005 of MIL-STD-883.

4.4.3 Group D inspection. The group D inspection end-point electrical parameters shall be as specified in table II herein.

4.4.4 Group E inspection. Group E inspection is required only for parts intended to be marked as radiation hardness assured (see 3.5 herein).

- a. End-point electrical parameters shall be as specified in table II herein.
- b. For device classes Q and V, the devices or test vehicle shall be subjected to radiation hardness assured tests as specified in MIL-PRF-38535 for the RHA level being tested. For device class M, the devices shall be subjected to radiation hardness assured tests as specified in MIL-PRF-38535, appendix A for the RHA level being tested. All device classes must meet the postirradiation end-point electrical parameter limits as defined in table I at  $T_A = +25^{\circ}\text{C} \pm 5^{\circ}\text{C}$ , after exposure, to the subgroups specified in table II herein.
- c. When specified in the purchase order or contract, a copy of the RHA delta limits shall be supplied.

## 5. PACKAGING

5.1 Packaging requirements. The requirements for packaging shall be in accordance with MIL-PRF-38535 for device classes Q and V or MIL-PRF-38535, appendix A for device class M.

## 6. NOTES

6.1 Intended use. Microcircuits conforming to this drawing are intended for use for Government microcircuit applications (original equipment), design applications, and logistics purposes.

6.1.1 Replaceability. Microcircuits covered by this drawing will replace the same generic device covered by a contractor-prepared specification or drawing.

6.1.2 Substitutability. Device class Q devices will replace device class M devices.

6.2 Configuration control of SMD's. All proposed changes to existing SMD's will be coordinated with the users of record for the individual documents. This coordination will be accomplished in accordance with MIL-STD-973 using DD Form 1692, Engineering Change Proposal.

6.3 Record of users. Military and industrial users should inform Defense Supply Center Columbus when a system application requires configuration control and which SMD's are applicable to that system. DSCC will maintain a record of users and this list will be used for coordination and distribution of changes to the drawings. Users of drawings covering microelectronic devices (FSC 5962) should contact DSCC-VA, telephone (614) 692-0525.

6.4 Comments. Comments on this drawing should be directed to DSCC-VA, Columbus, Ohio 43216-5000, or telephone (614) 692-0674.

6.5 Abbreviations, symbols, and definitions. The abbreviations, symbols, and definitions used herein are defined in MIL-PRF-38535 and MIL-HDBK-1331.

<b>STANDARD MICROCIRCUIT DRAWING</b>	<b>SIZE A</b>		<b>5962-97537</b>
		REVISION LEVEL	SHEET 10
<b>DEFENSE SUPPLY CENTER COLUMBUS COLUMBUS, OHIO 43216-5000</b>			

DSCC FORM 2234  
APR 97

■ 9004708 0029234 778 ■

查询"5962-9753701Q2A"供应商

6.6 Sources of supply.

6.6.1 Sources of supply for device classes Q and V. Sources of supply for device classes Q and V are listed in QML-38535. The vendors listed in QML-38535 have submitted a certificate of compliance (see 3.6 herein) to DSCC-VA and have agreed to this drawing.

6.6.2 Approved sources of supply for device class M. Approved sources of supply for class M are listed in MIL-HDBK-103. The vendors listed in MIL-HDBK-103 have agreed to this drawing and a certificate of compliance (see 3.6 herein) has been submitted to and accepted by DSCC -VA.

<b>STANDARD MICROCIRCUIT DRAWING</b>	<b>SIZE A</b>		<b>5962-97537</b>
	<b>DEFENSE SUPPLY CENTER COLUMBUS COLUMBUS, OHIO 43216-5000</b>	REVISION LEVEL	SHEET 11

DSCC FORM 2234  
APR 97

■ 9004708 0029235 604 ■

[查询"5962-9753701Q2A"供应商](#)

STANDARD MICROCIRCUIT DRAWING BULLETIN

DATE: 97-04-29

Approved sources of supply for SMD 5962-97537 are listed below for immediate acquisition information only and shall be added to MIL-HDBK-103 and QML-38535 during the next revision. MIL-HDBK-103 and QML-38535 will be revised to include the addition or deletion of sources. The vendors listed below have agreed to this drawing and a certificate of compliance has been submitted to and accepted by DSCC -VA. This bulletin is superseded by the next dated revision of MIL-HDBK-103 and QML-38535.

Standard microcircuit drawing PIN <u>1/</u>	Vendor CAGE number	Vendor similar PIN <u>2/</u>
5962-9753701QHA	01295	TLC4502MUB
5962-9753701QPA	01295	TLC4502MJGB
5962-9753701Q2A	01295	TLC4502MFKB
5962-9753702QHA	01295	TLC4502AMUB
5962-9753702QPA	01295	TLC4502AMJGB
5962-9753702Q2A	01295	TLC4502AMFKB

1/ The lead finish shown for each PIN representing a hermetic package is the most readily available from the manufacturer listed for that part. The device manufacturers listed herein are authorized to supply alternate lead finishes "A", "B", or "C" at their discretion. Contact the listed approved source of supply for further information.

2/ Caution. Do not use this number for item acquisition. Items acquired to this number may not satisfy the performance requirements of this drawing.

Vendor CAGE number

01295

Vendor name and address

Texas Instruments Incorporated  
13500 N. Central Expressway  
P.O. Box 655303  
Dallas, TX 75265  
Point of contact: I-20 at FM 1788  
Midland, TX 79711-0448

The information contained herein is disseminated for convenience only and the Government assumes no liability whatsoever for any inaccuracies in the information bulletin.

■ 9004708 0029236 540 ■