

D Sub

Plug Connector

898 Series

[查询"89815-8000"供应商](#)



- Preassembled, one-piece body can reduce assembly time to one-third
- Available in 9, 15, 25 and 37 positions
- Accepts .050" flat ribbon and discrete wire, 26 and 28 AWG, solid and stranded cable
- Choice of preassembled open or closed covers
- Friction dimples give EMI/ESD protection
- Special locator plate reduces the risk of misalignment during assembly
- Fiber-free PVC blister packages of 25 speed loading of automated assembly equipment
- Threaded inserts for built-in convenience
- Cable strain relief, hooking directly to the metal shell, available

Date Modified: September 23, 1999

TS-0483-08
Sheet 1 of 3

100

Physical

Insulation

Material: Glass Filled Polyester (PBT)
Flammability: UL 94V-0
Color: Gray

Contact

Material: Phosphor Bronze
Plating
Underplate: 50 μ " (1.27 μ m) Nickel — QQ-N-290, Class 2
Wiping Area: 15 μ " (0.38 μ m) Gold — MIL-G-45204, Type II, Grade C

Shell

Material: Steel
Plating: Tin

Strain Relief Material: Stainless Steel .016 (0.40) Thick

Wire Accommodation: 26 & 28 AWG Solid or Stranded

Marking: 3M Logo & Contact Position Numbers

Electrical

Current Rating: 1 A

Insulation Resistance: $> 1 \times 10^9 \Omega$ at 500 VDC

Withstanding Voltage: 1000 Vrms at Sea Level

Environmental

Temperature Rating: -55° to $+105^\circ$

UL File No.: E68080

3M Interconnect Solutions Division

6801 River Place Blvd.
Austin, TX 78726-9000

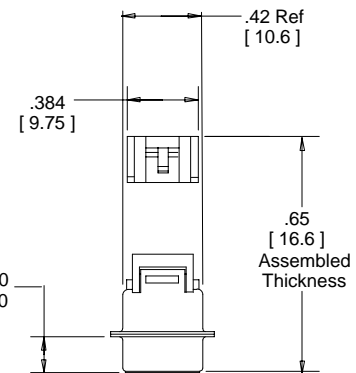
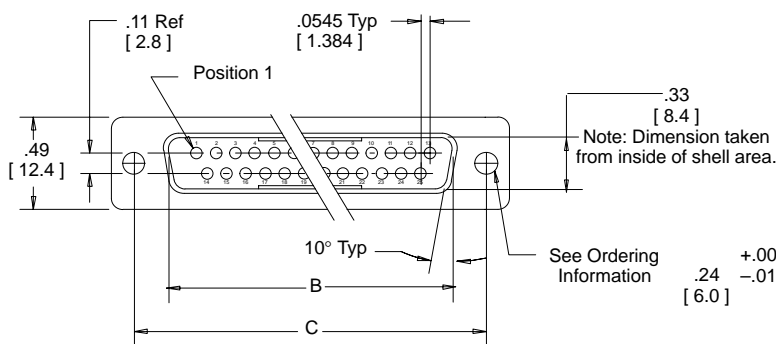
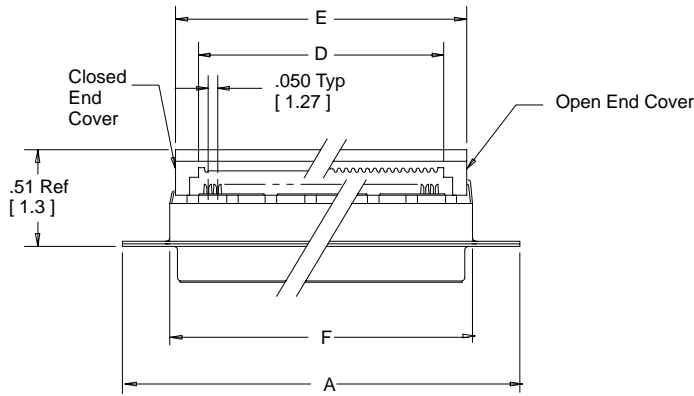
For technical, sales or ordering information call
800-225-5373

D Sub Plug Connector

898 Series

[查询"89815-8000"供应商](#)

Contact Quantity	Dimensions					
	A	B	C	D	E	F ± .008
09	1.23 [31.2]	.67 [17.0]	.98 [24.9]	.46 [11.7]	.67 [17.0]	.70 [17.7]
15	1.56 [39.6]	1.00 [25.4]	1.31 [33.3]	.76 [19.3]	.99 [25.2]	1.03 [26.2]
25	2.10 [53.3]	1.54 [39.1]	1.85 [47.0]	1.27 [32.3]	1.54 [39.1]	1.57 [39.9]
37	2.74 [69.6]	2.18 [55.4]	2.50 [63.5]	1.87 [47.5]	2.19 [55.6]	2.22 [56.4]



Inch [mm]		
Tolerance Unless Noted		
	.0	.00
	.00	.000
Inch	±.1	±.01
		±.005

[] Dimensions for Reference only

Ordering Information

Connector 898XX-X00X

Contact Quantity

Cover Style:
8 = Open Cover
9 = Closed Cover
Closed End along Pin #1 Row

Mounting Style:
0 = ∅ .120 Hole
3 = 4-40 UNC

Strain Relief (Order Separately) 3448-8DXXA

09 = 9 Position
15 = 15 Position
25 = 25 Position
37 = 37 Position

TS-0483-08
Sheet 2 of 3

3M Interconnect Solutions Division

6801 River Place Blvd.
Austin, TX 78726-9000

For technical, sales or ordering information call
800-225-5373

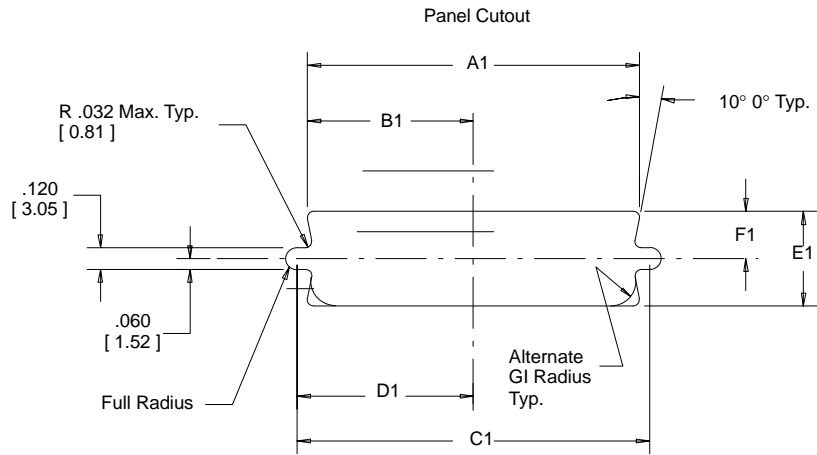
D Sub Plug Connector

898 Series

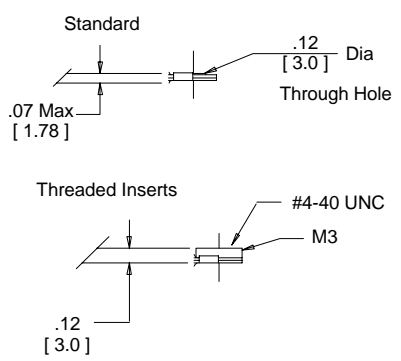
[查询"89815-8000"供应商](#)

Mounting Method*	Contact Quantity	Dimensions						
		A1	B1	C1	D1	E1	F1	G1
Front	9	.87 [22.0]	.44 [11.2]	.98 [24.9]	.49 [12.5]	.51 [13.0]	.26 [6.6]	.12 [3.1]
	15	1.20 [30.5]	.60 [15.2]	1.31 [33.3]	.66 [16.8]			
	25	1.74 [44.2]	.87 [22.1]	1.85 [47.0]	.93 [23.6]			
	37	2.39 [60.7]	1.20 [30.5]	2.50 [63.5]	1.25 [31.8]			
Rear	9	.81 [20.6]	.40 [10.2]	.98 [25.0]	.49 [12.5]	.45 [11.4]	.22 [5.8]	.12 [3.1]
	15	1.13 [28.7]	.57 [14.5]	1.31 [33.3]	.66 [16.8]			
	25	1.67 [42.4]	.84 [21.3]	1.85 [47.0]	.93 [23.6]			
	37	2.33 [59.2]	1.16 [29.5]	2.50 [63.5]	1.25 [31.6]			

* Front Mount—The connector is mounted in front of the panel.
Rear Mount—The connector is mounted behind the panel.



Mounting Styles



Strain Relief (Order Separately or with Connector)

