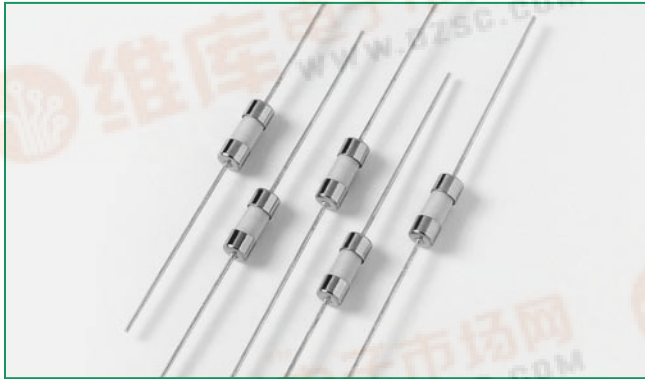



[查询"0874005.MXEP"供应商](#)
RoHS **Pb** **874 Series Fuse, Lead-free 3.6 x 10 mm, Fast-Acting Fuse**


| Agency | Agency File Number | Ampere Range |
|---|--------------------|---------------|
|  | E10480 | 0.100A - 10 A |

Description

Single Pigtail Axial Lead 3.6 x 10mm Fast-Acting Fuse

Features

- Designed to UL/CSA 248 Standard
- Single Pigtail Axial Lead format
- Fast Acting, Ceramic body fuse in a compact package
- Pb-free, RoHS Compliant
- Available in ratings of 0.10 to 10 Amperes


Applications

This space saving fuse is ideally suited for lighting, power supply, and adapter applications.

Electrical Characteristics

| % of Ampere Rating | Opening Time |
|--------------------|--------------------|
| 100% | 4 hours, Minimum |
| 200% | 5 seconds, Maximum |

Electrical Characteristics

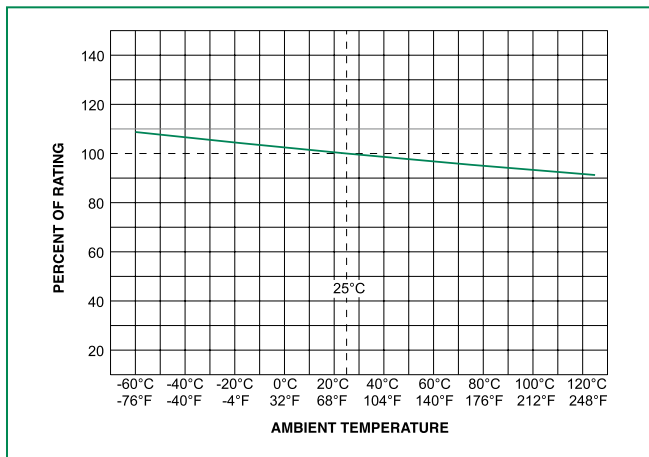
| Amp Code | Ampere Rating (A) | Voltage Rating (V) | Interrupting Rating | Nominal Cold Resistance (Ohms) | Nominal Melting I ² t (A ² sec) | Agency Approvals |
|----------|-------------------|--------------------|---------------------|--------------------------------|---|---|
| | | | | | |  |
| .100 | 0.100 | 250 | 50A @ 250 VAC | 3.000 | 0.0054 | x |
| .125 | 0.125 | 250 | | 2.0600 | 0.0072 | x |
| .200 | 0.200 | 250 | | 0.9200 | 0.0165 | x |
| .250 | 0.250 | 250 | | 0.6920 | 0.030 | x |
| .300 | 0.300 | 250 | | 0.5800 | 0.039 | x |
| .400 | 0.400 | 250 | | 0.3655 | 0.120 | x |
| .500 | 0.500 | 250 | | 0.2964 | 0.236 | x |
| .600 | 0.600 | 250 | | 0.2667 | 0.245 | x |
| .750 | 0.750 | 250 | | 0.2130 | 0.256 | x |
| .800 | 0.800 | 250 | | 0.1600 | 0.390 | x |
| 001. | 1.00 | 250 | | 0.0860 | 0.406 | x |
| 01.5 | 1.50 | 250 | | 0.0563 | 0.974 | x |
| 01.6 | 1.60 | 250 | | 0.0525 | 0.973 | x |
| 002. | 2.00 | 250 | | 0.0400 | 1.812 | x |
| 02.5 | 2.50 | 250 | | 0.0329 | 2.675 | x |
| 3.15 | 3.15 | 250 | | 0.0216 | 5.904 | x |
| 004. | 4.00 | 250 | | 0.0195 | 10.03 | x |
| 04.5 | 4.50 | 250 | | 0.0146 | 14.42 | x |
| 005. | 5.00 | 250 | | 0.0139 | 14.58 | x |
| 006. | 6.00 | 250 | | 0.0111 | 23.08 | x |
| 06.3 | 6.30 | 250 | 0.01074 | 22.90 | x | |
| 06.5 | 6.50 | 250 | 0.0100 | 35.24 | x | |
| 007. | 7.00 | 250 | 0.0099 | 36.90 | x | |
| 008. | 8.00 | 250 | 0.0087 | 43.97 | x | |
| 010. | 10.00 | 250 | 0.0066 | 70.10 | x | |

Notes:
Cold resistance measured at less than 10% of rated current at 23°C.

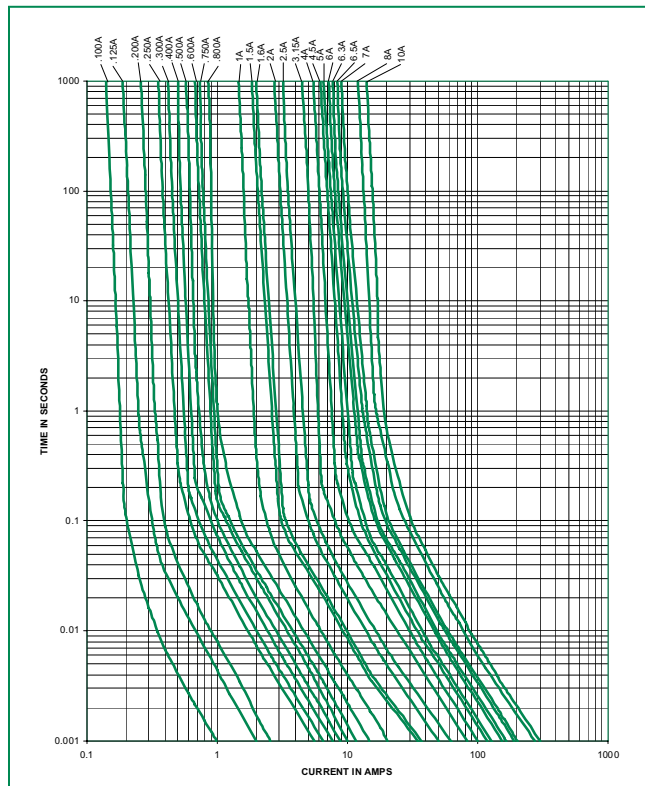


查询"0874005.MXEP"供应商

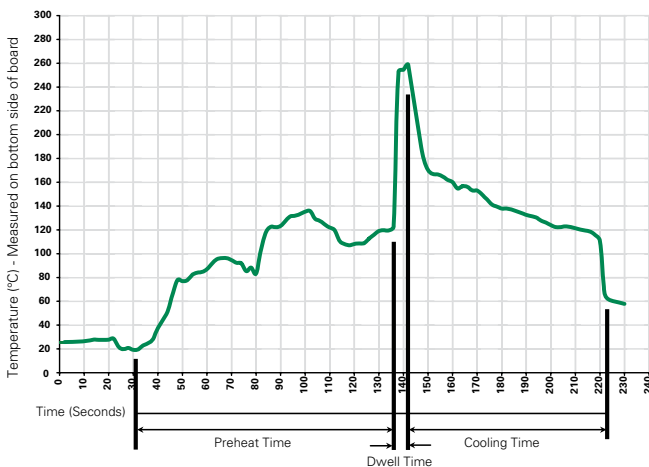
Temperature Derating Curve



Average Time Current Curves



Soldering Parameters - Wave Soldering



Recommended Process Parameters:

| Wave Parameter | Lead-Free Recommendation |
|---|--------------------------|
| Preheat: (Depends on Flux Activation Temperature) (Typical Industry Recommendation) | |
| Temperature Minimum: | 100° C |
| Temperature Maximum: | 150° C |
| Preheat Time: | 60-180 seconds |
| Solder Pot Temperature: | 260° C Maximum |
| Solder Dwell Time: | 2-5 seconds |

Recommended Hand-Solder Parameters:

Solder Iron Temperature: 350° C +/- 5° C
 Heating Time: 5 seconds max.

Note: These devices are not recommended for IR or Convection Reflow process.

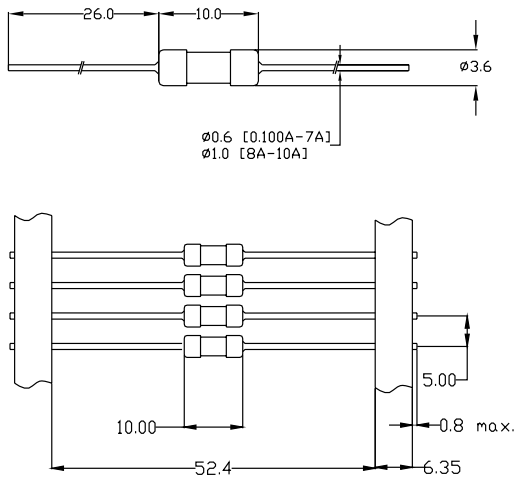
[查询"0874005.MXEP"供应商](#)

Product Characteristics

| | |
|--------------------------|---|
| Materials | Body: Ceramic Cap: Nickel Plated Brass Tin Plated Copper |
| Terminal Strength | MIL-STD-202F Method 211A, Test Condition A |
| Solderability | Reference IEC 60127 Second Edition 2003-01 Annex A |
| Product Marketing | Body: Brand Logo, Current Rating Characteristic "F"; Agency approval marks |
| Packaging | Bulk (1000 pcs/pkg) Tape & Reel (1000 pcs/reel) |

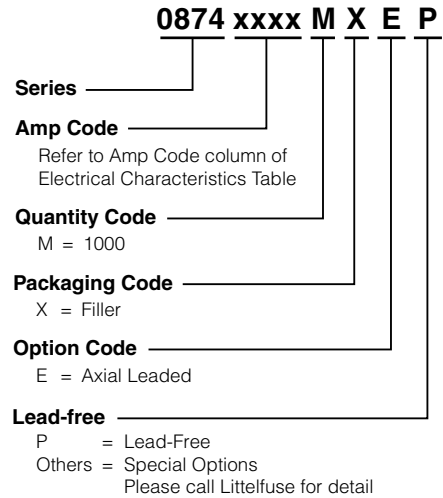
| | |
|------------------------------|--|
| Operating Temperature | -55°C to 125°C |
| Thermal Shock | MIL-STD-202F, Method 107G Test Condition B3 (5 cycles -65°C to +125°C) |
| Vibration | MIL-STD-202F, Method 201A (10-55 Hz) |
| Humidity | MIL-STD-202, Method 106, High Humidity (90-98%RH), Heat (65°C) |
| Salt Spray | MIL-STD-202F, Method 101D, Test Condition B |

Dimensions



All dimensions in mm

Part Numbering System



Packaging

| Packaging Option | Packaging Specification | Quantity | Quantity & Packaging Code | Taping Width |
|-------------------|-------------------------|----------|---------------------------|--------------------|
| 874 Series | | | | |
| Bulk | Bulk | 1000 | MXE | N/A |
| Tape and Reel | EIA 296 | 1000 | MRET1 | T1 = 52mm (2.062") |