

FEATURES AND SPECIFICATIONS

[查询"39484-0006"供应商](#)

Bring up to 10 amps of power directly to the board while conserving PCB real estate

The new 4.00mm (.157") pitch positive-locking terminal block connection system from Molex takes our already popular and patented design to the next level. Modeled after our Eurostyle™ Series 39980, 5.08mm (.200") pitch and Eurostyle Series 39990, 5.00mm (.197") pitch products, this 4.00mm (.157") pitch system performs exactly the same as its larger relatives but takes up less space on the board.

With today's trend towards miniaturization, this system allows customers to use up to 12 AWG wire to bring 10.0A of current directly to the board with a smaller pitch, conserving valuable PCB real estate without

sacrificing performance. The unique positive-locking feature requires a standard screwdriver to disengage the plug from the header. Once mated, the connection is secure even in vibration-prone applications.

Molded from a glass-filled high temperature Polyamide 46, the PCB headers are ideal for applications that require reflow-solder capability. The positive-locking terminal block connection system is available in circuit sizes 2 through 12.

For additional information about this product visit: http://www.molex.com/product/poslatch_tb.html.

Features and Benefits

- Low-profile design provides a mated mounting height that is 25% shorter than a standard 5.00mm (.197") pitch vertical plug/header mated pair
- Positive-locking design requires a screwdriver to unmate the plug from the header ensuring a secure connection in vibration-prone applications and reduces the overall space required on the board by eliminating the need for traditional mounting ends
- PCB headers are molded from high-temperature glass-filled PA46 nylon to withstand reflow-solder temperatures, which eliminates the need for a secondary wave-solder process
- Design of plugs and headers includes a polarizing feature preventing mismatching and also provides an audible indication when fully mated



4.00mm (.157") Pitch Positive-Locking Terminal Block System

39484 Tin-plated Plugs

39485 Tin-plated PCB Headers



4.00mm (.157") Positive-Locking Terminal Block System

SPECIFICATIONS

Reference Information

Packaging: Tray
UL File No.: E48521, Pending
Flammability Rating: UL 94V-0
Mates With: 39484 mates with 39485
Designed In: Inches

Electrical

Voltage (max.): 300V
Current (max.): 10.0A (using 12 AWG wire)
Dielectric Withstanding Voltage: 1600V AC
Insulation Resistance: 5000 Megohms min.

Mechanical

Wire Range: 12 to 24 AWG
Wire Strip Length: 6.40mm (.250")
Recommended Tightening Torque: 0.45 N-m (4 in-lbs.)
Plug Retention: 2 and 3 circuits – 8.9N (2 lbs.) min.
4 to 24 circuits – 44.5N (10 lbs.) min.
Durability (min.): 25 mating cycles

Physical

Housing: Polyamide PA46, glass-filled Nylon, Black
Plug Terminal: Phosphor Bronze
Plug Screw: Steel
Cage Clamp: Brass
Header Pin: Brass
Plating:
Plug Terminal – Hot Tin Dip, 3.8µm (150µin) min.
Plug Screw – Nickel, 3.8µm (150µin) min.
Cage Clamp – Nickel, 2.5µm (100µin) min.
Header Pin – Tin, 2.5µm (100µin) min.
over Nickel, 1.3µm (50µin) min.
Operating Temperature: -40 to +140°C



APPLICATIONS

[查询"39484-0006"供应商](#)

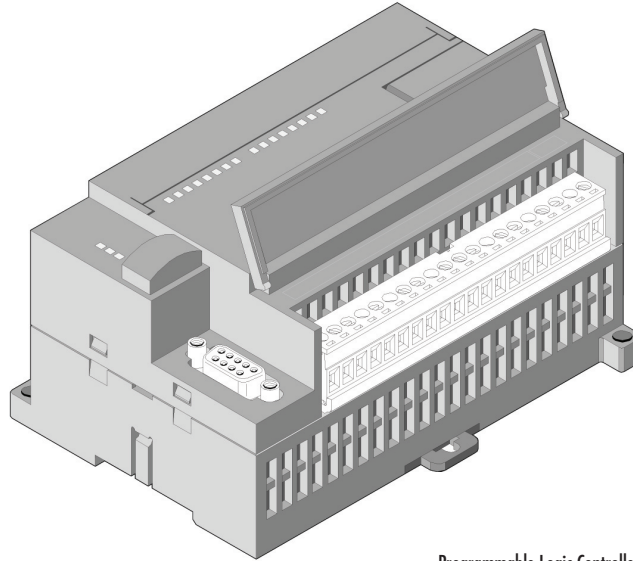


4.00mm (.157") Pitch Positive-Locking Terminal Block System

39484 Tin-plated Plugs

39485 Tin-plated PCB Headers

- Instrumentation
- Sensors and transmitters
- Programmable logic controllers (PLCs)
- Elevator and conveyance controls
- Large-scale integration
- Industrial network interface
- High-end security and building controls



Programmable Logic Controller

ORDERING INFORMATION

Plug	PCB Header	Circuit Size	Terminal Plating
39484-0002	39485-0002	2	Tin
39484-0003	39485-0003	3	
39484-0004	39485-0004	4	
39484-0005	39485-0005	5	
39484-0006	39485-0006	6	
39484-0007	39485-0007	7	
39484-0008	39485-0008	8	
39484-0009	39485-0009	9	
39484-0010	39485-0010	10	
39484-0011	39485-0011	11	
39484-0012	39485-0012	12	

http://www.molex.com/product/poslatch_tb.html

Americas Headquarters
Lisle, Illinois 60532 U.S.A.
1-800-78MOLEX
amerinfo@molex.com

Asia Pacific North Headquarters
Yamato, Kanagawa, Japan
81-46-265-2325
apninfo@molex.com

Asia Pacific South Headquarters
Jurong, Singapore
65-6268-6868
apsinfo@molex.com

European Headquarters
Munich, Germany
49-89-413092-0
eurinfo@molex.com

Corporate Headquarters
2222 Wellington Ct.
Lisle, IL 60532 U.S.A.
P: 630-969-4550 F: 630-969-1352