



MS SERIES

www.gamewell.fci.com

NON-CODED, MANUAL FIRE ALARM STATIONS

Model MS-2, MS-2H

The MS-2 manual fire alarm stations are dual action devices. These stations require that the outer door be lifted to expose the actuation door which is then pulled forward to operate the alarm toggle switch. The actuation door is now locked in the readily observable "alarm" position.

To reset the station, a key (common to FCI control panels) must be inserted and turned ¼ turn clockwise, opening the station. Closing the station resets the switch automatically.

An optional breakglass rod is available for positive indication of station operation.

Model MS-2L (Institutional)

Operation of the Model MS-2L institutional station requires that a special key be used to release the actuation door before it can be operated.

Model MS-2-D (Multiple Contact)

The MS-2-D features a DPST switch for multiple signaling via wire lead connections.

Model MS-6 (Single Action)

The MS-6 station is a single action device, requiring only the pulling of the action door to release the compressed button switch. It is available either with terminals (MS-6T) or wire leads (MS-6).

The station resets in the same manner as the MS-2. The reset key is common to FCI control panels.

FEATURES

- **Single and Dual Action Versions**
- **Tumbler Lock for Test and Reset**
Keyed Alike with FCI Control Panels
- **Rugged Metal Construction**
- **Positive Indication of Operation**
over 180° Viewing Angle
- **Surface or Semi-flush Mounting**
- **Shock and Vibration Resistant**
- **Institutional Version (MS-2L)**
- **Optional "FIRE SUPPRESSION SYSTEM RELEASE" Markings (MS-2H)**
- **Optional DPST Switch (MS-2-D)**



MS-2



MS-2H



MS-6



LISTED



APPROVED

MEA
Approved



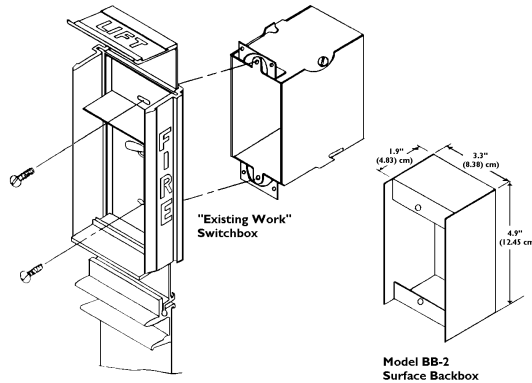
An ISO 9001 Company

Specifications are provided for information only, are not intended to be used for installation purposes and are believed to be accurate. However, no responsibility is assumed by Gamewell-FCI for their use. Specifications subject to change without notice.
© 2006 All Rights Reserved.





MS SERIES



AGENCY APPROVALS

UL (Std 38)
FM (MS-2)
 (MS-6, MS-6T)
C.S.F.M.
NYC-BS&A (MS-2)
NYC-MEA (MS-6)

File S2465
 OJ3A9.AY/12880
 1D4A7.AY
 7150-0694:107
 960-81-SA
 103-93-E

SPECIFICATIONS

Material (MS-2, MS-6)
Doors (MS-2, MS-6)
Switch Type
 MS-2
 MS-6
Contact Material
Contact Ratings
 MS-2
 MS-6
Dimensions (overall)
 MS-2, MS-6

Extruded 6063/T5 aluminium
 Clear anodize

 Enclosed toggle
 Enclosed push button
 Silver plated bronze or copper

 6 amp. max. @ 30 VDC (resistive)
 0.5 amp. max. @ 30 VDC (resistive)

 5" H x 3.4" W x 2.8" D (12.7 cm x 8.64 cm x 7.11 cm)

ORDERING INFORMATION

Part No.	Model	Description
1100-0615	MS-2	Dual action fire alarm station
1100-0634	MS-2H	Dual action station with "FIRE SUPPRESSION SYSTEM RELEASE" markings
1100-0621	MS-2L	Institutional fire alarm station
1100-0617	MS-2-D	Dual action station with DPST switch
1100-0632	MS-6	Single action station, wire leads
1100-0633	MS-6T	Single action station, terminals
2520-0023	BB-2	Surface back box for MS-2, MS-6 stations
1120-0206		Package of two replacement breakglass rods for MS-2 station

Specifications are provided for information only, are not intended to be used for installation purposes and are believed to be accurate. However, no responsibility is assumed by Gamewell-FCI, for their use. Specifications subject to change without notice.

© 2006 All Rights Reserved

GAMEWELL-FCI

12 Clintonville Road, Northford, CT 06472 - Tel: (203) 484-7161 - Fax: (203) 484-7118
www.gamewell.fci.com

This datasheet has been downloaded from:

www.EEworld.com.cn

Free Download

Daily Updated Database

100% Free Datasheet Search Site

100% Free IC Replacement Search Site

Convenient Electronic Dictionary

Fast Search System

www.EEworld.com.cn