

LOW CURRENT PANEL MOUNT 1mm SOCKET

PRODUCT SPECIFICATION

Sheet No. **PS 0479**

Date : 15.05.95

Issue No. 2

Sheet 1 of 1

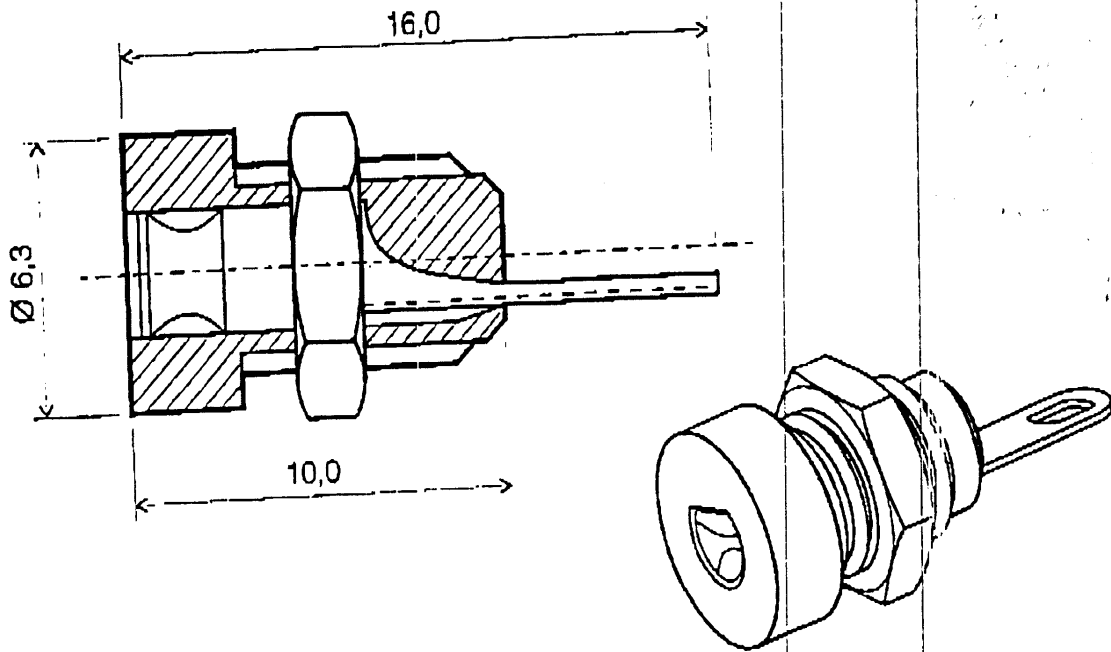
Signature

Deltron Part No. **449-0100 BLACK**

147-008

= **449-0500 RED**

Dimensions



DIMENSIONS IN MILLIMETRES

Description

A range of 1mm sockets which offer an ideal interfacing system. This panel mounting socket is silver plated, with a solder tag connection, and is supplied with a locking nut for ease of panel installation.

Features

- MATERIAL
- BODY : KEMETAL M50-04
- SOCKET CONTACT : Brass, silver plate
- NUT : Brass, bright nickel plate
- RATING : 3 Amps 250 Volts