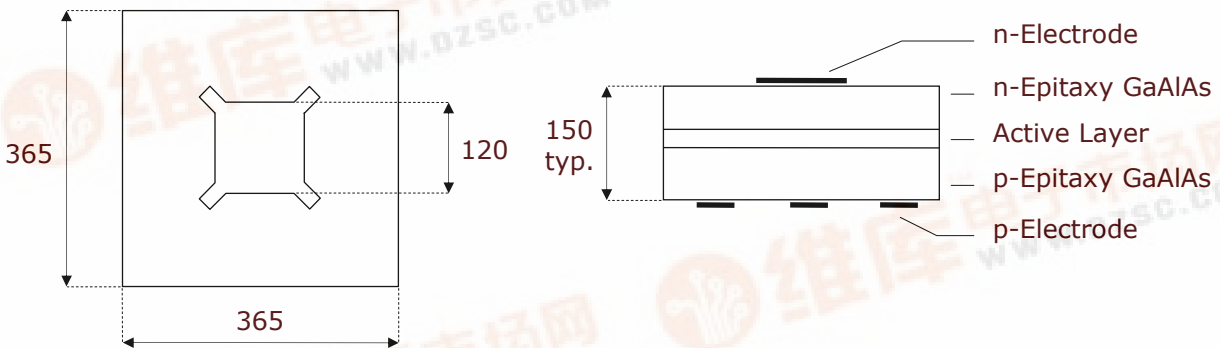


INFRA-RED **Item No.: 135144**

1. This specification applies to GaAlAs / GaAlAs Chips (substrate removed)
2. Structure
 - 2.1 Mesa structure
 - 2.2 Electrodes

p-side (anode)	Au alloy
n-side (cathode)	Au alloy
3. Outlines (dimensions in microns)



Wire bond contacts can also be square

4. Electrical and optical characteristics (T=25°C)

Parameter	Symbol	Conditions	min	typ	max	Unit
Forward voltage	V_F	$I_F = 20 \text{ mA}$		1,55	1,80	V
Reverse voltage	V_R	$I_R = 10 \text{ }\mu\text{A}$	5			V
output Power	Φ_e	$I_F = 20 \text{ mA}$	2,5	3,4		mW
Switching time	t_r, t_f	$I_F = 20 \text{ mA}$		35		ns
Peak wavelength	λ_p	$I_F = 20 \text{ mA}$		840		nm

Power measurement at OSA on gold plate

5. Packing
 - Dice on adhesive film with 1) wire bond side on top
 - 2) back contact on top

6. Labeling

Type	Lot No.	Φ_e typ min max	Quantity
------	---------	----------------------------	----------