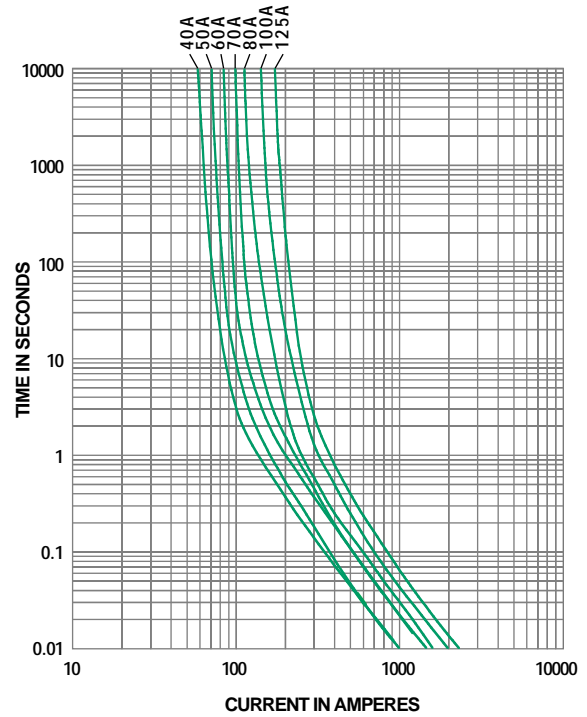
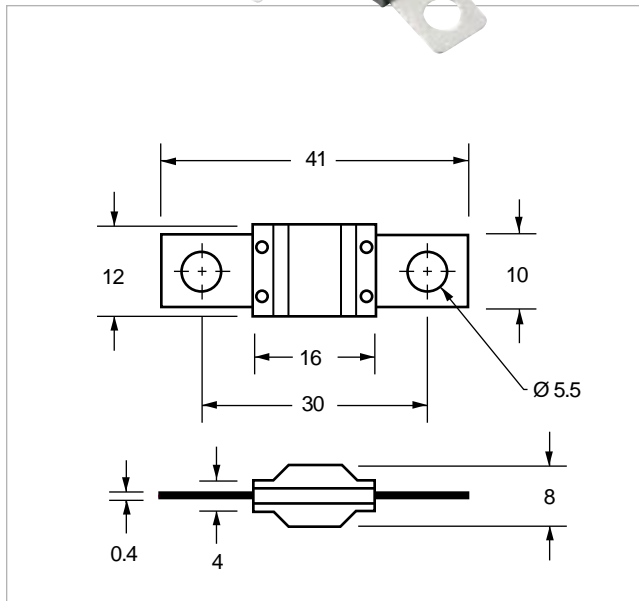


MIDI® Fuse

查询"498040"供应商

The MIDI® Fuse offers a bolt-on space saving fuse for high current wiring protection and provides time delay characteristics with "Diffusion Pill Technology". The MIDI Fuse was designed and patented by Littelfuse.



TIME-CURRENT CHARACTERISTICS

| % of Rating | Opening Time | |
|-------------|--------------|---------|
| | Minimum | Maximum |
| 100 | 100 hrs. | |
| 110 | 4 hrs. | |
| 150 | 90 s | 3600 s |
| 200 | 5 s | 100 s |
| 300 | 0.5 s | 15 s |

Interrupting Rating: 1000A @ 32 VDC
Voltage Rating: 32 VDC
Ambient Temp.: -40°C to +125°C

MIDI® FUSE TABLE

| Part Number | Current Rating (A) | Nom. Cold Resistance (mΩ) | Typ. Voltage Drop at Rated Current (mV) |
|-------------|--------------------|---------------------------|---|
| 498040 | 40 | 1.3 | 65 |
| 498050 | 50 | 1.04 | 65 |
| 498060 | 60 | 0.87 | 68 |
| 498070 | 70 | 0.72 | 70 |
| 498080 | 80 | 0.56 | 58 |
| 498100 | 100 | 0.45 | 60 |
| 498125 | 125 | 0.40 | 71 |
| 498150 | 150 | 0.33 | 77 |

MIDI Fuse Temperature Rerating Curve

