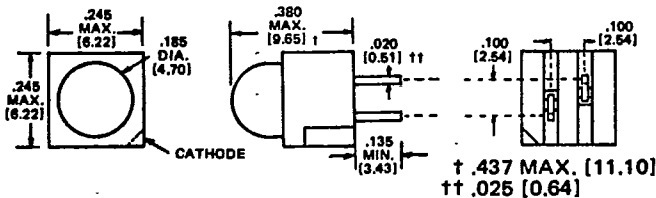


查询"550-0204-100"供应商

LED Circuit Board Indicators with Green, Yellow or Red LEDs 550 series

550-0204	Green						
550-0304	Yellow						
550-0404	Red						
550-0504	Red	with integral resistor for operation at	5V †				
550-0604	Red	" " " " " " " "	12V †, ††				
550-0704	Green	" " " " " " " "	5V †, ††				
550-0804	Yellow	" " " " " " " "	5V †, ††				



Features

- High luminous intensity.
- Solid State light source.
- Available with Red, Green or Yellow LEDs.
- Wide Viewing Angle.
- IC Compatible.
- High Reliability— Life measured in years.
- Designed for ease in circuit board assembly.
- Low cost.
- Black case enhances contrast ratio.
- Vibration and shock resistant.
- Designed to allow for high density packaging.
- Polarity identified.
- Available with or without integral resistor.
- Pre-trimmed leads for PC mounting.

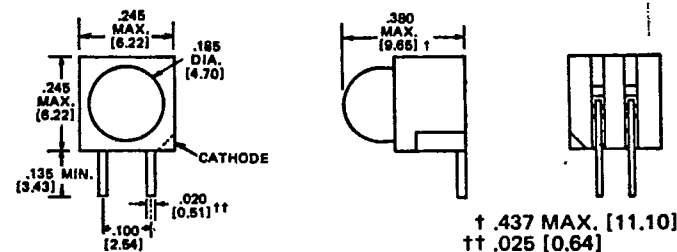
Note: To obtain units with a .340 minimum lead length, add "-100" suffix to the part number. i.e. 550-0306-100.

Applications

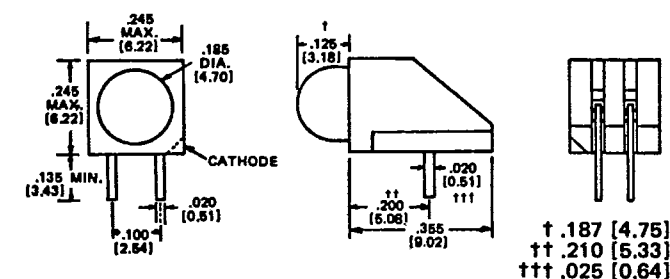
- Circuit Board Indicator.
- Panel illumination.
- Logic Status Indicator.
- Binary data display - permits stacking so that multiple functions can be displayed.

The 550 series circuit board indicators are designed for use in a wide variety of applications where solid state compatibility and ease of assembly and mounting are required. Such applications could include PC board and panel mounting. A large LED lamp with a high light level makes these units convenient for back panel illumination.

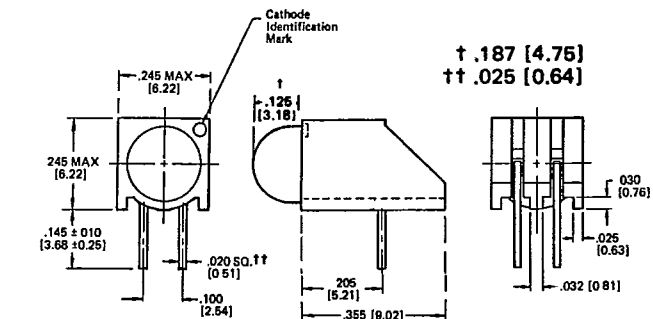
550-0205	Green						
550-0305	Yellow						
550-0405	Red						
550-0505	Red	with integral resistor for operation at	5V †				
550-0605	Red	" " " " " " " "	12V †, ††				
550-0705	Green	" " " " " " " "	5V †, ††				
550-0805	Yellow	" " " " " " " "	5V †, ††				



550-0206	Green						
550-0306	Yellow						
550-0406	Red						
550-0506	Red	with integral resistor for operation at	5V †, ††				
550-0606	Red	" " " " " " " "	12V †, ††, †††				
550-0706	Green	" " " " " " " "	5V †, ††, †††				
550-0806	Yellow	" " " " " " " "	5V †, ††, †††				



550-0207	Green						
550-0307	Yellow						
550-0407	Red						
550-0507	Red	with integral resistor for operation at	5V †				
550-0607	Red	" " " " " " " "	12V †, ††				
550-0707	Green	" " " " " " " "	5V †, ††				
550-0807	Yellow	" " " " " " " "	5V †, ††				



() Metric dimension in mm.

Dialight reserves the right to make changes at anytime in order to improve design and to supply the best product possible.

查询"550-0204-100"供应商

LED Circuit Board Indicators with Green, Yellow or Red LED 550 series

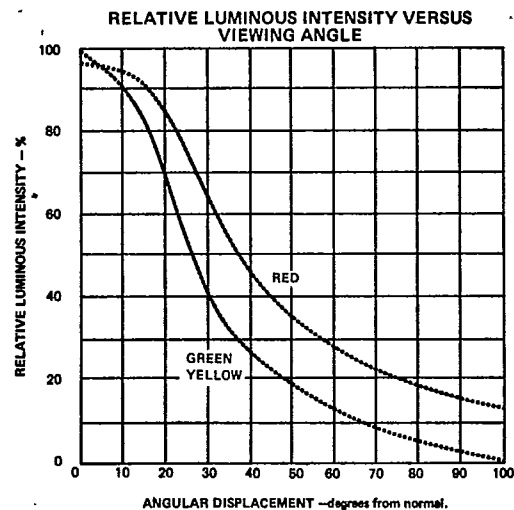
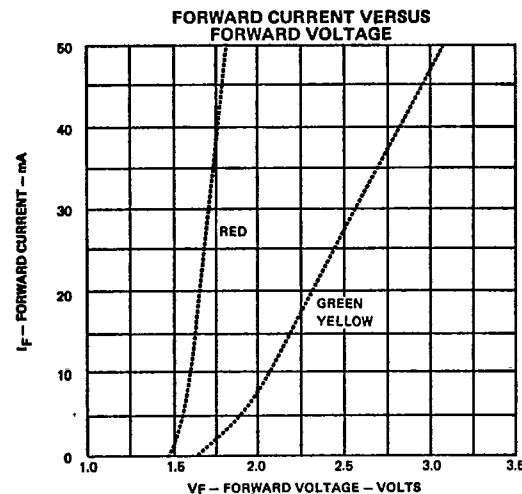
550 SERIES WITHOUT RESISTOR

Absolute Maximum Ratings at TA = 25°C

Parameter	Red	Green	Yellow	Units
Power Dissipation (derate linearly from 25°C at 1.6mW/°C)	120	120	120	mW
Forward DC Current	50	50	50	mA
Peak Operating Forward Current (1µsec Pulse 300 pps)	1	1	1	A
Operating and Storage Temperature	-55°C to +100°C			
Lead Solder Temperature	260°C for 5 seconds			

Operating Characteristics at TA=25°C

Symbol	Parameter	Description	Min.	Typ.	Max.	Units	Test Conditions
VF	Forward Voltage	Red	1.7	2.0		V	IF= 20mA
		Green & Yellow		2.3	3.0	V	IF= 20mA
BVR	Reverse Voltage	Red Green & Yellow	3.0 5.0	8.0 18.0		V	IR= 10 µA IR= 100 µA
λpk	Peak Wavelength	Red		665		nm	Measurement at Peak
		Green		565		nm	
		Yellow		570		nm	
IV	Luminous Intensity	Red	0.8	2.0		mcd	IF= 20mA
		Green	1.6	3.2		mcd	IF= 20mA
		Yellow	1.6	3.2		mcd	IF= 20mA



550 SERIES WITH INTEGRAL RESISTOR

Absolute Maximum Ratings at TA = 25°C

Parameter	Lamp Type		
	Red (5V)	Red (12V)	Green & Yellow (5V)
DC Forward Voltage (derate linearly to 5V @ 100°C) (derate linearly to 12V @ 70°C)	14V	-	7.5V
Reverse Voltage	-	14V	-
Storage Temperature	-55°C to +100°C		
Operating Temperature	-55°C to +100°C		
Lead Soldering Temperature	260°C for 5 Seconds		

Operating Characteristics at TA = 25°C

Symbol	Parameter	Description	Min.	Typ.	Max	Units	Test Conditions
IV	Luminous Intensity	All	0.8	2		mcd	VF at Rated Voltage
λPK	Wavelength	Red		655		nm	Measurement at Peak
		Green		565		nm	
		Yellow		580		nm	
τS	Speed of Response	Red Green & Yellow		15 100		ns	
IF	Forward Current	All		15	20	mA	VF= 5V
BVR	Reverse Breakdown Voltage	All	3			V	IR = 10 µA