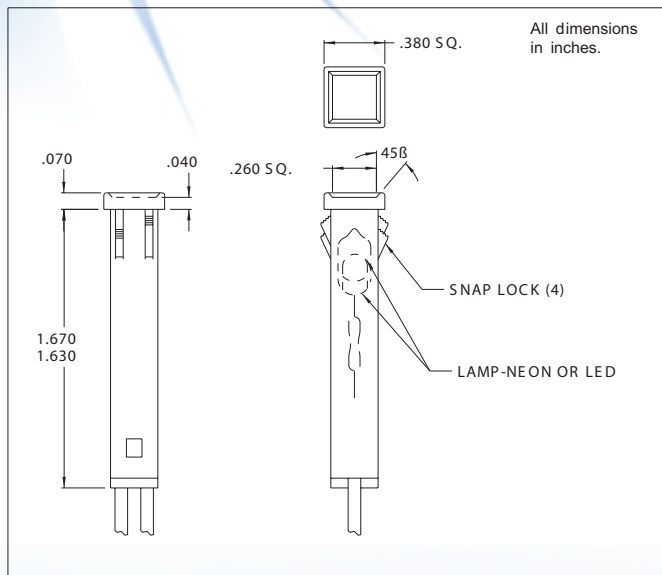


5900K, 5902K and 5991K Series Non-Relampable Neon LED Indicator Lights

DESCRIPTION AND FEATURES



Mounting: Will snap-fit into Ø.315/.312 sq. hole in panels .020/.130 thick.
Mounting hole pattern on page SP3.

Wire Leads: No.22 AWG (105°C), lead color: red and white, 4.40/4.80 long, stripped .430/.570

Lens: Polycarbonate

Anode(+): Red lead

| Lens Color | Neon | | Solid State | |
|--------------------------|------------------------|-----------------|-----------------|------------------|
| | Model No. (105-125VAC) | Model No. (12V) | Model No. (24V) | Incorporates LED |
| Red | 5900K1 | 5991K1-12V | 5991K1-24V | 4305H1 |
| Amber | 5900K3 | - | - | - |
| Green | 5902K5** | 5991K5-12V | 5991K5-24V | 4305H5 |
| Yellow | - | 5991K7-12V | 5991K7-24V | 4305H7 |
| Internal Resistor (ohms) | - | 390* | 1000* | - |
| Lamp used | C2A+Resistor | - | - | - |

*Also incorporates IN4004 (400 P.I.V.) rectifier diode.

**Incorporates G2B lamp and resistor.

Underwriters Laboratories (UL) File No. E20325

Canadian Standards Association (CSA) File No. LR13346