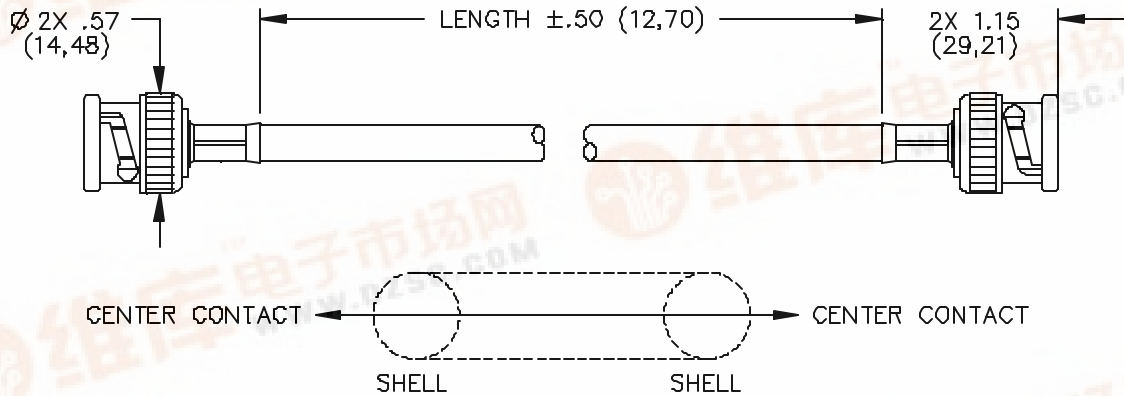


## Model 5697 BNC Male 50 Ohm Cable



### FEATURES:

- Same high quality construction as 2249-C without molded strain relief.

### MATERIALS:

Conn: 1<sup>st</sup> End-BNC Male

Impedance: 50 Ohms

Material: Body and Center Contact – Brass

Finish: Body: Tarnish Resistance

Center Contact: Gold Plated

Cable: RG58C/U

Impedance: 50 Ohms

O.D.: (0.195)

Marking: “POMONA 5697”

Conn: 2<sup>nd</sup> End-Same as first end

### RATINGS:

Voltage: Shield/Earth: 30VAC/60VDC Max.

Inner Conductor/Shield: 500VRMS Max.

Operating Temperature: +80°C. (+176°F.) Max.

### ORDERING INFORMATION: Model 5697-XX

XX=Cable Length, Standard Length: 12” (305), 18” (457), 24” (610), 36” (914), 48” (1219), 60” (1524), 72” (1829), 96” (2438), 120” (3048), 144” (3658), 180” (4572), 240” (6096), 300” (7620), 360” (9144), 600” (15240)

Ordering Example: 5697-240 indicates 240” in length.

All dimensions are in inches and metric. All specifications are to the latest revisions. Specifications are subject to change without notice.  
Registered trademarks are the property of their respective companies. Made in USA

Sales: 800-490-2361 Fax: 888-403-3360  
Technical Assistance: 800-241-2060

PomonaACCESS 90648 (800) 444-6785 or (425) 446-6010  
More drawings available at [www.pomonaelectronics.com](http://www.pomonaelectronics.com)