

International IR Rectifier

January 26 2009

Automotive Grade AUIRS2016S(TR)

High Side Driver with Internal Vs Recharge

Features

- Leadfree, RoHS compliant
- Automotive qualified*
- One high side output and internal low side Vs recharge.
- CMOS Schmitt trigger inverted input with pull up resistor
- CMOS Schmitt trigger inverted reset with pull down resistor
- 5V compatible logic level inputs
- Immune to -Vs spike and tolerant to dVs/dt

Typical Applications

- Common-rail magnetic valve application

Product Summary

Topology	Low side input, high side driver with Vs recharge
V_{OFFSET}	150 V
V_{OUT}	4.4 V – 20 V
$I_{\text{o+}}$ & $I_{\text{o-}}$ (typical)	0.25 A
t_{ON} & t_{OFF} (typical)	150 ns
Deadtime DT_{ON} / DT_{OFF} (typical)	70ns / 6 us

Package Options



Typical Connection Diagram

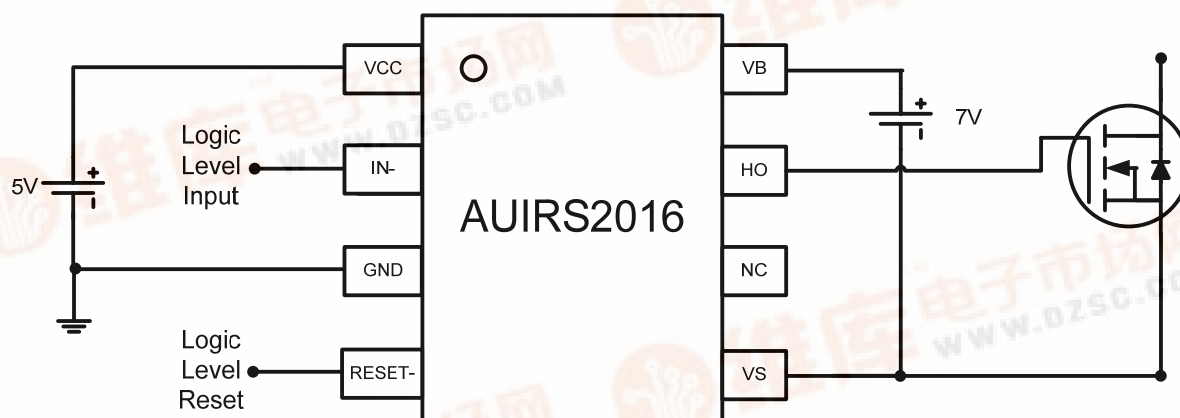


Table of Contents	Page
Description	3
Qualification Information	4
Absolute Maximum Ratings	5
Recommended Operating Conditions	6
Electrical Characteristics	7
Functional Block Diagram	11
Input/Output Pin Equivalent Circuit Diagram	12
Lead Definitions	13
Lead Assignments	13
Application Information and Additional Details	14
Package Details	20
Tape and Reel Details	21
Part Marking Information	22
Ordering Information	23

Description

The AUIRS2016 is a high voltage power MOSFET and IGBT high side driver with internal VS-to-GND recharge NMOS. Proprietary HVIC and latch immune CMOS technologies enable ruggedized monolithic construction. The logic input is compatible with standard 5V CMOS or LSTTL logic. The output driver features a 250mA high pulse current buffer stage. The channel can be used to drive an N-channel power MOSFET or IGBT in the high side configuration, which operates up to 150 volts above GND ground.

Qualification Information[†]

Qualification Level		Automotive (per AEC-Q100 ^{††})	
		Comments: This family of ICs has passed an Automotive qualification. IR's Industrial and Consumer qualification level is granted by extension of the higher Automotive level.	
Moisture Sensitivity Level		SOIC8	MSL3 ^{†††} 260°C (per IPC/JEDEC J-STD-020)
ESD	Machine Model	Class M1 (per AEC-Q100-003)	
	Human Body Model	Class H2 (per AEC-Q100-002)	
	Charged Device Model	Class C5 (per AEC-Q100-011)	
IC Latch-Up Test		Class II, Level A (per AEC-Q100-004)	
RoHS Compliant		Yes	

† Qualification standards can be found at International Rectifier's web site <http://www.irf.com/>

†† Exceptions to AEC-Q100 requirements are noted in the qualification report.

††† Higher MSL ratings may be available for the specific package types listed here. Please contact your International Rectifier sales representative for further information.

Absolute Maximum Ratings

Absolute Maximum Ratings indicate sustained limits beyond which damage to the device may occur. All voltage parameters are absolute voltages referenced to GND, all currents are defined positive into any lead. An operation above the absolute maximum limit is not implied and could damage the part.

Symbol	Definition	Min.	Max.	Units
V _{BS}	High Side Floating Supply Voltage	-0.3	20	V
V _B	High Side Driver Output Stage Voltage, Neg. transient: 0.5 ms, external MOSFET off	-5.0	166	V
V _S	High Side Floating Supply Offset Voltage Neg. transient 0.4 μ s	-8.0	150	V
V _{Ho}	Output Voltage Gate Connection	V _S - 0.3	V _B + 0.3	V
V _{CC}	Supply Voltage	-0.3	20	V
V _{IN}	Input Voltage	-0.3	V _{CC} + 0.3	V
I _{IN}	Input Injection Current. Full function, no latch-up; (guaranteed by design). Test at 5V and 7V on Eng. Samples.	---	+1	mA
V _{RES}	Reset Input Voltage	-0.3	V _{CC} + 0.3	V
V _{ESD}	Electrostatic Discharge Voltage(Human body model)	2k		V
V _{CDM}	Charge Device Model CDM, EOS/ESD Ass. Std 5.3. Number of discharges per pin: 6	2K		V
dV/dt	Allowable Offset Voltage Slew Rate	-50	50	V/nsec
T _J	Junction Temperature	-55	150	
T _S	Storage Temperature	-55	150	°C

Recommended Operating Conditions

For proper operations the device should be used within the recommended conditions.

Symbol	Definition	Min.	Max.	Units
V_B 1)	High Side Driver Output Stage Voltage	$V_S+4.4$	V_S+20	V
V_S	High Side Floating Supply Offset Voltage	-3	150	V
V_{HO}	Output Voltage Gate	V_S	V_B	V
V_{CC}	Supply Voltage	4.4	6.5	V
V_{IN}	Input Voltage	0	V_{CC}	V
V_{RES}	Reset Input Voltage	0	V_{CC}	V
T_a	Ambient Temperature ($V_{BS} = 14V$, load: 50 Ohm 2.5nF into V_S)	-40	125	°C
f_s	Switching frequency ²⁾	---	200	kHz
$t_{inlowmin}$	Minimum low input width ³⁾	1000	---	ns
$t_{inhighin}$	Minimum high input width ³⁾	60	---	ns

1) Reset-logic functional for $V_{BS} > 2V$

2) Duty cycle = 0.5, $V_{BS} = 7 V$

3) Guaranteed by design. Pulse width below the specified values may be ignored. Output will either follow the input or will ignore it. No false output state is guaranteed when minimum input width is smaller than t_{in} .

Electrical Characteristics

Unless otherwise specified, VCC = 5V, VBS = 7V, VS = 0V, IN = 0V, RES = 5V, load R = 50Ω, C = 2.5nF. Unless otherwise noted, these specifications apply for an operating junction temperature range of -40°C ≤ Tj ≤ 125°C.

Symbol	Definition	Min	Typ	Max	Units	Test Conditions
VCC Supply Characteristics						
VCCUV+	VCC Supply Undervoltage Positive Going Threshold			4.3	V	VCC rising from 0V
VCCUV-	VCC Supply Undervoltage Negative Going Threshold	2.8				Vcc dropping from 5V
VCCUVHYS	VCC Supply Undervoltage Lockout Hysteresis	0.02	0.3	0.60		
tdUVCC	Undervoltage Lockout Response Time	0.5		20	μsec	VCC steps either from 6.5V to 2.7V or from 2.7V to 6.5V
IQCC	VCC Supply Current			400	uA	VCC = 3.6V & 6.5V
VBS Supply Characteristics						
VBSUV+	VBS Supply Undervoltage Positive Going Threshold			4.3	V	VBS rising from 0V
VBSUV-	VBS Supply Undervoltage Negative Going Threshold	2.8				VBS dropping from 5V
VBSUVHYS	VBS Supply Undervoltage Lockout Hysteresis	0.02	0.3	0.60		
tdUVBS	Undervoltage Lockout Response Time	0.5		20	μsec	VBS steps either from 6.5V to 2.7V or from 2.7V to 6.5V
IQBS1	VBS Supply Current			130	μA	static mode, VBS = 7V, IN = 0V or 5V
IQBS2	VBS Supply Current			200	μA	static mode, VBS = 16V, IN = 0V or 5V
ΔVBS	VBS Drop Due to Output Turn-On			210	mV	VBS = 7V, CBS = 1μF, tdIG-IN = 3μsec, tTEST = 100μsec

Electrical Characteristics

Unless otherwise specified, $V_{CC} = 5V$, $V_{BS} = 7V$, $V_S = 0V$, $I_N = 0V$, $RES = 5V$, load $R = 50\Omega$, $C = 2.5nF$. Unless otherwise noted, these specifications apply for an operating junction temperature range of $-40^{\circ}C \leq T_j \leq 125^{\circ}C$.

Symbol	Definition	Min	Typ	Max	Units	Test Conditions
Gate Driver Characteristics						
IPKSo1	Peak Output Source Current	120	250		mA	$T_j = 25^{\circ}C$, (Note 2)
IPKSo2	Peak Output Source Current	70	150		mA	(Note 2)
IPKSo3	Peak Output Source Current	250	500		mA	$V_{BS} = 16V$, $T_j = 25^{\circ}C^{\dagger\dagger}$
IPKSo4	Peak Output Source Current	150	300		mA	$V_{BS} = 16V^{\dagger\dagger}$
IHO,off	HO off-state leakage current (guaranteed by design)			1	uA	
tr1	Output Rise Time		0.2	0.4	μsec	$T_j = 25^{\circ}C$
tr2	Output Rise Time		0.3	0.5	μsec	
tr3	Output Rise Time		0.1	0.2	μsec	$V_{BS} = 16V$, $T_j = 25^{\circ}C$
tr4	Output Rise Time		0.15	0.3	μsec	$V_{BS} = 16V$
IPKSi1	Peak Output Sink Current	120	250		mA	$I_N = 5V$, $T_j = 25^{\circ}C^{\dagger\dagger}$
IPKSi2	Peak Output Sink Current	70	150		mA	$I_N = 5V$, (Note 2)
IPKSi3	Peak Output Sink Current	250	500		mA	$V_{BS} = 16V$, $I_N = 5V$, $T_j = 25^{\circ}C$, (Note 2)
IPKSi4	Peak Output Sink Current	150	300		mA	$V_{BS} = 16V$, $I_N = 5V^{\dagger\dagger}$
tf1	Output Fall Time		0.2	0.4	μsec	$I_N = 5V$, $T_j = 25^{\circ}C$
tf2	Output Fall Time		0.3	0.5	μsec	$I_N = 5V$
tf3	Output Fall Time		0.1	0.2	μsec	$V_{BS} = 16V$, $I_N = 5V$, $T_j = 25^{\circ}C$
tf4	Output Fall Time		0.15	0.3	μsec	$V_{BS} = 16V$, $I_N = 5V$

$\dagger\dagger PW < 10\mu s$

Electrical Characteristics

Unless otherwise specified, $V_{CC} = 5V$, $V_{BS} = 7V$, $V_S = 0V$, $I_N = 0V$, $R_{ES} = 5\Omega$, load $R = 50\Omega$, $C = 2.5nF$.
Unless otherwise noted, these specifications apply for an operating junction temperature range of $-40^\circ C \leq T_J \leq 125^\circ C$.

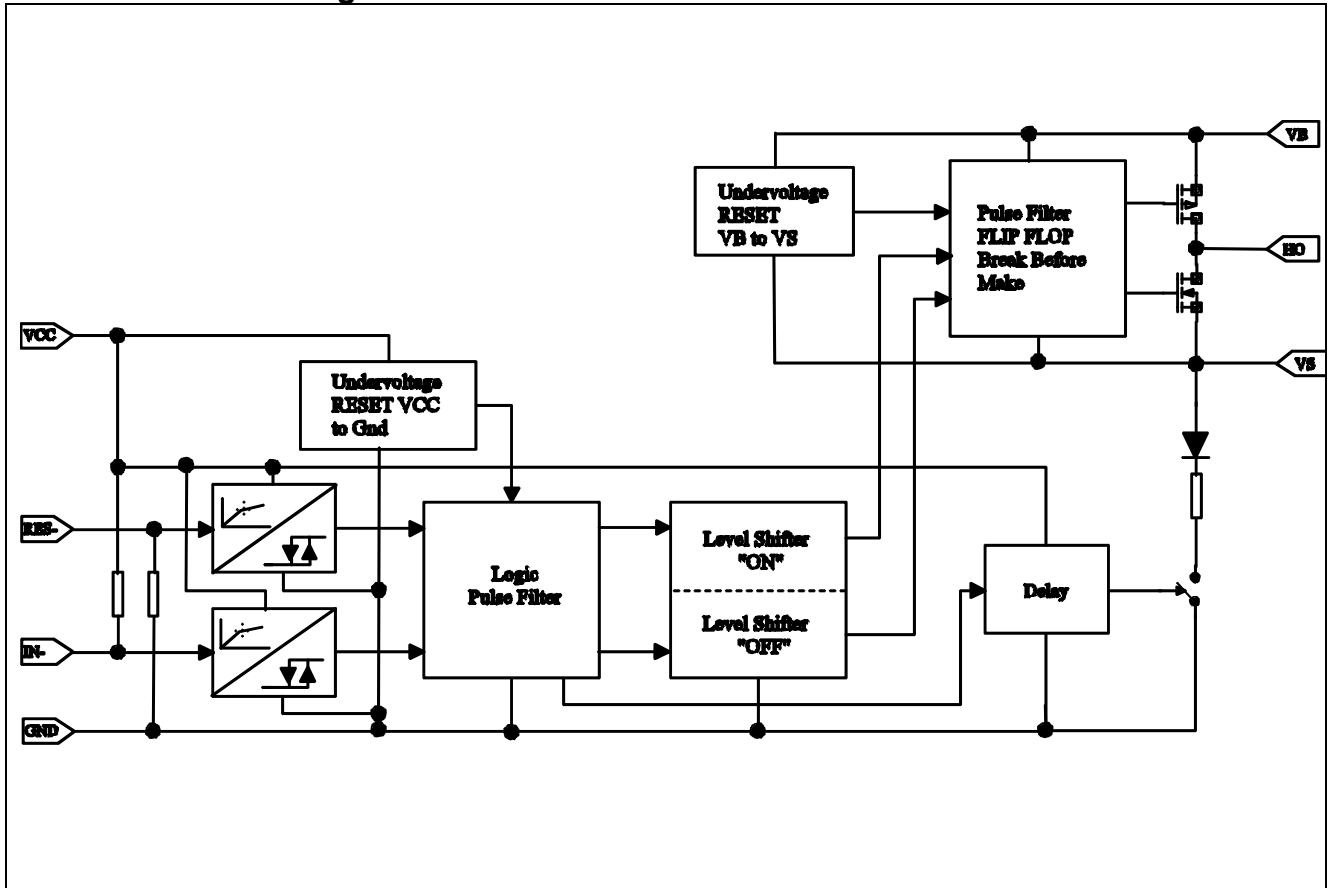
Symbol	Definition	Min	Typ	Max	Units	Test Conditions
t_{pLH}	Input-to-Output Turn-On Propagation Delay (50% input level to 10% output level)		0.15	0.35	μsec	
t_{pHL}	Input-to-Output Turn-Off Propagation Delay (50% input level to 90% output level)		0.15	0.35	μsec	
$t_{pHL_{res}}$	RES-to-Output Turn-Off Propagation Delay (50% input level to 90% [t_{pHL}] output levels)		0.15	0.35	μsec	
$t_{pLH_{res}}$	RES-to-Output Turn-On Propagation Delay (50% input level to 10% [t_{pLH}] output levels)		0.15	0.35	μsec	

Electrical Characteristics

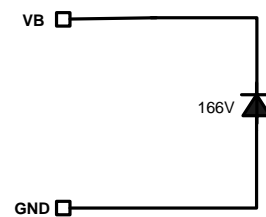
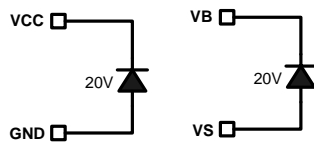
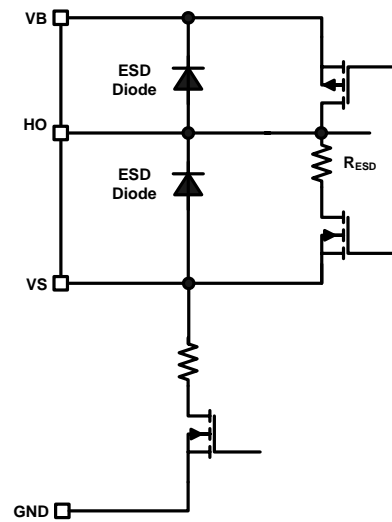
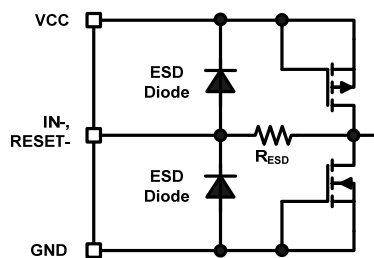
Unless otherwise specified, VCC = 5V, VBS = 7V, VS = 0V, IN = 0V, RES = 5V, load R = 50Ω, C = 2.5nF. Unless otherwise noted, these specifications apply for an operating junction temperature range of -40°C ≤ Tj ≤ 125°C.

Symbol	Definition	Min	Typ	Max	Units	Test Conditions
Input Characteristics						
VINH	High Logic Level Input Threshold	0.6* Vcc			V	VCC=5V
VINL	Low Logic Level Input Threshold			0.28* Vcc	V	VCC=5V
RIN	High Logic Level Input Resistance	60	100	220	kΩ	
IIN	High Logic Level Input Current			5	μA	VIN=VCC
VH_RES	High Logic Level RES Input Threshold	3			V	VCC=5V
VL_RES	Low Logic Level RES Input Threshold			1.4	V	VCC=5V
RRES	High Logic Level RES Input Resistance	60	100	220	kΩ	
IRES	Low Logic Level Input Current			5	μA	VRES=0
Recharge Characteristics						
ton_rech	Recharge Transistor Turn-On Propagation Delay	3	6	9	μsec	VS = 5V
toff_rech	Recharge Transistor Turn-Off Propagation Delay		0.08	0.2	μsec	
VRECH	Recharge Output Transistor On-State Voltage Drop			1.2	V	IS = 1mA, IN = 5V.
Deadtime Characteristics						
DTHOFF	High Side Turn-Off to Recharge gate Turn-On	3	6	9	μsec	VCC = 5V, VBS = 7V
DTHON	Recharge gate Turn-Off to High Side Turn-On	0.01	0.07	0.4	μsec	VCC = 5V, VBS = 7V

Functional Block Diagram



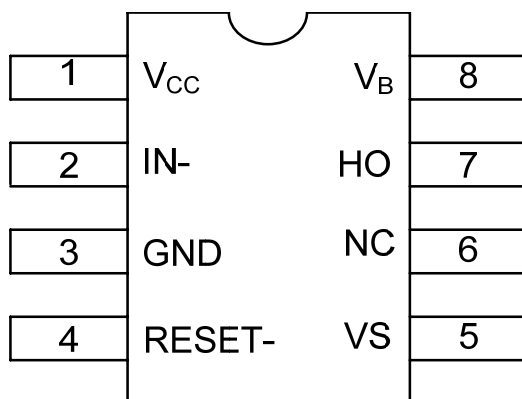
Input/Output Pin Equivalent Circuit Diagrams



Lead Definitions

Pin Number	Symbol	Pin description
1	VCC	Driver Supply, typically 5.0V
2	IN-	Driver Control Signal Input (negative logic)
3	GND	Ground
4	RESET-	Driver Enable Signal Input (negative logic)
5	VS	MOSFET Source Connection
6	NC	No Connection (no Bondwire)
7	HO	MOSFET Gate Connection
8	VB	Driver Output Stage Supply

Lead Assignments



8 Lead SOIC

Application Information and Additional Details

A Truth table for V_{CC} , V_{BS} , RESET, IN, H_O and RechFET is shown as follows. This truth table is for ACTIVE LOW IN.

supply voltages and thresholds		Signals		Output H_O	Recharge Path
V_{CC}	V_{BS}	RESET-	IN-		
$< V_{CCUV-}$	X	X	X	OFF	ON
X	X	LOW	X	OFF	ON
X	X	X	HIGH	OFF	ON
$> V_{CCUV+}$	$> V_{BSUV+}$	HIGH	LOW	ON	OFF
$> V_{CCUV+}$	$< V_{BSUV-}$	HIGH	LOW	OFF	OFF

X means independent from signal

RESET = HIGH indicates that high side NMOS is allowed to be turned on.

RESET = LOW indicates that high side NMOS is OFF.

IN = LOW indicates that high side NMOS is on.

IN = HIGH indicates that high side NMOS is off.

RechFET = ON indicates that the recharge MOSFET is on.

RechFET = OFF indicates that the recharge MOSFET is off.

Timing Diagrams

Input / Output

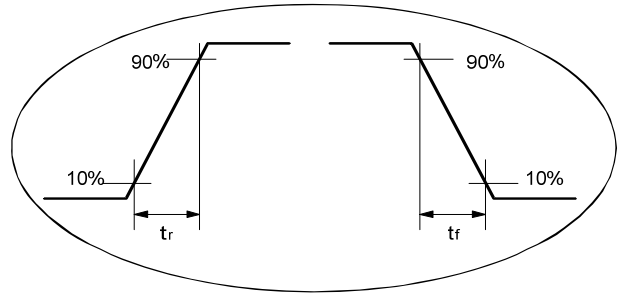
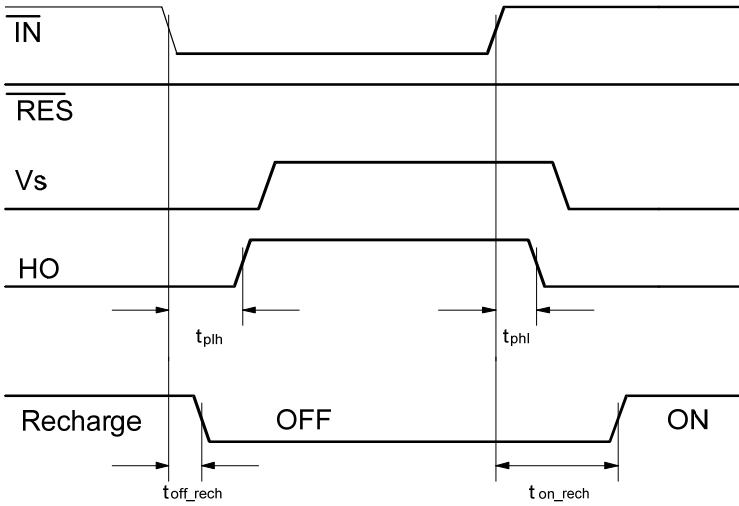


Figure 3: Input/Output Timing Diagram

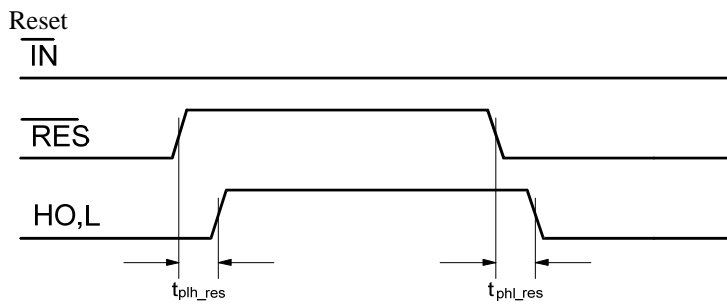


Figure 4: Reset Timing Diagram

Performance Graphs

RESET Functionality Graph:

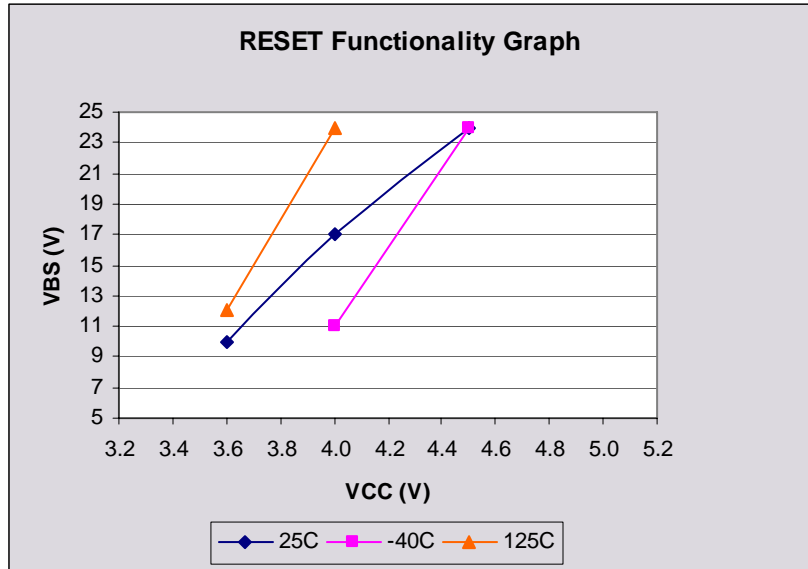
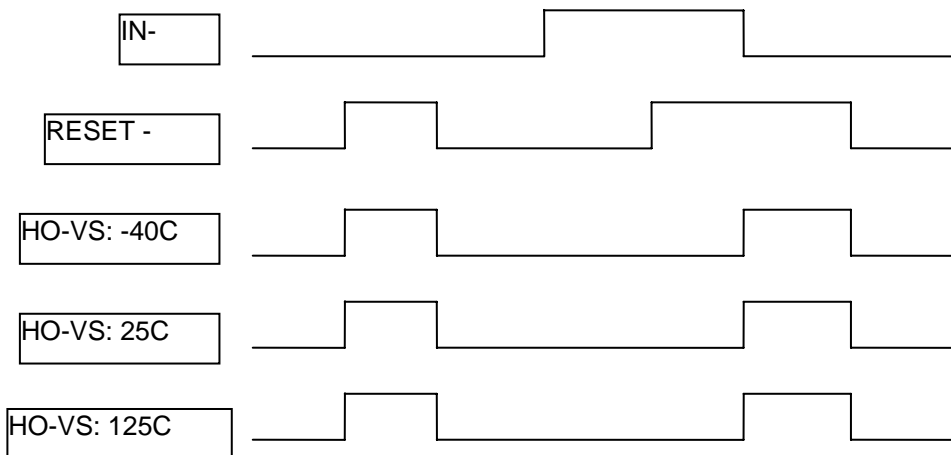


Figure 6. RESET Functionality:

This graph explains the functionality limitation as a function of VCC, VBS and temperature. For each particular temperature and VCC, the output is non-functional for any value of VBS above the drawn curve. But for any value of VBS below the curve the functionality is fine.

RESET Functional Diagram:

The diagram is guaranteed for the following condition:
 VCC=4.28V to 20V; VBS= 2V to 20V @ Tj= -40°C to +125°C (TBD)



Input and Reset Thresholds:

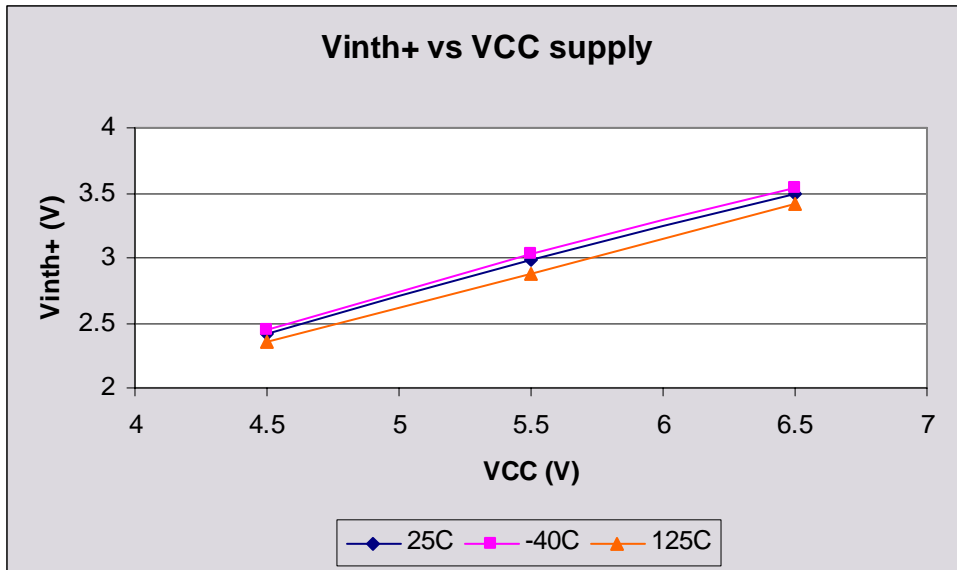


Figure 7-1: Positive Input and Reset Threshold Voltage Distribution Curves

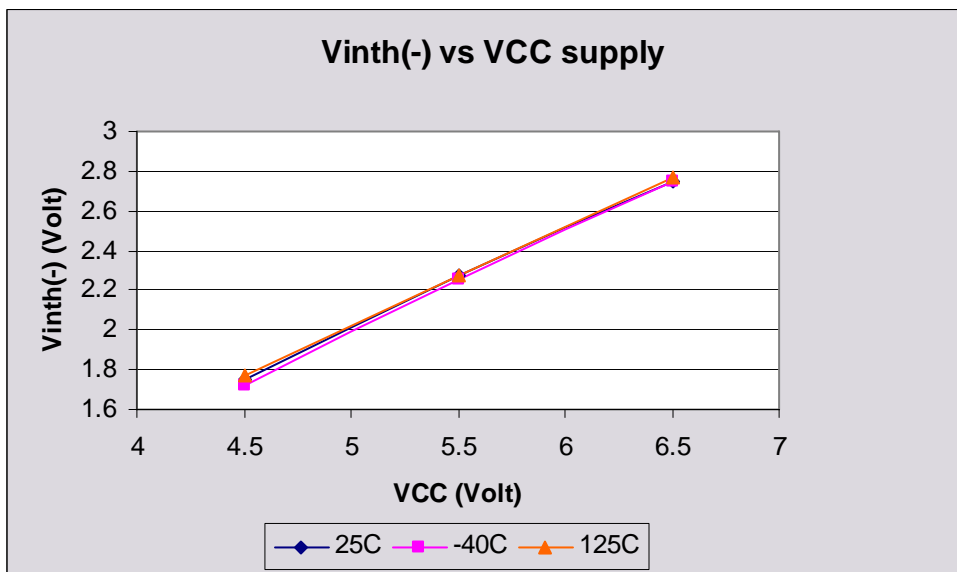


Figure 7-2: Negative Input and Reset Threshold Voltage Distribution Curves

$V_{B_{UV}}$ Undervoltage Shutdown Threshold V_B : TBD

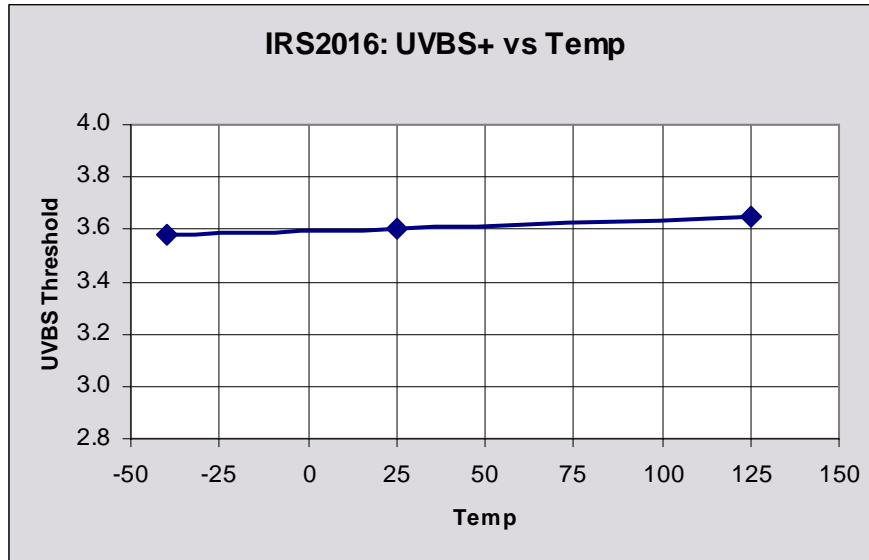


Figure 8-1: Positive going $V_{B_{UV}}$ value vs. Temperature: TBD

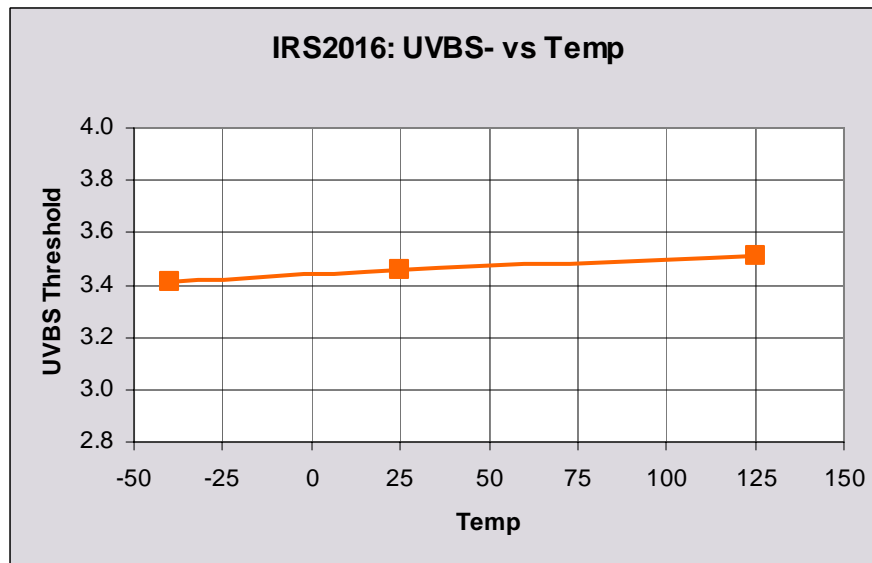


Figure 8-2: Negative going $V_{B_{UV}}$ Value vs. Temperature

Input and Reset Impedance

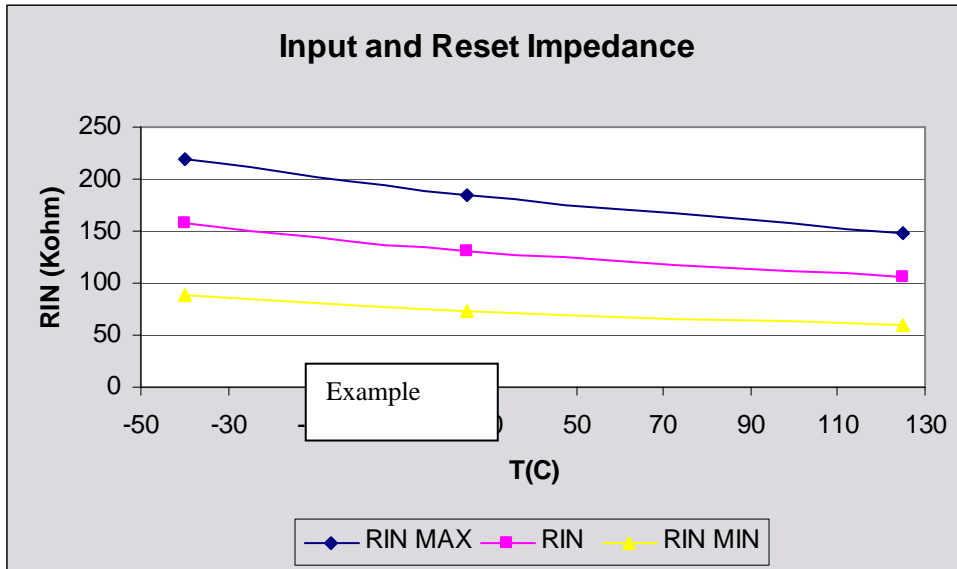


Figure 9: Input and Reset Impedance Distribution Curves

Recharge FET I-V Curve at -40C, 25C and 125C

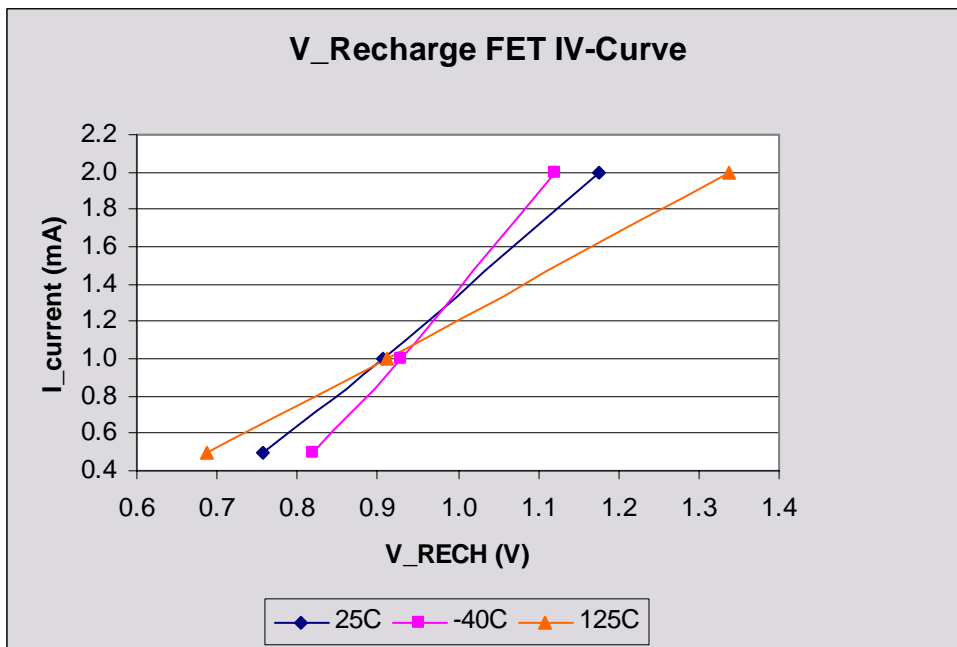
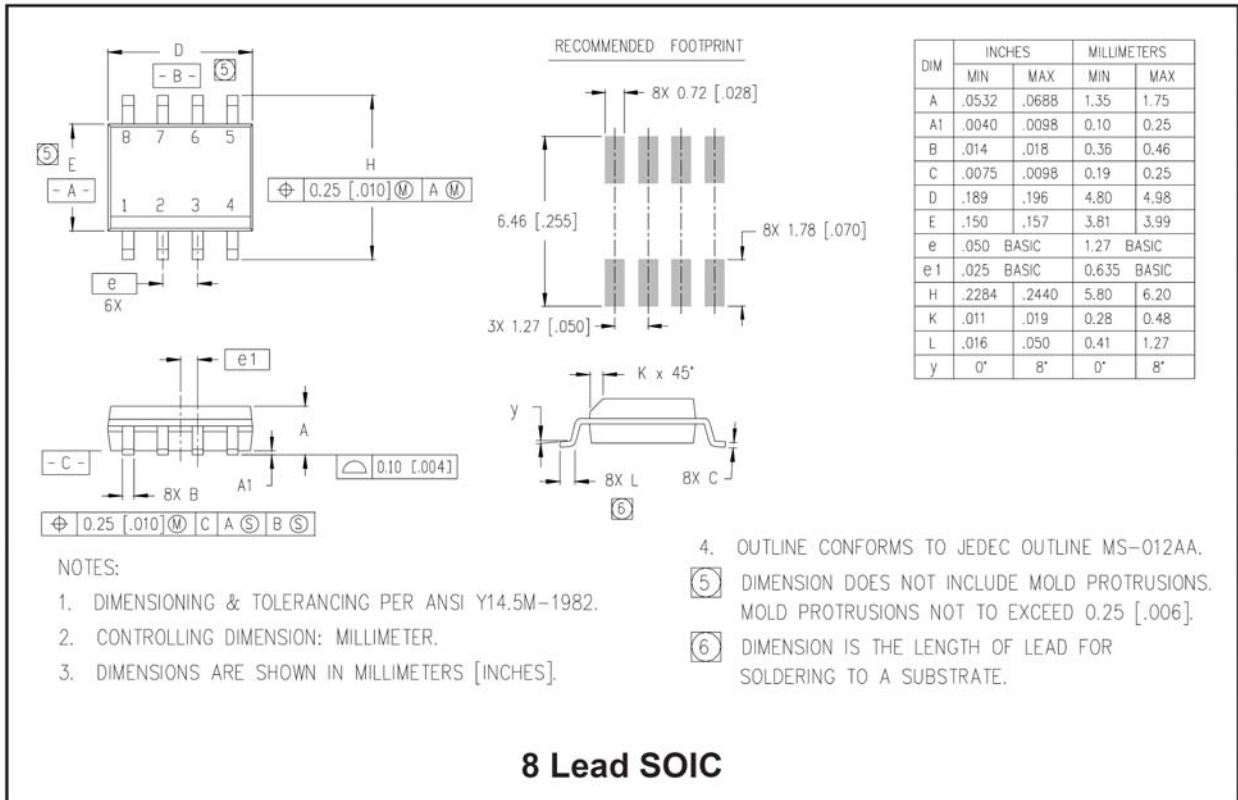
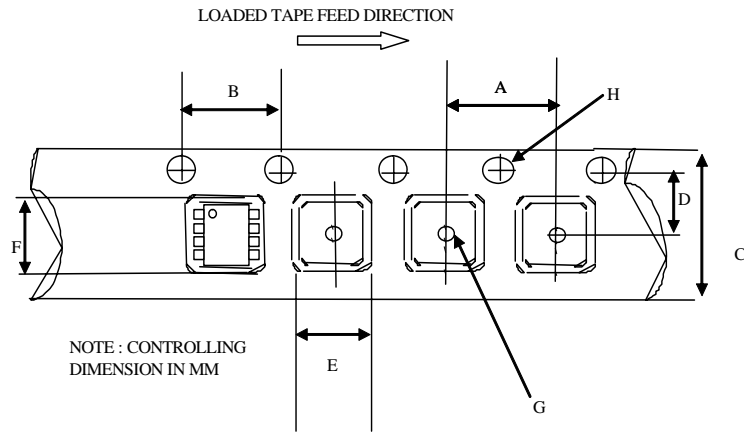


Figure 10: Recharge FET IV-Curve

Package Details: SOIC8

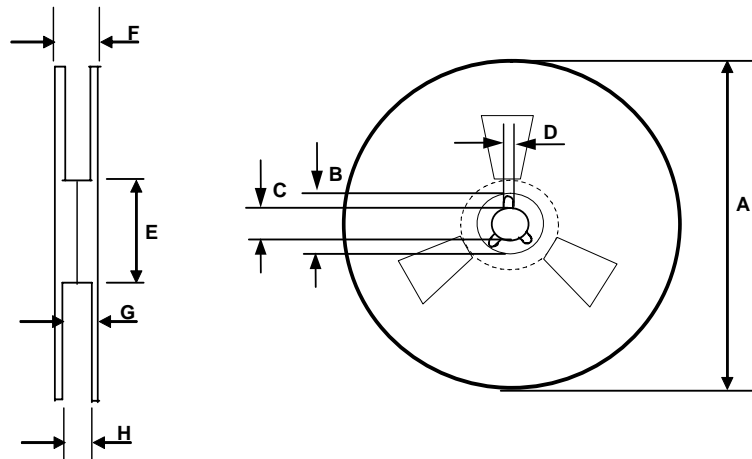


Tape and Reel Details: SOIC8



CARRIER TAPE DIMENSION FOR 8SOICN

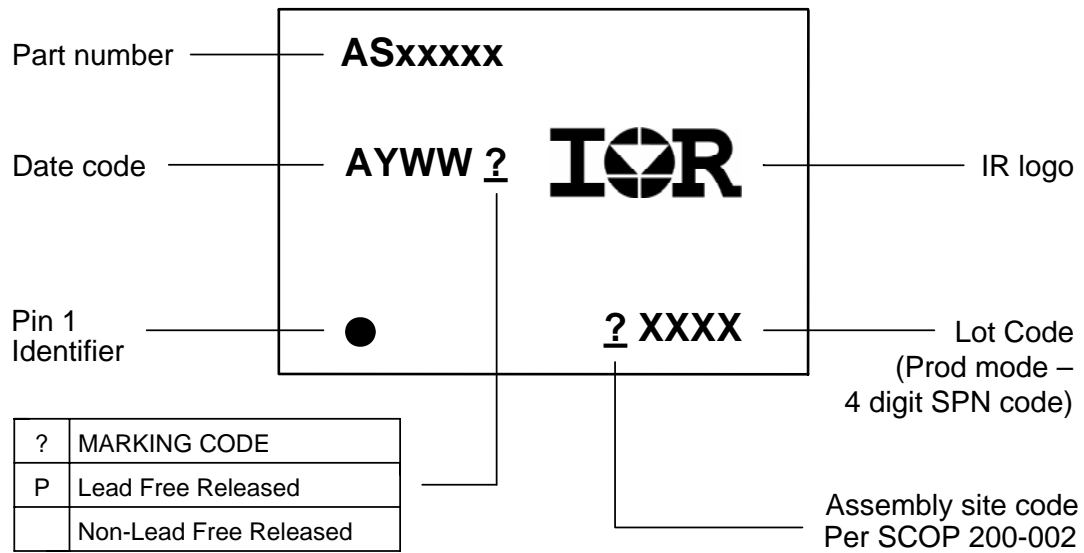
Code	Metric		Imperial	
	Min	Max	Min	Max
A	7.90	8.10	0.311	0.318
B	3.90	4.10	0.153	0.161
C	11.70	12.30	0.46	0.484
D	5.45	5.55	0.214	0.218
E	6.30	6.50	0.248	0.255
F	5.10	5.30	0.200	0.208
G	1.50	n/a	0.059	n/a
H	1.50	1.60	0.059	0.062



REEL DIMENSIONS FOR 8SOICN

Code	Metric		Imperial	
	Min	Max	Min	Max
A	329.60	330.25	12.976	13.001
B	20.95	21.45	0.824	0.844
C	12.80	13.20	0.503	0.519
D	1.95	2.45	0.767	0.096
E	98.00	102.00	3.858	4.015
F	n/a	18.40	n/a	0.724
G	14.50	17.10	0.570	0.673
H	12.40	14.40	0.488	0.566

Part Marking Information



Ordering Information

Base Part Number	Package Type	Standard Pack		Complete Part Number
		Form	Quantity	
AUIRS2016S(TR)	SOIC8	Tube/Bulk	95	AUIRS2016S
		Tape and Reel	2500	AUIRS2016STR

The information provided in this document is believed to be accurate and reliable. However, International Rectifier assumes no responsibility for the consequences of the use of this information. International Rectifier assumes no responsibility for any infringement of patents or of other rights of third parties which may result from the use of this information. No license is granted by implication or otherwise under any patent or patent rights of International Rectifier. The specifications mentioned in this document are subject to change without notice. This document supersedes and replaces all information previously supplied.

For technical support, please contact IR's Technical Assistance Center

<http://www.irf.com/technical-info/>

WORLD HEADQUARTERS:
233 Kansas St., El Segundo, California 90245
Tel: (310) 252-7105

This datasheet has been downloaded from:

www.EEworld.com.cn

Free Download

Daily Updated Database

100% Free Datasheet Search Site

100% Free IC Replacement Search Site

Convenient Electronic Dictionary

Fast Search System

www.EEworld.com.cn