

2.5V / 3.3V Differential 2 X 2 Crosspoint Switch with LVPECL Outputs

Multi-Level Inputs w/ Internal Termination

Description

The NB6L72 is a high-bandwidth fully differential 2 x 2 Crosspoint Switch with internal source termination and LVPECL output structure, optimized for low skew and minimal jitter. The differential inputs incorporate internal 50 Ω termination resistors and will accept LVPECL, CML, LVDS, LVCMOS, or LVTTTL logic levels. The SELECT inputs are single-ended and can be driven with LVCMOS/LVTTTL.

The differential LVPECL outputs provide 800 mV output swings when externally terminated with a 50 Ω resistor to $V_{CC} - 2.0$ V.

The device is offered in a small 3 mm x 3 mm 16-pin QFN package.

The NB6L72 is a member of the ECLinPS MAX™ family of high performance products.

Features

- Maximum Input Clock Frequency > 3.0GHz
- Maximum Input Data Rate > 5 Gb/s
- 425 ps Typical Propagation Delay
- 100 ps Typical Rise and Fall Times
- 0.5 ps maximum RMS Clock Jitter
- LVPECL, CML or LVDS Input Compatible
- Differential LVPECL Outputs, 780 mV Amplitude, Typical
- Operating Range: $V_{CC} = 2.375$ V to 3.63 V with GND = 0 V
- Internal 50 Ω Input Termination Provided
- Functionally Compatible with Existing 2.5 V/3.3 V LVEL, LVEP, EP, and SG Devices
- -40°C to +85°C Ambient Operating Temperature
- These are Pb-Free Devices



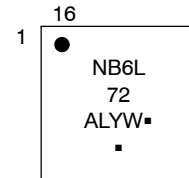
ON Semiconductor®

<http://onsemi.com>

MARKING DIAGRAM*



QFN-16
MN SUFFIX
CASE 485G



- A = Assembly Location
 - L = Wafer Lot
 - Y = Year
 - W = Work Week
 - = Pb-Free Package
- (Note: Microdot may be in either location)

*For additional marking information, refer to Application Note AND8002/D.

ORDERING INFORMATION

See detailed ordering and shipping information in the package dimensions section on page 9 of this data sheet.

NB6L72

[查询"NB6L72"供应商](#)

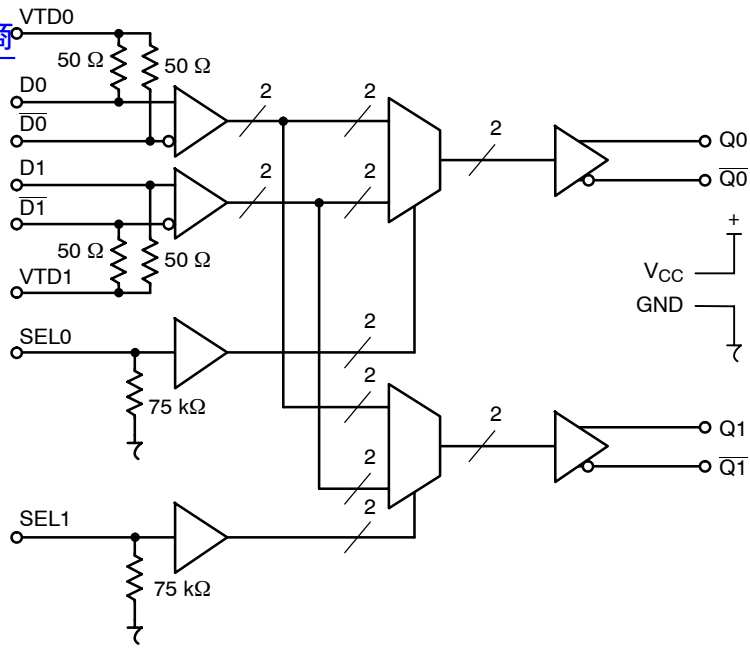


Figure 1. Logic/Block Diagram

NB6L72

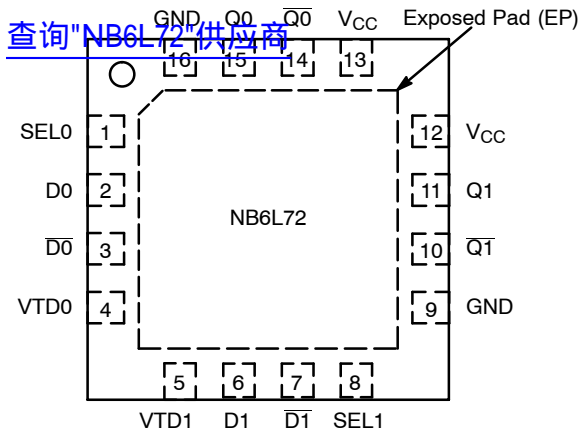


Table 1. INPUT/OUTPUT SELECT TRUTH TABLE

SEL0*	SEL1*	Q0	Q1
L	L	D0	D0
H	L	D1	D0
L	H	D0	D1
H	H	D1	D1

*Defaults LOW when left open

Figure 2. Pin Configuration (Top View)

Table 2. PIN DESCRIPTION

Pin	Name	I/O	Description
1	SEL0	LVTTTL, LVCMOS Input	Select Logic Input control that selects D0 or D1 to output Q0. See Table 1, Select Input Function Table. Pin defaults LOW when left open
2	D0	LVPECL, CML, LVDS, LVTTTL, LVCMOS, Input	Noninverted Differential Input. Note 1.
3	D0-bar	LVPECL, CML, LVDS, LVTTTL, LVCMOS, Input	Inverted Differential Input. Note 1.
4	VTD0	-	Internal 50 Ω Termination Pin. Note 1.
5	VTD1	-	Internal 50 Ω termination pin. Note 1.
6	D1	LVPECL, CML, LVDS, LVTTTL, LVCMOS, Input	Noninverted Differential Input. Note 1.
7	D1-bar	LVPECL, CML, LVDS, LVTTTL, LVCMOS, Input	Inverted Differential Input. Note 1.
8	SEL1	LVTTTL, LVCMOS Input	Select Logic Input control that selects D0 or D1 to output Q1. See Table 1, Select Input Function Table. Pin defaults LOW when left open
9	GND	-	Negative Supply Voltage
10	Q1-bar	LVPECL Output	Inverted Differential Output. Typically Terminated with 50 Ω Resistor to V _{CC} - 2.0 V.
11	Q1	LVPECL Output	Noninverted Differential Output. Typically Terminated with 50 Ω Resistor to V _{CC} - 2.0 V.
12	V _{CC}	-	Positive Supply Voltage
13	V _{CC}	-	Positive Supply Voltage
14	Q0-bar	LVPECL Output	Inverted Differential Reset Input. Typically Terminated with 50 Ω Resistor to V _{CC} - 2.0 V.
15	Q0	LVPECL Output	Noninverted Differential Reset Input. Typically Terminated with 50 Ω Resistor to V _{CC} - 2.0 V.
16	GND	-	Negative Supply Voltage
-	EP	-	The Exposed Pad (EP) on the QFN-16 package bottom is thermally connected to the die for improved heat transfer out of package. The exposed pad must be attached to a heat-sinking conduit. The pad is not electrically connected to the die, but is recommended to be electrically and thermally connected to GND on the PC board.

1. In the differential configuration when the input termination pin (VTDn, VTDn-bar) are connected to a common termination voltage or left open, and if no signal is applied on Dn/Dn-bar input, then the device will be susceptible to self-oscillation.
2. All V_{CC} and GND pins must be externally connected to a power supply for proper operation.

NB6L72

查询"NB6L72" (快应器) Table 3. ATTRIBUTES

Characteristics	Value
ESD Protection Human Body Model Machine Model	> 2 kV > 200 V
Moisture Sensitivity 16-QFN	Level 1
Flammability Rating Oxygen Index: 28 to 34	UL 94 V-0 @ 0.125 in
Transistor Count	
Meets or exceeds JEDEC Spec EIA/JESD78 IC Latchup Test	

For additional information, see Application Note AND8003/D.

Table 4. MAXIMUM RATINGS

Symbol	Parameter	Condition 1	Condition 2	Rating	Unit
V _{CC}	Positive Power Supply	GND = 0 V		4.0	V
V _{IO}	Positive Input/Output Voltage	GND = 0 V	$-0.5 \leq V_{Io} \leq V_{CC} + 0.5$	4.0	V
V _{INPP}	Differential Input Voltage D - \bar{D}			2.8	V
I _{IN}	Input Current Through R _T (50 Ω Resistor)	Static Surge		45 80	mA mA
I _{OUT}	Output Current (LVPECL Output)	Continuous Surge		50 100	mA mA
T _A	Operating Temperature Range	QFN-16		-40 to +85	°C
T _{stg}	Storage Temperature Range			-65 to +150	°C
θ_{JA}	Thermal Resistance (Junction-to-Ambient) (Note 3)	0 lfpm 500 lfpm	QFN-16 QFN-16	42 35	°C/W °C/W
θ_{JC}	Thermal Resistance (Junction-to-Case)	(Note 3)	QFN-16	4	°C/W
T _{sol}	Wave Solder Pb-Free			265	°C

Stresses exceeding Maximum Ratings may damage the device. Maximum Ratings are stress ratings only. Functional operation above the Recommended Operating Conditions is not implied. Extended exposure to stresses above the Recommended Operating Conditions may affect device reliability.

3. JEDEC standard multilayer board – 2S2P (2 signal, 2 power) with 8 filled thermal vias under exposed pad.

NB6L72

Table 5. DC CHARACTERISTICS, Multi-Level Inputs $V_{CC} = 2.375\text{ V to }3.63\text{ V}$, $GND = 0\text{ V}$, $T_A = -40^\circ\text{C to }+85^\circ\text{C}$

Symbol	Characteristic	Min	Typ	Max	Unit
--------	----------------	-----	-----	-----	------

POWER SUPPLY CURRENT

I_{CC}	Power Supply Current (Inputs and Outputs Open)	40	60	80	mA
----------	--	----	----	----	----

LVPECL OUTPUTS (Notes 4 and 5)

V_{OH}	Output HIGH Voltage $V_{CC} = 3.3\text{ V}$ $V_{CC} = 2.5\text{ V}$	$V_{CC} - 1075$ 2225 1425	$V_{CC} - 950$ 2350 1550	$V_{CC} - 825$ 2475 1675	mV
V_{OL}	Output LOW Voltage $V_{CC} = 3.3\text{ V}$ $V_{CC} = 2.5\text{ V}$	$V_{CC} - 1825$ 1475 675	$V_{CC} - 1725$ 1575 775	$V_{CC} - 1625$ 1675 875	mV

DIFFERENTIAL INPUT DRIVEN SINGLE-ENDED (see Figures 4 and 5) (Note 6)

V_{th}	Input Threshold Reference Voltage Range (Note 7)	1125		$V_{CC} - 75$	mV
V_{IH}	Single-ended Input HIGH Voltage	$V_{th} + 75$		V_{CC}	mV
V_{IL}	Single-ended Input LOW Voltage	GND		$V_{th} - 75$	mV
V_{ISE}	Single-ended Input Voltage Amplitude ($V_{IH} - V_{IL}$)	150		2800	mV

DIFFERENTIAL INPUTS DRIVEN DIFFERENTIALLY (see Figures 7 and 9)

V_{IHD}	Differential Input HIGH Voltage	1200		V_{CC}	mV
V_{ILD}	Differential Input LOW Voltage	GND		$V_{CC} - 150$	mV
V_{ID}	Differential Input Voltage (D_n, \overline{D}_n) ($V_{IHD} - V_{ILD}$)	150		2800	mV
V_{CMR}	Input Common Mode Range (Differential Configuration) (Note 9)	1125		$V_{CC} - 75$	mV
I_{IH}	Input HIGH Current D_n/\overline{D}_n , ($V_{TDn}/\overline{V_{TDn}}$ Open)	-10		50	μA
I_{IL}	Input LOW Current D_n/\overline{D}_n , ($V_{TDn}/\overline{V_{TDn}}$ Open)	-50		10	μA

SINGLE-ENDED LVCMOS/LVTTL CONTROL INPUTS

V_{IH}	Single-ended Input HIGH Voltage	2000		V_{CC}	mV
V_{IL}	Single-ended Input LOW Voltage	GND		800	mV
I_{IH}	Input HIGH Current	-10		10	μA
I_{IL}	Input LOW Current	-150		0	μA

TERMINATION RESISTORS

R_{TIN}	Internal Input Termination Resistor	40	50	60	Ω
-----------	-------------------------------------	----	----	----	----------

NOTE: Device will meet the specifications after thermal equilibrium has been established when mounted in a test socket or printed circuit board with maintained transverse airflow greater than 500 lfm. Electrical parameters are guaranteed only over the declared operating temperature range. Functional operation of the device exceeding these conditions is not implied. Device specification limit values are applied individually under normal operating conditions and not valid simultaneously.

- LVPECL outputs loaded with $50\ \Omega$ to $V_{CC} - 2.0\text{ V}$ for proper operation.
- Input and output parameters vary 1:1 with V_{CC} .
- V_{th} , V_{IH} , V_{IL} , and V_{ISE} parameters must be complied with simultaneously.
- V_{th} is applied to the complementary input when operating in single-ended mode.
- V_{IHD} , V_{ILD} , V_{ID} and V_{CMR} parameters must be complied with simultaneously.
- V_{CMR} minimum varies 1:1 with GND, V_{CMR} max varies 1:1 with V_{CC} . The V_{CMR} range is referenced to the most positive side of the differential input signal.

NB6L72

Table 6. AC CHARACTERISTICS $V_{CC} = 2.375\text{ V to }3.63\text{ V}$, $V_{EE} = 0\text{ V}$, or $V_{CC} = 0\text{ V}$, $V_{EE} = -2.375\text{ V to }-3.63\text{ V}$,
 $T_A = -40^\circ\text{C to }+85^\circ\text{C}$, (Note 10)

Symbol	Characteristic	Min	Typ	Max	Unit	
V_{OUTPP}	Output Voltage Amplitude (@ $V_{INPPmin}$) (Note 14) (See Figure 4)	$f_{in} \leq 1.5\text{ GHz}$ $f_{in} \leq 2.5\text{ GHz}$ $f_{in} \leq 3.0\text{ GHz}$	520 380 320	800 650 500		mV
t_{PLH} , t_{PHL}	Propagation Delay (@0.5GHz)	Dn to Qn SELn to Qn	325	425	525	ps
t_{SKEW}	Duty Cycle Skew (Note 11) Within Device Skew Device to Device Skew (Note 12)		5	20 15 80		ps
t_{DC}	Output Clock Duty Cycle (Reference Duty Cycle = 50%)	$f_{in} \leq 3.0\text{ GHz}$	40	50	60	%
t_{JITTER}	RMS Random Clock Jitter (Note 13)	$f_{in} = 2.5\text{ GHz}$ $f_{in} = 3.0\text{ GHz}$		0.2 0.3	0.5 1	ps
V_{INPP}	Input Voltage Swing/Sensitivity (Differential Configuration) (Note 14)		150		2800	mV
t_r, t_f	Output Rise/Fall Times @ 0.5 GHz (20% – 80%)	Q, \bar{Q}		100	160	ps

NOTE: Device will meet the specifications after thermal equilibrium has been established when mounted in a test socket or printed circuit board with maintained transverse airflow greater than 500 lfm. Electrical parameters are guaranteed only over the declared operating temperature range. Functional operation of the device exceeding these conditions is not implied. Device specification limit values are applied individually under normal operating conditions and not valid simultaneously.

10. Measured by forcing V_{INPP} (minimum) from a 50% duty cycle clock source. All loading with an external $R_L = 50\ \Omega$ to $V_{CC} - 2.0\text{ V}$. Input edge rates 40 ps (20% – 80%).

11. Duty cycle skew is measured between differential outputs using the deviations of the sum of T_{pw-} and T_{pw+} @ 0.5 GHz.

12. Device to device skew is measured between outputs under identical transition @ 0.5 GHz.

13. Additive RMS jitter with 50% duty cycle clock signal.

14. Input and output voltage swing is a single-ended measurement operating in differential mode.

NB6L72

[查询"NB6L72"供应商](#)

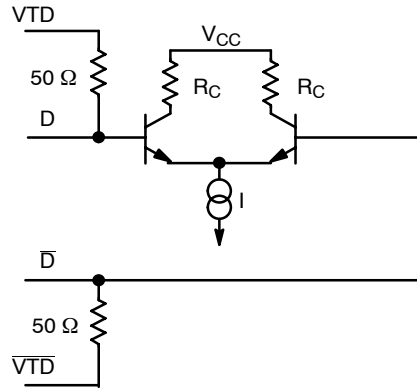


Figure 3. Input Structure

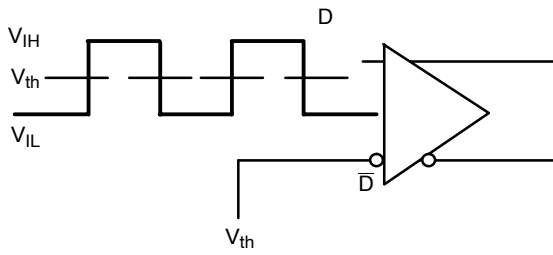


Figure 4. Differential Input Driven Single-Ended

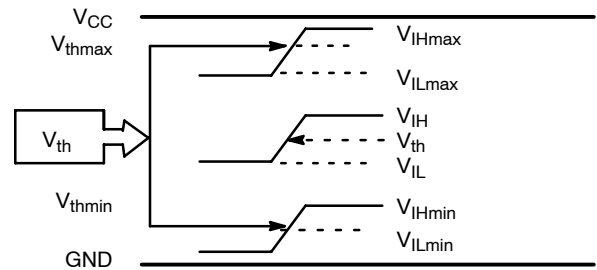


Figure 5. V_{th} Diagram

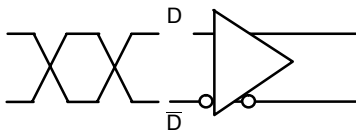


Figure 6. Differential Inputs Driven Differentially

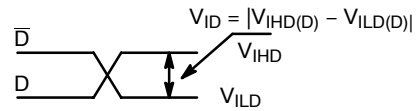


Figure 7. Differential Inputs Driven Differentially

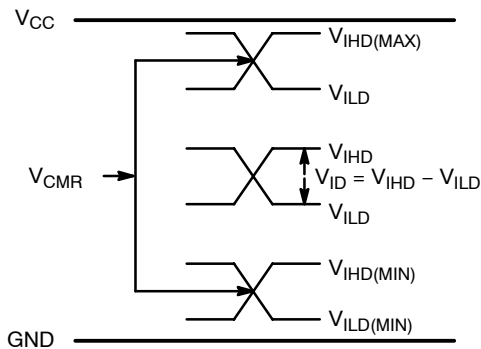


Figure 8. V_{CM} Diagram

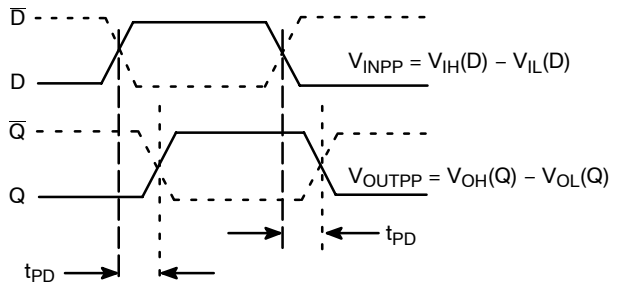


Figure 9. AC Reference Measurement

NB6L72

[查询"NB6L72"供应商](#)

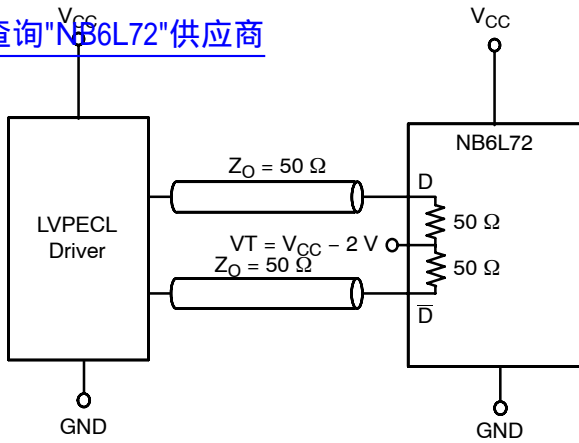


Figure 10. LVPECL Interface

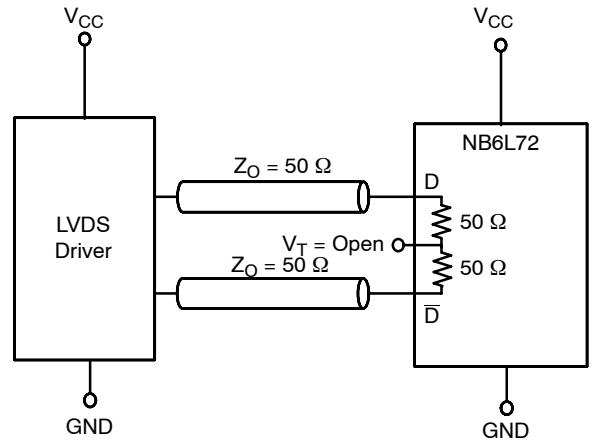


Figure 11. LVDS Interface

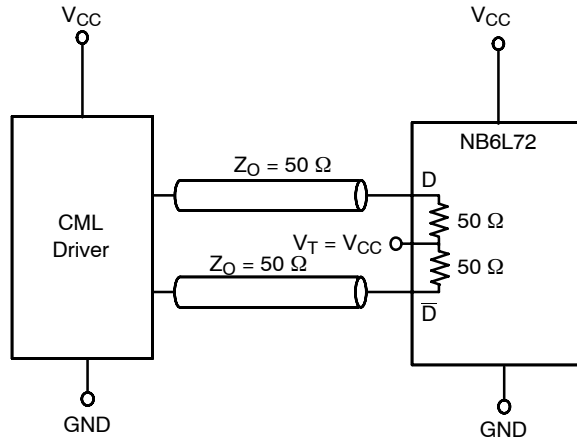


Figure 12. Standard 50 Ω Load CML Interface

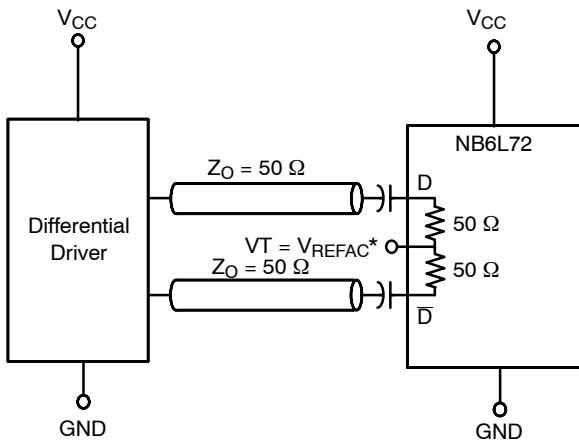


Figure 13. Capacitor-Coupled Differential Interface
(VT Connected to VREFAC)

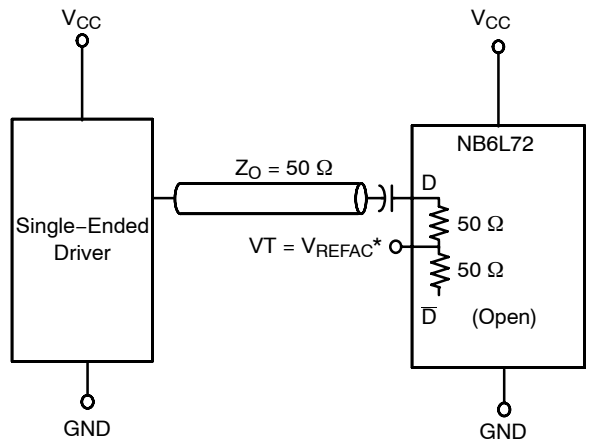


Figure 14. Capacitor-Coupled Single-Ended Interface
(VT Connected to VREFAC)

*VREFAC bypassed to ground with a 0.01 μ F capacitor

NB6L72

[查询"NB6L72"供应商](#)

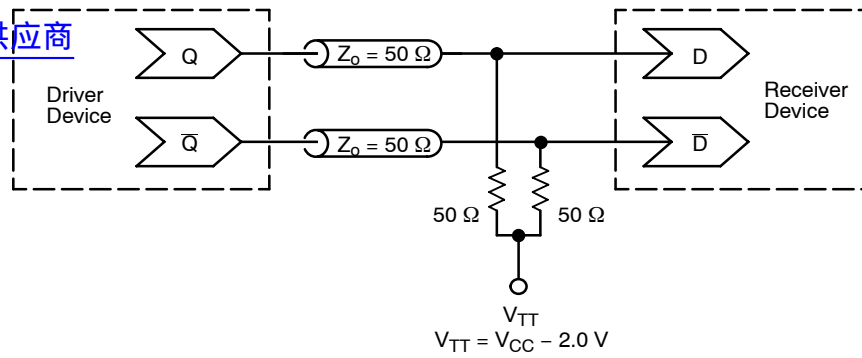


Figure 15. Typical Termination for Output Driver and Device Evaluation (See Application Note AND8020/D – Termination of ECL Logic Devices.)

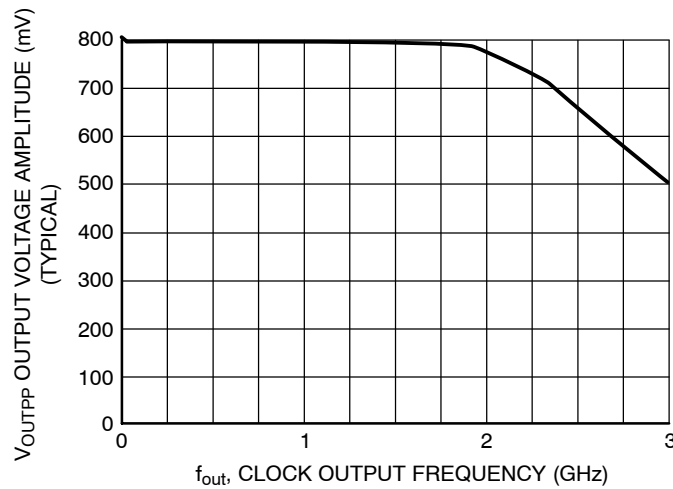


Figure 16. Output Voltage Amplitude (V_{OUTPP}) versus Output Frequency at Ambient Temperature (Typical)

ORDERING INFORMATION

Device	Package	Shipping [†]
NB6L72MNG	QFN-16 (Pb-free)	123 Units / Rail
NB6L72MNR2G	QFN-16 (Pb-free)	3000 / Tape & Reel

[†]For information on tape and reel specifications, including part orientation and tape sizes, please refer to our Tape and Reel Packaging Specifications Brochure, BRD8011/D.

