

[查询"FI-RE51S-VF-R1300"供应商](#)

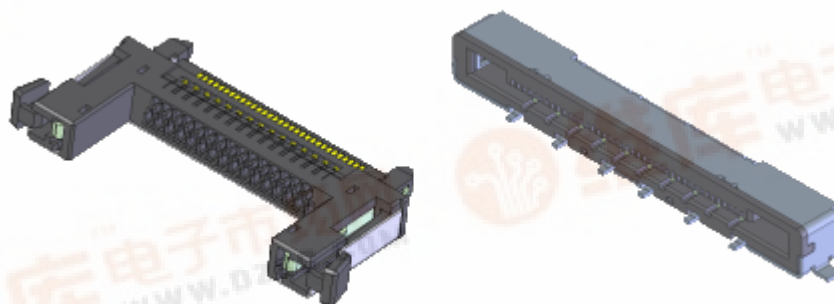
Connector for Internal Serial Transmission

CONNECTOR

MB-0153-2

October 2008

# FI-R Series

**RoHS Compliant**

High-speed serial transmission such as LVDS, TMDS (HDMI), and PCI Express are widely used in applications in a variety of markets including the personal computer, TV, consumer device, copier, and medical device markets.

In these applications connectors not only need to have the ability to transmit signals at high speed, but they also must have the durability, ease of mating, and variety of options to respond to the demands of all designs.

The FI-R is the ideal connector series to meet these demands.

## Features

- 0.5mm terminal pitch, 3.8mm connector, compact design with 21, 31, 41, and 51 positions.
- Stable mating with large mating guides on the Plug.
- Strong PCB retention with solder hold-downs on the Receptacle.
- Impedance matching: 100 ohm. Ground reinforced by shell structure and hold-downs.
- Receptacle options include with and without shell, and right-angle and straight types, all with a common footprint.
- Mechanical lock to prevent mis-mating and accidental unmating.
- Plug options for discrete wire crimping, fine coaxial wire soldering, and FFC to suit a variety of needs.
- VESA standard connector for TV LCD interface.

## General Specification

### Receptacle

A1. FI-RE\*\*S-HF (Right-angle, shell type)

A2. FI-RE\*\*S-VF (Straight, shell type)

■ No. of Contacts: 21, 31, 41, 51pos.

■ Contact Resistance: 50m ohm max.

■ Dielectric Withstanding Voltage:  
AC500Vr.m.s, 1 minute

■ Operating Temperature:  
-40Deg. C to +80Deg. C

■ Rated Current:  
AC, DC 0.8A each / terminal

■ Insulation Resistance: 100M ohm min.

■ Pitch: 0.5mm



### Plug, Crimp Type

B1. FI-RE\*\*HL (Mechanical lock, shell type)

B2. FI-RC3-1A-1E-15000 (Crimp for upper contact)

B3. FI-RC3-1B-1E-15000 (Crimp for lower contact)

■ No. of Contacts: 21, 31, 41, 51pos.

■ Contact Resistance: 50m ohm max.

■ Dielectric Withstanding Voltage:  
AC500Vr.m.s, 1 minute

■ Operating Temperature:  
-40Deg. C to +80Deg. C

■ Rated Current:  
AC, DC 0.7A each / terminal

■ Insulation Resistance: 100M ohm min.

■ Pitch: 0.5mm

■ Applicable Cable: 30, 32, 36 AWG



### Plug, Solder Type

C1. FI-RE\*\*CL (Mechanical lock, shell type)

C2. FI-RE\*\*CL-SH2-3000 (Cover shell for solder type)

■ No. of Contacts: 21, 31, 41, 51pos.

■ Contact Resistance: 50m ohm max.

■ Dielectric Withstanding Voltage:  
AC500Vr.m.s, 1 minute

■ Operating Temperature:  
-40Deg. C to +80Deg. C

■ Rated Current:  
AC, DC 0.7A each / terminal

■ Insulation Resistance: 100M ohm min.

■ Pitch: 0.5mm

■ Applicable Cable:  
Coaxial cable 40 AWG



[查询"FI-RE51S-VF-R1300"供应商](#)

## Materials and Finishes

### Receptacle

#### A1. FI-RE\*\*S-HF (Right-angle, shell type)

Component	Material and Finish
Contact	Copper alloy / Contact area Au, SMT Terminal area Sn plating
Insulator	Heat resistant plastic / None
Shell	Stainless steel / None



#### A2. FI-RE\*\*S-VF (Straight, shell type)

Component	Material and Finish
Contact	Copper alloy / Contact area Au, SMT Terminal area Sn plating
Insulator	Heat resistant plastic / None
Shell	Stainless steel / None



### Plug, Crimp Type

#### B1. FI-RE\*\*HL (Mechanical lock, shell type)

Component	Material and Finish
Press Fit Shell	Copper alloy / Sn plating
Insulator	Heat resistant plastic / None
Lock Spring	Stainless steel / None



#### B2. FI-RC3-1A-1E-15000 (Crimp for upper contact)

Component	Material and Finish
Contact	Phosphor bronze / Contact area Au, Terminal area Sn plating



#### B3. FI-RC3-1B-1E-15000 (Crimp for lower contact)

Component	Material and Finish
Contact	Phosphor bronze / Contact area Au, Terminal area Sn plating



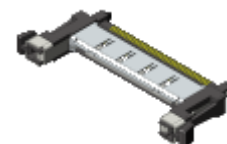
[查询"FI-RE51S-VF-R1300"供应商](#)

## Materials and Finishes

### Plug, Solder Type

C1. FI-RE\*\*CL (Mechanical lock, shell type)

Component	Material and Finish
Contact	Copper alloy / Contact area Au, Terminal area Sn plating
Press Fit Shell	Copper alloy / Sn plating
Insulator	Heat resistant plastic / None
Lock Spring	Stainless steel / None



C2. FI-RE\*\*CL-SH2-3000 (Cover shell for solder type)

Component	Material and Finish
Cover Shell	Stainless steel / None





查询"FI-RE51S-VF-R1300"供应商

Ordering Information

Receptacle (Right-angle, shell type)  
Embossed Tape Reel (SJ102937)

FI-R E \*\* S - HF - R1500

Series  
E: Shell Type

Embossed Tape  
1500pcs. per reel

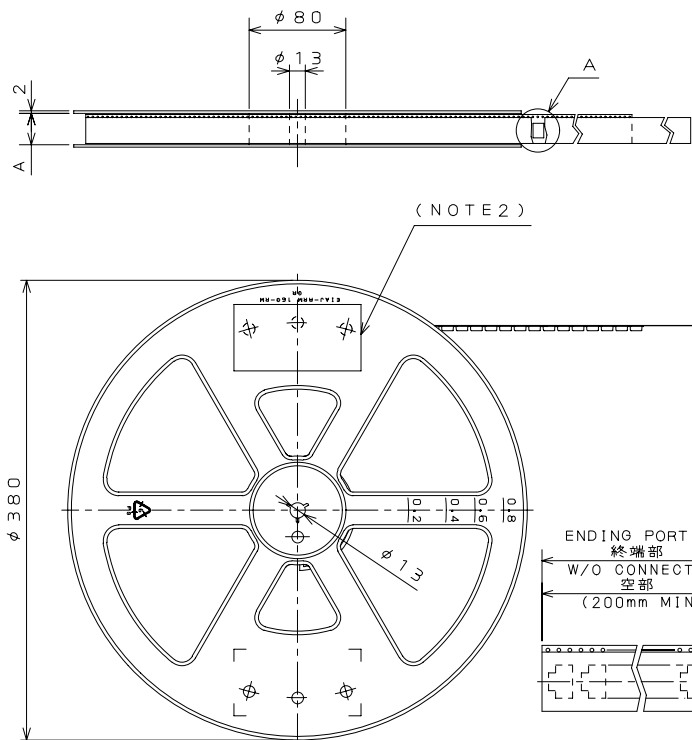
Right-Angle Type

No. of Contacts:  
21, 31, 41, 51 pos.

Receptacle



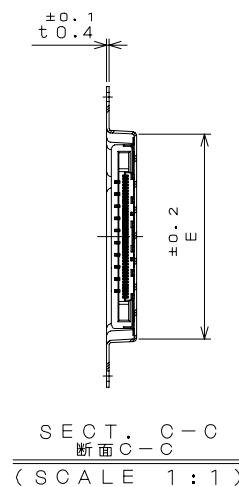
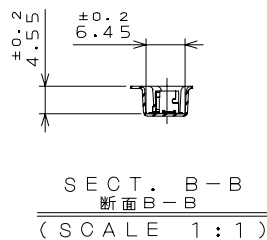
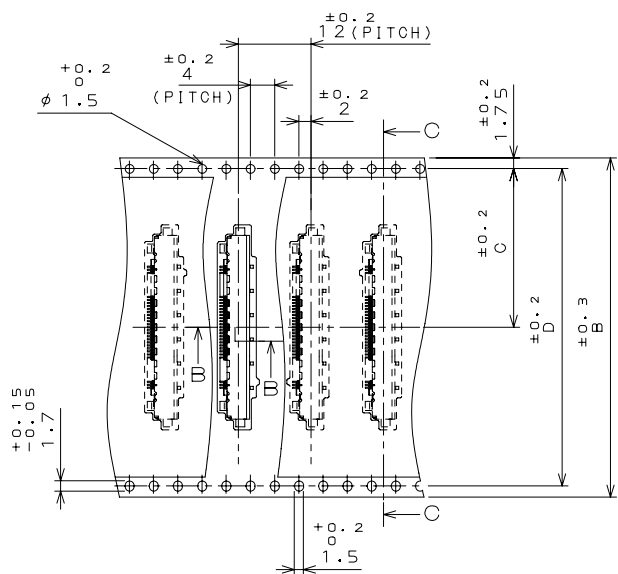
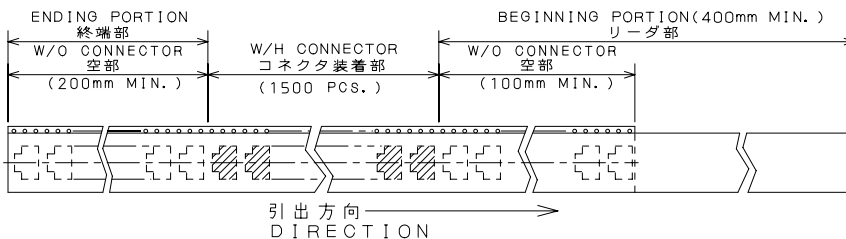
**A1**



Unit: mm

Dimensions

NO.OF CONTACT	A	B	C	D	E
2 1	46	44	20.2	40.4	23.85
3 1	46	44	20.2	40.4	28.85
4 1	58	56	26.2	52.4	33.85
5 1	58	56	26.2	52.4	38.85



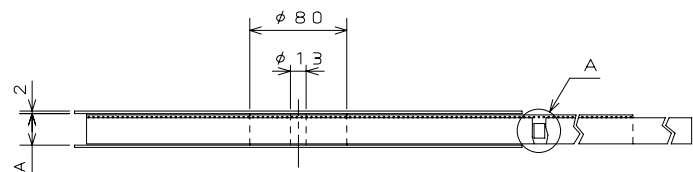
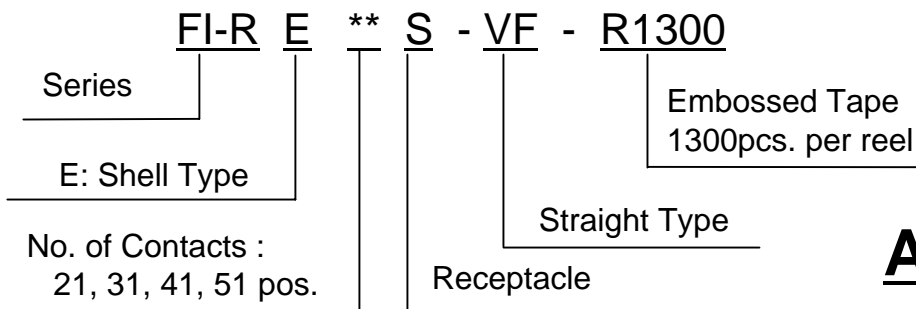
DETAIL A  
A部詳細図  
(SCALE 1:1)



查询"FI-RE51S-VF-R1300"供应商

Ordering Information

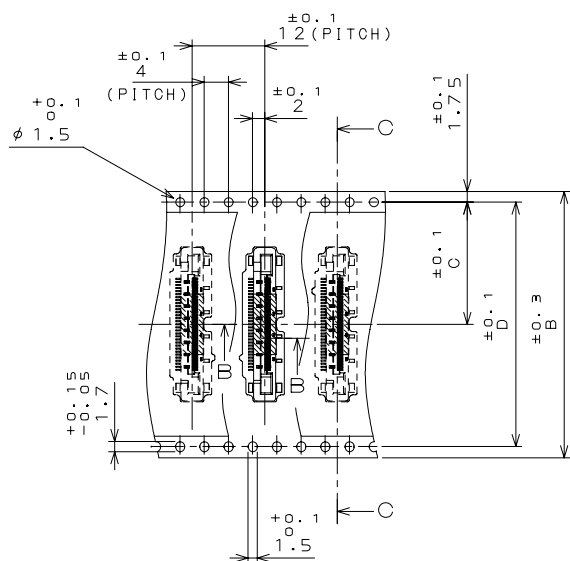
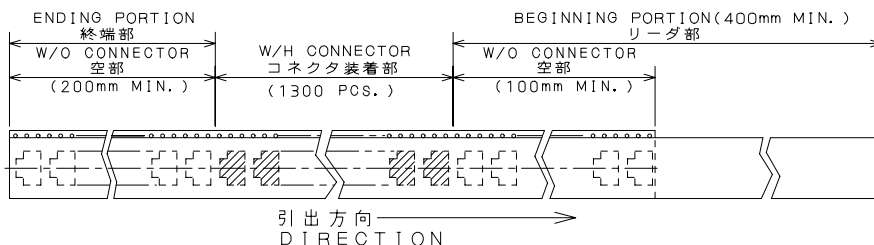
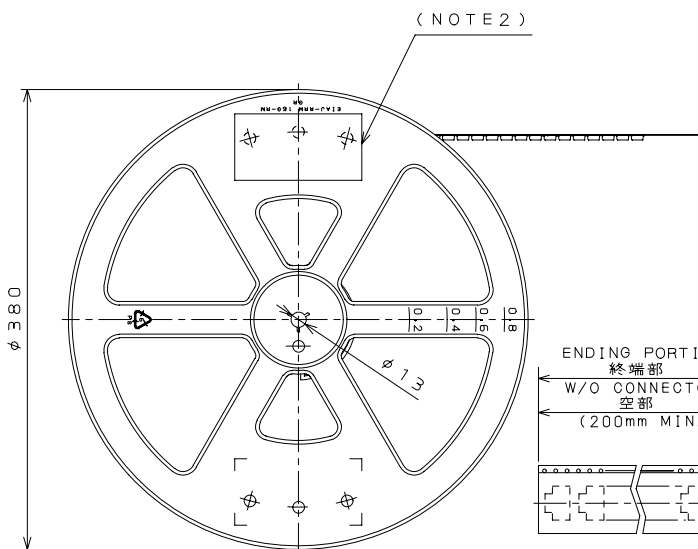
Receptacle (Straight, shell type)  
Embossed Tape Reel (SJ102936 )



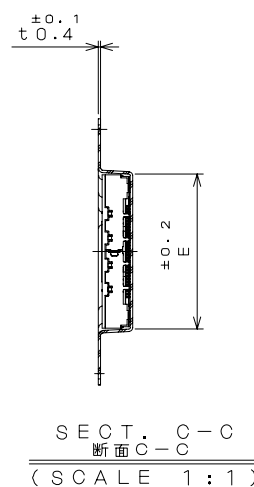
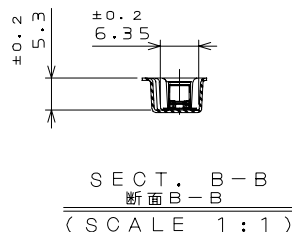
Unit: mm

Dimensions

NO.OF CONTACT	A	B	C	D	E
21	46	44	20.2	40.4	20.6
31	46	44	20.2	40.4	25.6
41	58	56	26.2	52.4	30.6
51	58	56	26.2	52.4	35.6



DETAIL A  
A部詳細図  
(SCALE 1:1)

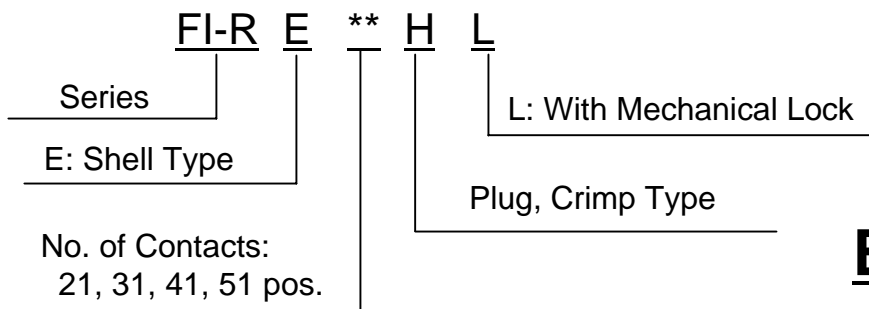




查询"FI-RE51S-VF-R1300"供应商

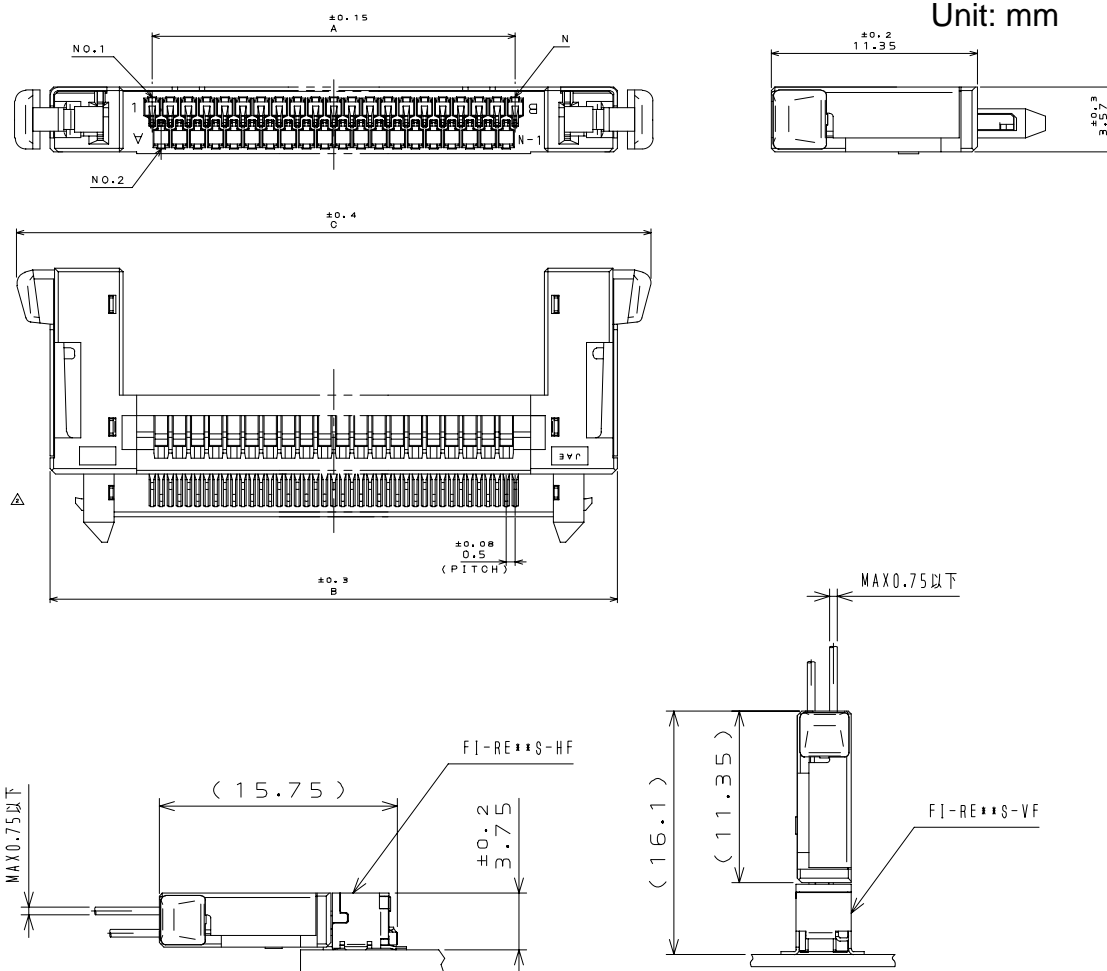
Ordering Information

Plug, Crimp Type (Lock, shell type)  
Individual Connector (SJ103279)



**B1**

Unit: mm



Drawing when mated (for reference)

Dimensions

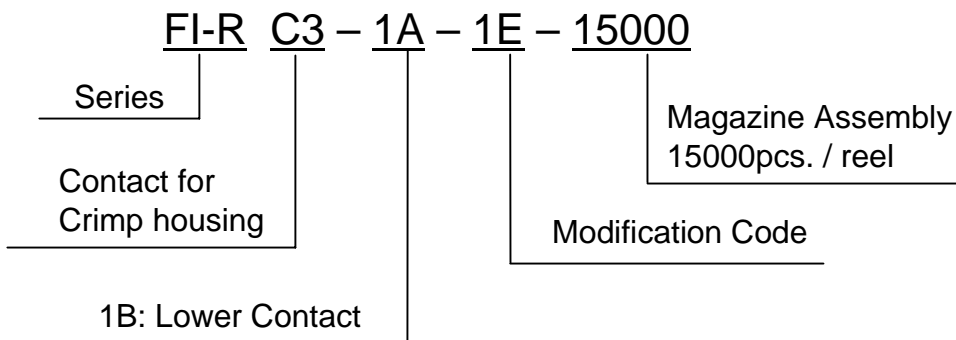
NO. OF CONTACTS (N)	DEMENSION		
	A	B	C
21	10	21.25	24.95
31	15	26.25	29.95
41	20	31.25	34.95
51	25	36.25	39.95



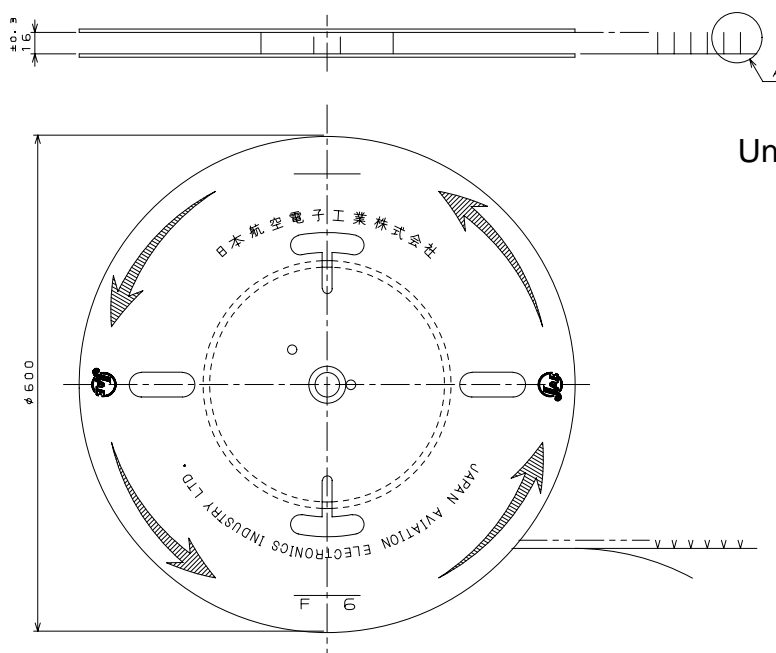
[查询"FI-RE51S-VF-R1300"供应商](#)

Ordering Information

Lower Contact for Crimp Housing (SJ103061)

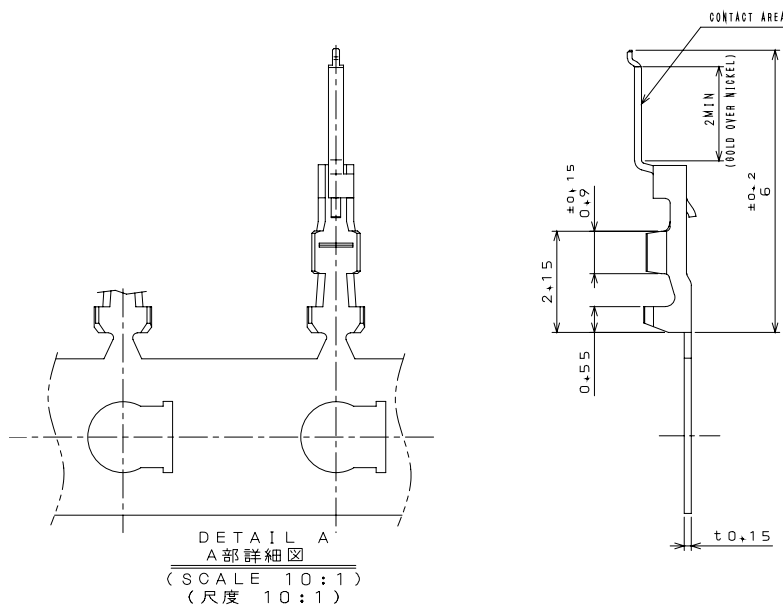


**B3**



EXCLUDING CRIMP POT

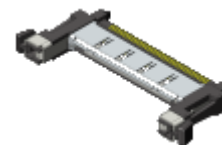
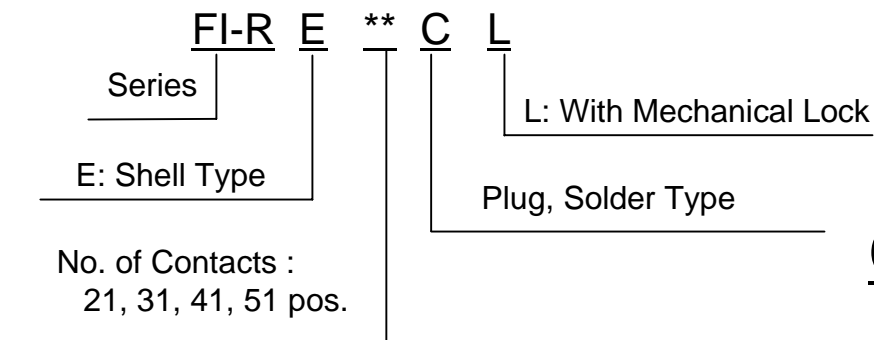
クリンプポット部は除く



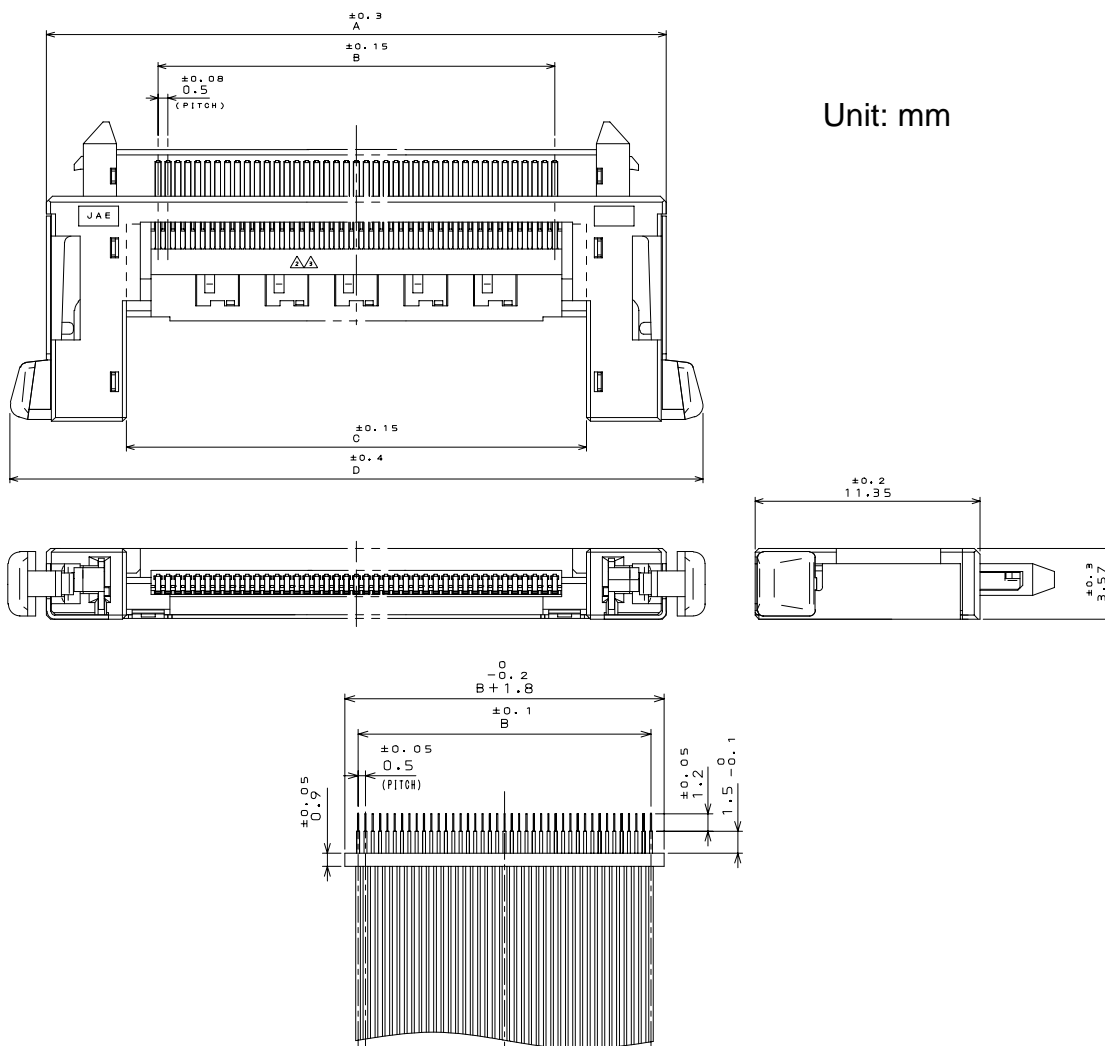
[查询"FI-RE51S-VF-R1300"供应商](#)

Ordering Information

Plug, Solder Type (Lock, shell type)  
(SJ104311)



**C1**



Drawing when cable is connected (for reference)

Dimensions


NO. OF CONTACTS (N)	A	B	C	D
21	21.25	10.0	13.2	24.95
31	26.25	15.0	18.2	29.95
41	31.25	20.0	23.2	34.95
51	36.25	25.0	28.2	39.95

查询"FI-RE51S-VF-R1300"供应商

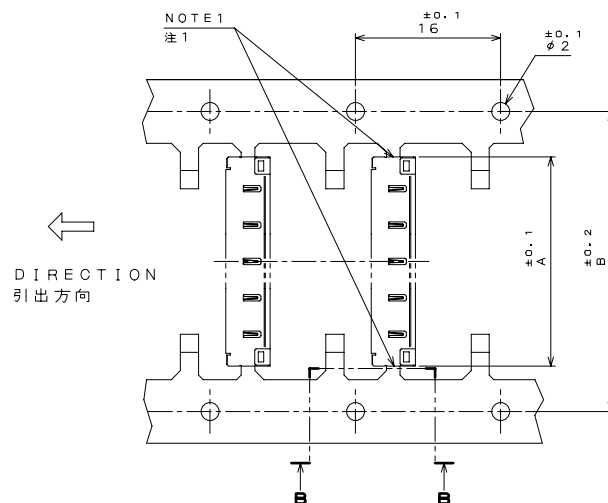
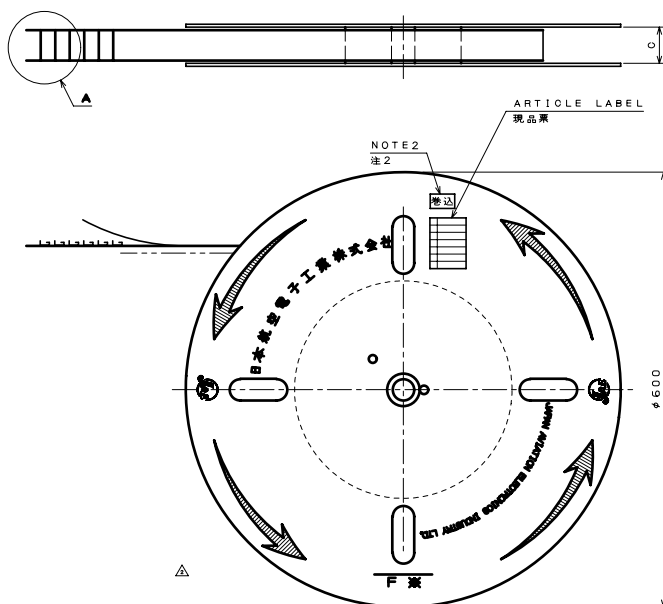
Ordering Information

Cover Shell for Solder Type (SJ104716)

**FI-R E \*\* C L - SH2 - 3000**  
 Series  
 E: Shell Type  
 No. of Contacts : 21, 31, 41, 51 pos.  
 Embossed Tape 3000pcs. per reel  
 Cover Shell  
 L: With Mechanical Lock  
 Plug Solder Type  
**C2**

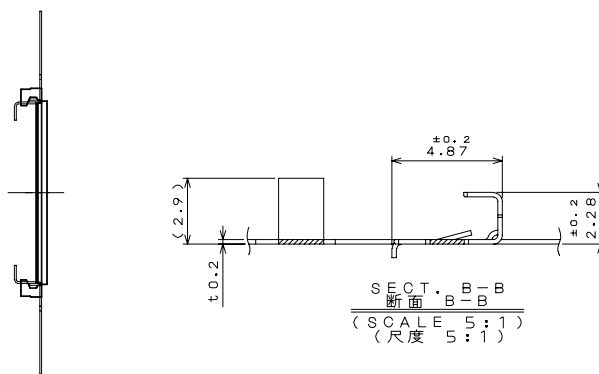


Unit: mm



Dimensions

NO. OF CONTACT 芯数	A	B	C
21	13.0	19.0	26.0
31	18.0	28.0	40.0
41	23.0	35.0	50.0
51	28.0	34.0	40.0



DETAIL A  
 A部詳細図  
 (SCALE 2:1)  
 (尺度 2:1)

[查询"FI-RE51S-VF-R1300"供应商](#)

Lineup

Receptacle



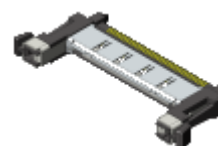
Number of Contacts	Type	Mounting Direction	Part Number	Reel Part Number
21	Shell	Right-angle	FI-RE21S-HF	FI-RE21S-HF-R1500
		Straight	FI-RE21S-VF	FI-RE21S-VF-R1300
31	Shell	Right-angle	FI-RE31S-HF	FI-RE31S-HF-R1500
		Straight	FI-RE31S-VF	FI-RE31S-VF-R1300
41	Shell	Right-angle	FI-RE41S-HF	FI-RE41S-HF-R1500
		Straight	FI-RE41S-VF	FI-RE41S-VF-R1300
51	Shell	Right-angle	FI-RE51S-HF	FI-RE51S-HF-R1500
		Straight	FI-RE51S-VF	FI-RE51S-VF-R1300

Plug, Crimp Type



Number of Contacts	Type	Mechanical Lock	Part Number
21	Shell	Yes	FI-RE21HL
31	Shell	Yes	FI-RE31HL
41	Shell	Yes	FI-RE41HL
51	Shell	Yes	FI-RE51HL

Plug, Solder Type



Number of Contacts	Type	Mechanical Lock	Part Number	Cover Shell Part Number
21	Shell	Yes	FI-RE21CL	FI-RE21CL-SH2-3000
31			FI-RE31CL	FI-RE31CL-SH2-3000
41			FI-RE41CL	FI-RE41CL-SH2-3000
51			FI-RE51CL	FI-RE51CL-SH2-3000

[查询"FI-RE51S-VF-R1300"供应商](#)**Related Documents**

## ▪ Contact Crimp Tool (Manual)

Part Number: CT150-4C-FIR  
Handling Instruction: T700276

## ▪ Contact Crimp Tool (Semi-automatic machine)

## Press Machine

Part Number: CT215-4B  
Handling Instruction: T707064

## Applicator

Part Number: 350-FI-2B  
Handling Instruction: T703263**Japan Aviation Electronics Industry, Limited**Product Marketing Division  
Aobadai Building, 3-1-19, Aobadai, Meguro-ku, Tokyo 153-8539  
Phone: +81-3-3780-2787 FAX: +81-3-3780-2946**Notice:** Products shown in this leaflet are made for the applications listed below. However, if the above-mentioned products are to be used in aerospace devices, marine cable-connection devices, atomic power control systems, medical equipment for life-support systems, and any other specific application requiring extremely high reliability, please contact JAE for further information.

Recommended applications: Computers, Office machines, Measuring devices, Telecommunication devices (Terminals, Mobile devices), AV devices, Household applications, FA devices, etc.

**This datasheet has been downloaded from:**

**[www.EEworld.com.cn](http://www.EEworld.com.cn)**

**Free Download**

**Daily Updated Database**

**100% Free Datasheet Search Site**

**100% Free IC Replacement Search Site**

**Convenient Electronic Dictionary**

**Fast Search System**

**[www.EEworld.com.cn](http://www.EEworld.com.cn)**