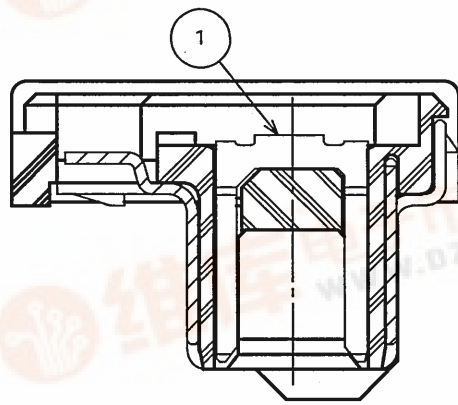
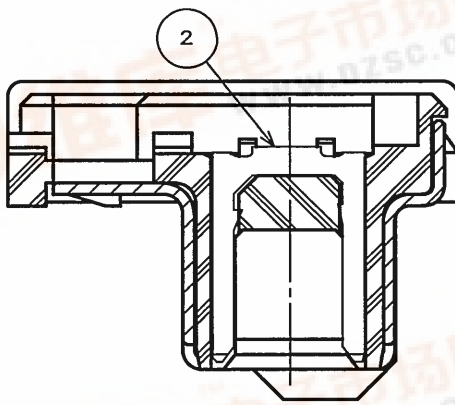
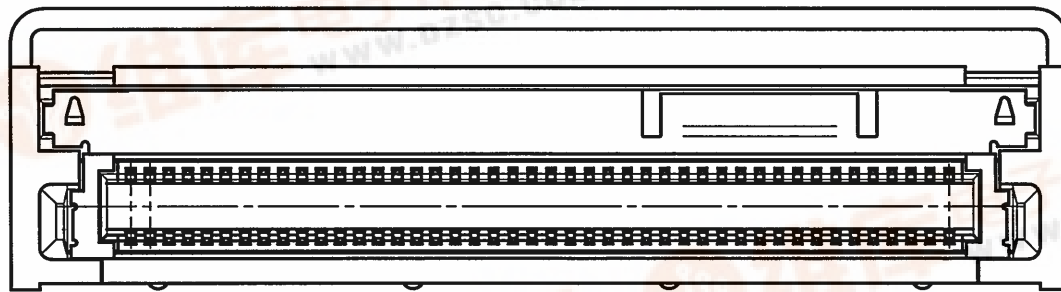
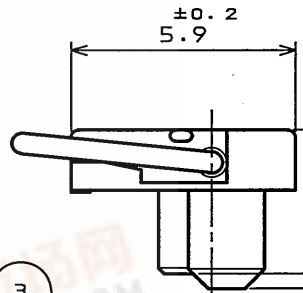
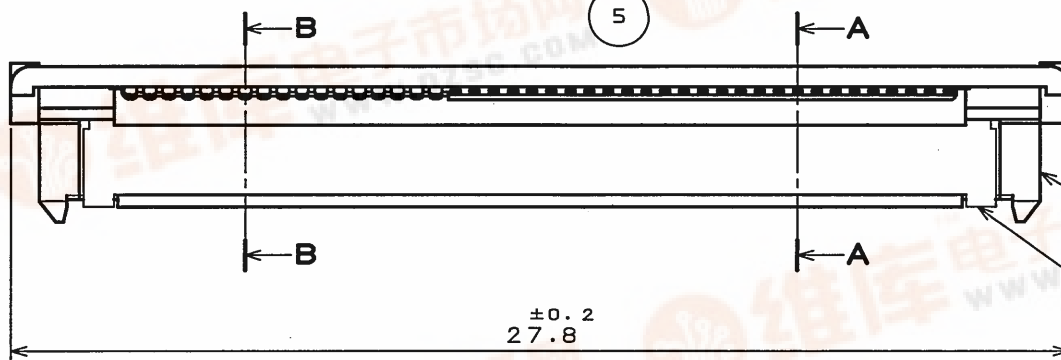
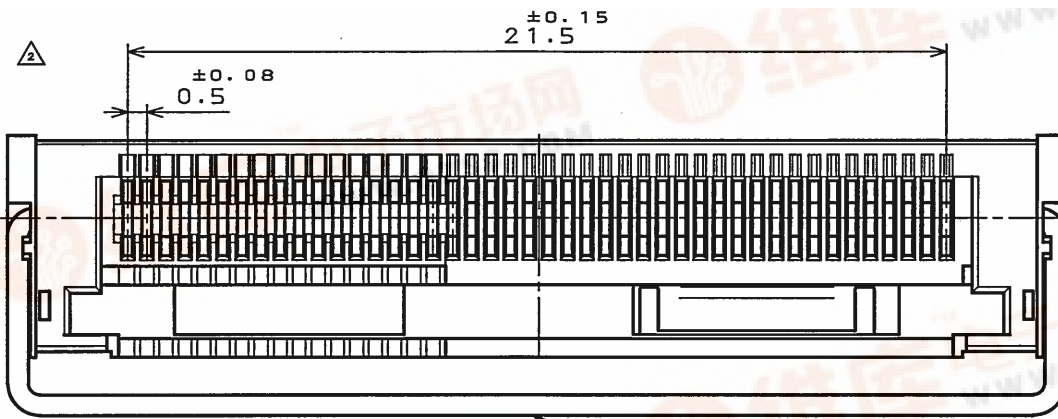


特別管理品
SPECIAL CONTROL
D C O M



SECT. B-B
(SCALE 10:1)

SECT. A-A
(SCALE 10:1)

NOTE1. This PULL BAR is an attached part and is built in after cable assembling to the main body.

注1. このプルバーは添付品であり、ケーブル装着後に本体へ組み込まれる。

OF-0-212E(03.08)



LEAD FREE この製品は鉛フリー品です

This datasheet has been downloaded from:

www.EEworld.com.cn

Free Download

Daily Updated Database

100% Free Datasheet Search Site

100% Free IC Replacement Search Site

Convenient Electronic Dictionary

Fast Search System

www.EEworld.com.cn