

# Programmable Timer

The MC14541B programmable timer consists of a 16–stage binary counter, an integrated oscillator for use with an external capacitor and two resistors, an automatic power–on reset circuit, and output control logic.

Timing is initialized by turning on power, whereupon the power–on reset is enabled and initializes the counter, within the specified  $V_{DD}$  range. With the power already on, an external reset pulse can be applied. Upon release of the initial reset command, the oscillator will oscillate with a frequency determined by the external RC network. The 16–stage counter divides the oscillator frequency ( $f_{osc}$ ) with the  $n^{th}$  stage frequency being  $f_{osc}/2^n$ .

- Available Outputs  $2^8$ ,  $2^{10}$ ,  $2^{13}$  or  $2^{16}$
- Increments on Positive Edge Clock Transitions
- Built–in Low Power RC Oscillator ( $\pm 2\%$  accuracy over temperature range and  $\pm 20\%$  supply and  $\pm 3\%$  over processing at  $< 10$  kHz)
- Oscillator May Be Bypassed if External Clock Is Available (Apply external clock to Pin 3)
- External Master Reset Totally Independent of Automatic Reset Operation
- Operates as  $2^n$  Frequency Divider or Single Transition Timer
- $Q/\bar{Q}$  Select Provides Output Logic Level Flexibility
- Reset (auto or master) Disables Oscillator During Resetting to Provide No Active Power Dissipation
- Clock Conditioning Circuit Permits Operation with Very Slow Clock Rise and Fall Times
- Automatic Reset Initializes All Counters On Power Up
- Supply Voltage Range = 3.0 Vdc to 18 Vdc with Auto Reset Disabled (Pin 5 =  $V_{DD}$ )  
 = 8.5 Vdc to 18 Vdc with Auto Reset Enabled (Pin 5 =  $V_{SS}$ )

### MAXIMUM RATINGS (Voltages Referenced to $V_{SS}$ ) (Note 2.)

| Symbol               | Parameter                                       | Value                  | Unit |
|----------------------|---|------------------------|------|
| $V_{DD}$             | DC Supply Voltage Range                         | –0.5 to +18.0          | V    |
| $V_{in}$ , $V_{out}$ | Input or Output Voltage Range (DC or Transient) | –0.5 to $V_{DD} + 0.5$ | V    |
| $I_{in}$             | Input Current (DC or Transient)                 | $\pm 10$ (per Pin)     | mA   |
| $I_{out}$            | Output Current (DC or Transient)                | $\pm 45$ (per Pin)     | mA   |
| $P_D$                | Power Dissipation, per Package (Note 3.)        | 500                    | mW   |
| $T_A$                | Ambient Temperature Range                       | –55 to +125            | °C   |
| $T_{stg}$            | Storage Temperature Range                       | –65 to +150            | °C   |
| $T_L$                | Lead Temperature (8–Second Soldering)           | 260                    | °C   |

2. Maximum Ratings are those values beyond which damage to the device may occur.
3. Temperature Derating:  
 Plastic “P and D/DW” Packages: – 7.0 mW/°C From 65°C To 125°C



ON Semiconductor

<http://onsemi.com>

**MARKING DIAGRAMS**

**PDIP–14 P SUFFIX CASE 646**

**SOIC–14 D SUFFIX CASE 751A**

**TSSOP–14 DT SUFFIX CASE 948G**

**SOEIAJ–14 F SUFFIX CASE 965**

A = Assembly Location  
 WL or L = Wafer Lot  
 YY or Y = Year  
 WW or W = Work Week

### ORDERING INFORMATION

| Device       | Package   | Shipping         |
|--------------|-----------|------------------|
| MC14541BCP   | PDIP–14   | 2000/Box         |
| MC14541BD    | SOIC–14   | 55/Rail          |
| MC14541BDR2  | SOIC–14   | 2500/Tape & Reel |
| MC14541BDT   | TSSOP–14  | 96/Rail          |
| MC14541BDTR2 | TSSOP–14  | 2500/Tape & Reel |
| MC14541BF    | SOEIAJ–14 | See Note 1.      |
| MC14541BFEL  | SOEIAJ–14 | See Note 1.      |

1. For ordering information on the EIAJ version of the SOIC packages, please contact your local ON Semiconductor representative.

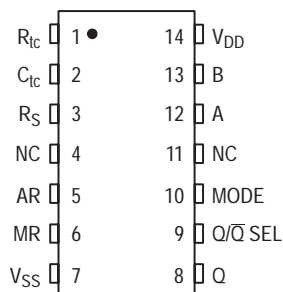
This device contains protection circuitry to guard against damage due to high static voltages or electric fields. However, precautions must be taken to avoid applications of any voltage higher than maximum rated voltages to this high–impedance circuit. For proper operation,  $V_{in}$  and  $V_{out}$  should be constrained to the range  $V_{SS} \leq (V_{in} \text{ or } V_{out}) \leq V_{DD}$ .

Unused inputs must always be tied to an appropriate logic voltage level (e.g., either  $V_{SS}$  or  $V_{DD}$ ). Unused outputs must be left open.

# MC14541B

[查询"MC14541"供应商](#)

## PIN ASSIGNMENT



NC = NO CONNECTION

## ELECTRICAL CHARACTERISTICS (Voltages Referenced to V<sub>SS</sub>)

| Characteristic   | Symbol                    | V <sub>DD</sub><br>Vdc | - 55°C  |       | 25°C   |                    |       | 125°C |      | Unit |
|--|---------------------------|------------------------|---|-------|--------|--------------------|-------|-------|------|------|
|  |                           |                        | Min   | Max   | Min    | Typ <sup>(4)</sup> | Max   | Min   | Max  |      |
| Output Voltage<br>"0" Level<br>V <sub>in</sub> = V <sub>DD</sub> or 0  | V <sub>OL</sub>           | 5.0                    | —   | 0.05  | —      | 0                  | 0.05  | —     | 0.05 | Vdc  |
|  |                           | 10                     | —   | 0.05  | —      | 0                  | 0.05  | —     | 0.05 |      |
| 15   |                           | —                      | 0.05  | —     | 0      | 0.05               | —     | 0.05  |      |      |
| "1" Level<br>V <sub>in</sub> = 0 or V <sub>DD</sub>  | V <sub>OH</sub>           | 5.0                    | 4.95  | —     | 4.95   | 5.0                | —     | 4.95  | —    | Vdc  |
| 10   |                           | 9.95                   | —   | 9.95  | 10     | —                  | 9.95  | —     |      |      |
| 15   |                           | 14.95                  | —   | 14.95 | 15     | —                  | 14.95 | —     |      |      |
| Input Voltage<br>"0" Level<br>(V <sub>O</sub> = 4.5 or 0.5 Vdc)<br>(V <sub>O</sub> = 9.0 or 1.0 Vdc)<br>(V <sub>O</sub> = 13.5 or 1.5 Vdc) | V <sub>IL</sub>           | 5.0                    | —   | 1.5   | —      | 2.25               | 1.5   | —     | 1.5  | Vdc  |
|  |                           | 10                     | —   | 3.0   | —      | 4.50               | 3.0   | —     | 3.0  |      |
| 15   |                           | —                      | 4.0   | —     | 6.75   | 4.0                | —     | 4.0   |      |      |
| "1" Level<br>(V <sub>O</sub> = 0.5 or 4.5 Vdc)<br>(V <sub>O</sub> = 1.0 or 9.0 Vdc)<br>(V <sub>O</sub> = 1.5 or 13.5 Vdc)                  | V <sub>IH</sub>           | 5.0                    | 3.5   | —     | 3.5    | 2.75               | —     | 3.5   | —    | Vdc  |
| 10   |                           | 7.0                    | —   | 7.0   | 5.50   | —                  | 7.0   | —     |      |      |
| 15   |                           | 11                     | —   | 11    | 8.25   | —                  | 11    | —     |      |      |
| Output Drive Current<br>(V <sub>OH</sub> = 2.5 Vdc)<br>(V <sub>OH</sub> = 9.5 Vdc)<br>(V <sub>OH</sub> = 13.5 Vdc)                         | Source<br>I <sub>OH</sub> | 5.0                    | -7.96   | —     | -6.42  | -12.83             | —     | -4.49 | —    | mAdc |
|  |                           | 10                     | -4.19   | —     | -3.38  | -6.75              | —     | -2.37 | —    |      |
| 15   |                           | -16.3                  | —   | -13.2 | -26.33 | —                  | -9.24 | —     |      |      |
| (V <sub>OL</sub> = 0.4 Vdc)<br>(V <sub>OL</sub> = 0.5 Vdc)<br>(V <sub>OL</sub> = 1.5 Vdc)  | Sink<br>I <sub>OL</sub>   | 5.0                    | 1.93  | —     | 1.56   | 3.12               | —     | 1.09  | —    | mAdc |
| 10   |                           | 4.96                   | —   | 4.0   | 8.0    | —                  | 2.8   | —     |      |      |
| 15   |                           | 19.3                   | —   | 15.6  | 31.2   | —                  | 10.9  | —     |      |      |
| Input Current  | I <sub>in</sub>           | 15                     | —   | ±0.1  | —      | ±0.00001           | ±0.1  | —     | ±1.0 | μAdc |
| Input Capacitance<br>(V <sub>in</sub> = 0)   | C <sub>in</sub>           | —                      | —   | —     | —      | 5.0                | 7.5   | —     | —    | pF   |
| Quiescent Current<br>(Pin 5 is High)<br>Auto Reset Disabled  | I <sub>DD</sub>           | 5.0                    | —   | 5.0   | —      | 0.005              | 5.0   | —     | 150  | μAdc |
|  |                           | 10                     | —   | 10    | —      | 0.010              | 10    | —     | 300  |      |
|  |                           | 15                     | —   | 20    | —      | 0.015              | 20    | —     | 600  |      |
| Auto Reset Quiescent Current<br>(Pin 5 is low)   | I <sub>DDR</sub>          | 10                     | —   | 250   | —      | 30                 | 250   | —     | 1500 | μAdc |
|  |                           | 15                     | —   | 500   | —      | 82                 | 500   | —     | 2000 |      |
| Supply Current <sup>(5.)</sup> <sup>(6.)</sup><br>(Dynamic plus Quiescent)   | I <sub>D</sub>            | 5.0                    | I <sub>D</sub> = (0.4 μA/kHz) f + I <sub>DD</sub> |       |        |                    |       |       | μAdc |      |
|  |                           | 10                     | I <sub>D</sub> = (0.8 μA/kHz) f + I <sub>DD</sub> |       |        |                    |       |       |      |      |
|  |                           | 15                     | I <sub>D</sub> = (1.2 μA/kHz) f + I <sub>DD</sub> |       |        |                    |       |       |      |      |

4. Data labelled "Typ" is not to be used for design purposes but is intended as an indication of the IC's potential performance.

5. The formulas given are for the typical characteristics only at 25°C.

6. When using the on chip oscillator the total supply current (in μAdc) becomes: I<sub>T</sub> = I<sub>D</sub> + 2 C<sub>tc</sub> V<sub>DD</sub> f × 10<sup>-3</sup> where I<sub>D</sub> is in μA, C<sub>tc</sub> is in pF, V<sub>DD</sub> in Volts DC, and f in kHz. (see Fig. 3) Dissipation during power-on with automatic reset enabled is typically 50 μA @ V<sub>DD</sub> = 10 Vdc.

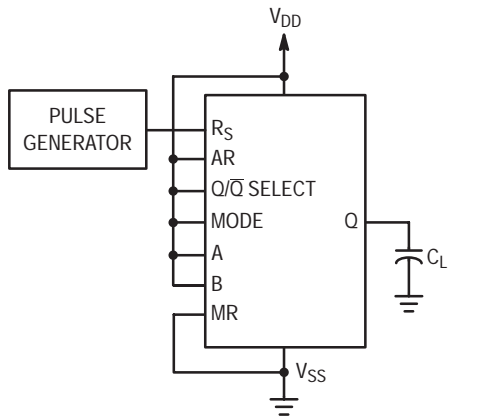
# MC14541B

## SWITCHING CHARACTERISTICS (7.) ( $C_L = 50 \text{ pF}$ , $T_A = 25^\circ\text{C}$ )

| Characteristic   | Symbol                   | $V_{DD}$        | Min               | Typ (8.)           | Max                | Unit          |
|--|--------------------------|-----------------|-------------------|--------------------|--------------------|---------------|
| Output Rise and Fall Time<br>$t_{TLH}$ , $t_{THL} = (1.5 \text{ ns/pF}) C_L + 25 \text{ ns}$<br>$t_{TLH}$ , $t_{THL} = (0.75 \text{ ns/pF}) C_L + 12.5 \text{ ns}$<br>$t_{TLH}$ , $t_{THL} = (0.55 \text{ ns/pF}) C_L + 9.5 \text{ ns}$                          | $t_{TLH}$ ,<br>$t_{THL}$ | 5.0<br>10<br>15 | —<br>—<br>—       | 100<br>50<br>40    | 200<br>100<br>80   | ns            |
| Propagation Delay, Clock to Q ( $2^8$ Output)<br>$t_{PLH}$ , $t_{PHL} = (1.7 \text{ ns/pF}) C_L + 3415 \text{ ns}$<br>$t_{PLH}$ , $t_{PHL} = (0.66 \text{ ns/pF}) C_L + 1217 \text{ ns}$<br>$t_{PLH}$ , $t_{PHL} = (0.5 \text{ ns/pF}) C_L + 875 \text{ ns}$     | $t_{PLH}$<br>$t_{PHL}$   | 5.0<br>10<br>15 | —<br>—<br>—       | 3.5<br>1.25<br>0.9 | 10.5<br>3.8<br>2.9 | $\mu\text{s}$ |
| Propagation Delay, Clock to Q ( $2^{16}$ Output)<br>$t_{PHL}$ , $t_{PLH} = (1.7 \text{ ns/pF}) C_L + 5915 \text{ ns}$<br>$t_{PHL}$ , $t_{PLH} = (0.66 \text{ ns/pF}) C_L + 3467 \text{ ns}$<br>$t_{PHL}$ , $t_{PLH} = (0.5 \text{ ns/pF}) C_L + 2475 \text{ ns}$ | $t_{PHL}$<br>$t_{PLH}$   | 5.0<br>10<br>15 | —<br>—<br>—       | 6.0<br>3.5<br>2.5  | 18<br>10<br>7.5    | $\mu\text{s}$ |
| Clock Pulse Width  | $t_{WH(cl)}$             | 5.0<br>10<br>15 | 900<br>300<br>225 | 300<br>100<br>85   | —<br>—<br>—        | ns            |
| Clock Pulse Frequency (50% Duty Cycle)   | $f_{cl}$                 | 5.0<br>10<br>15 | —<br>—<br>—       | 1.5<br>4.0<br>6.0  | 0.75<br>2.0<br>3.0 | MHz           |
| MR Pulse Width   | $t_{WH(R)}$              | 5.0<br>10<br>15 | 900<br>300<br>225 | 300<br>100<br>85   | —<br>—<br>—        | ns            |
| Master Reset Removal Time  | $t_{rem}$                | 5.0<br>10<br>15 | 420<br>200<br>200 | 210<br>100<br>100  | —<br>—<br>—        | ns            |

7. The formulas given are for the typical characteristics only at  $25^\circ\text{C}$ .

8. Data labelled "Typ" is not to be used for design purposes but is intended as an indication of the IC's potential performance.



( $R_{Tc}$  AND  $C_{Tc}$  OUTPUTS ARE LEFT OPEN)

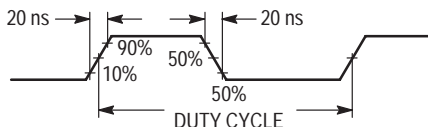


Figure 1. Power Dissipation Test Circuit and Waveform

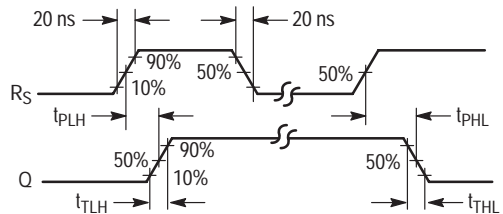
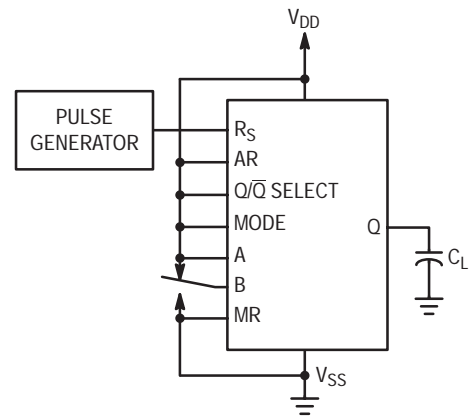
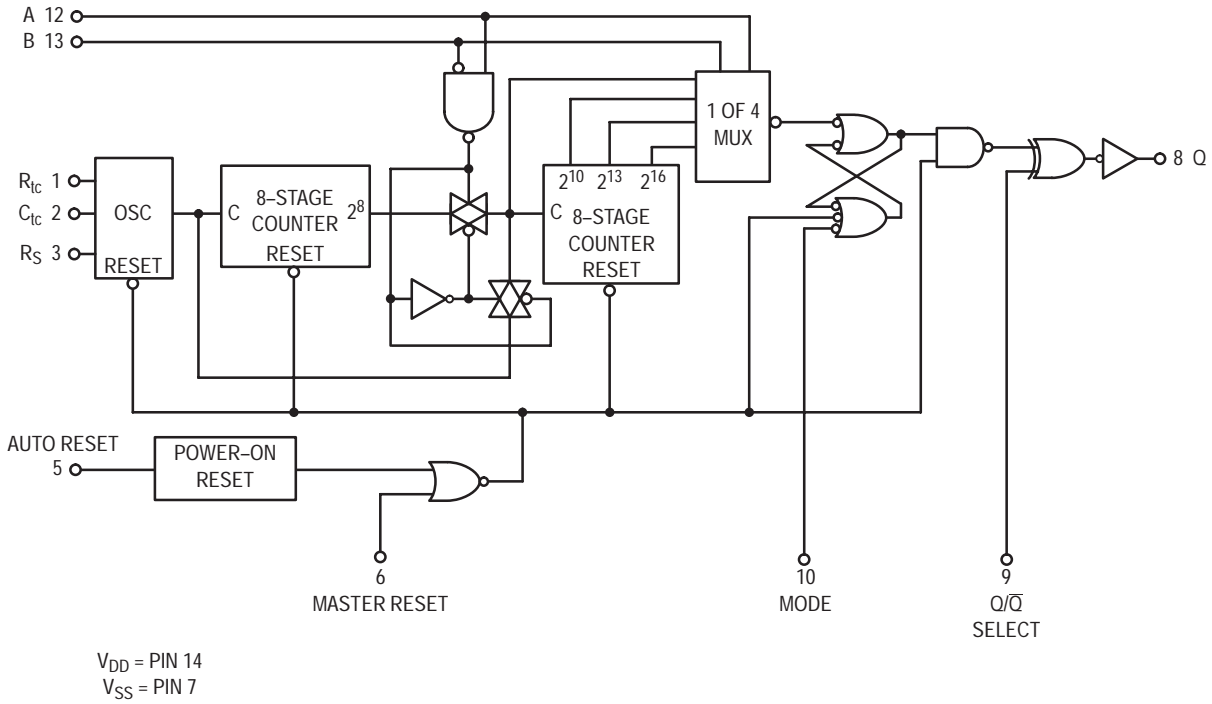


Figure 2. Switching Time Test Circuit and Waveforms

# MC14541B

## EXPANDED BLOCK DIAGRAM

[查询"MC14541"供应商](#)

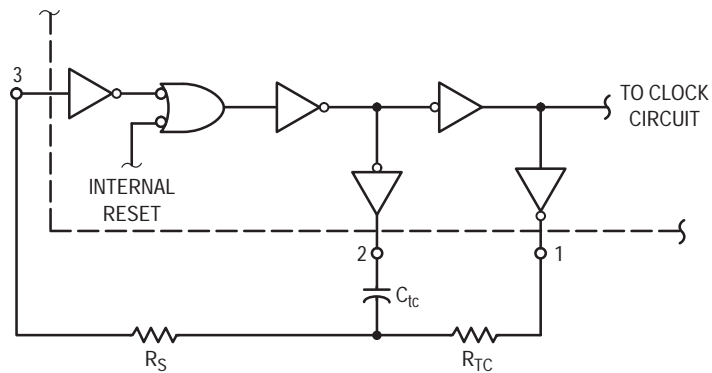


**FREQUENCY SELECTION TABLE**

| A | B | Number of Counter Stages n | Count $2^n$ |
|---|---|----------------------------|-------------|
| 0 | 0 | 13                         | 8192        |
| 0 | 1 | 10                         | 1024        |
| 1 | 0 | 8                          | 256         |
| 1 | 1 | 16                         | 65536       |

**TRUTH TABLE**

| Pin             | State                            |                                   |
|-----------------|----------------------------------|-----------------------------------|
|                 | 0                                | 1                                 |
| Auto Reset, 5   | Auto Reset Operating             | Auto Reset Disabled               |
| Master Reset, 6 | Timer Operational                | Master Reset On                   |
| $Q/\bar{Q}$ , 9 | Output Initially Low After Reset | Output Initially High After Reset |
| Mode, 10        | Single Cycle Mode                | Recycle Mode                      |



**Figure 3. Oscillator Circuit Using RC Configuration**

查询"MC14541"供应商

TYPICAL RC OSCILLATOR CHARACTERISTICS

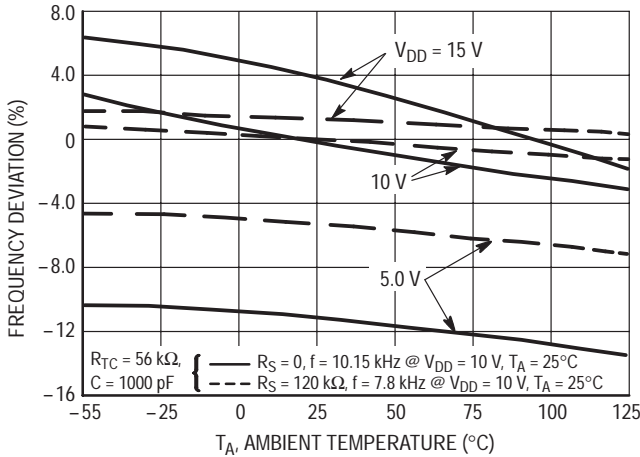


Figure 4. RC Oscillator Stability

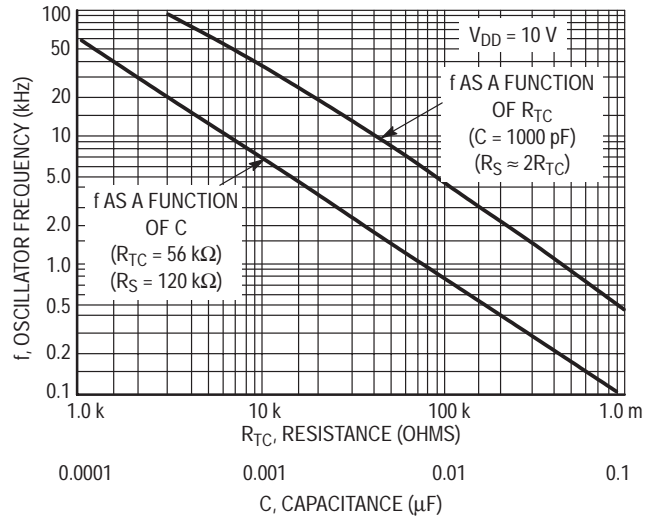


Figure 5. RC Oscillator Frequency as a Function of  $R_{TC}$  and  $C_{TC}$

OPERATING CHARACTERISTICS

With Auto Reset pin set to a “0” the counter circuit is initialized by turning on power. Or with power already on, the counter circuit is reset when the Master Reset pin is set to a “1”. Both types of reset will result in synchronously resetting all counter stages independent of counter state. Auto Reset pin when set to a “1” provides a low power operation.

The RC oscillator as shown in Figure 3 will oscillate with a frequency determined by the external RC network i.e.,

$$f = \frac{1}{2.3 R_{TC} C_{TC}} \quad \text{if } (1 \text{ kHz} \leq f \leq 100 \text{ kHz})$$

and  $R_S \approx 2 R_{TC}$  where  $R_S \geq 10 \text{ k}\Omega$

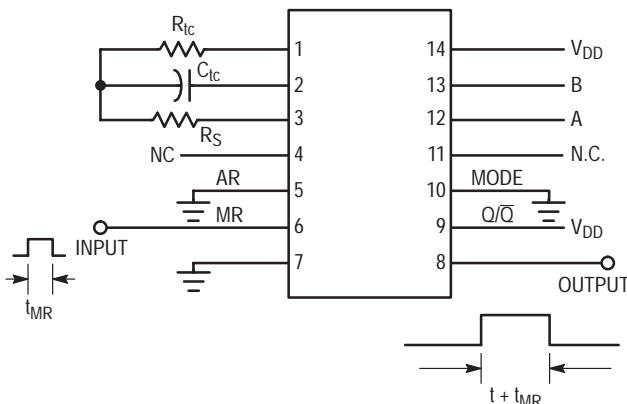
The time select inputs (A and B) provide a two-bit address to output any one of four counter stages ( $2^8$ ,  $2^{10}$ ,  $2^{13}$  and  $2^{16}$ ). The  $2^n$  counts as shown in the Frequency Selection Table represents the Q output of the  $N^{\text{th}}$  stage of the counter. When A is “1”,  $2^{16}$  is selected for both states of B. However,

when B is “0”, normal counting is interrupted and the 9th counter stage receives its clock directly from the oscillator (i.e., effectively outputting  $2^8$ ).

The  $Q/\bar{Q}$  select output control pin provides for a choice of output level. When the counter is in a reset condition and  $Q/\bar{Q}$  select pin is set to a “0” the Q output is a “0”, correspondingly when  $Q/\bar{Q}$  select pin is set to a “1” the Q output is a “1”.

When the mode control pin is set to a “1”, the selected count is continually transmitted to the output. But, with mode pin “0” and after a reset condition the  $R_S$  flip-flop (see Expanded Block Diagram) resets, counting commences, and after  $2^{n-1}$  counts the  $R_S$  flip-flop sets which causes the output to change state. Hence, after another  $2^{n-1}$  counts the output will not change. Thus, a Master Reset pulse must be applied or a change in the mode pin level is required to reset the single cycle operation.

DIGITAL TIMER APPLICATION



When Master Reset (MR) receives a positive pulse, the internal counters and latch are reset. The Q output goes high and remains high until the selected (via A and B) number of clock pulses are counted, the Q output then goes low and remains low until another input pulse is received.

This “one shot” is fully retriggerable and as accurate as the input frequency. An external clock can be used (pin 3 is the clock input, pins 1 and 2 are outputs) if additional accuracy is needed.

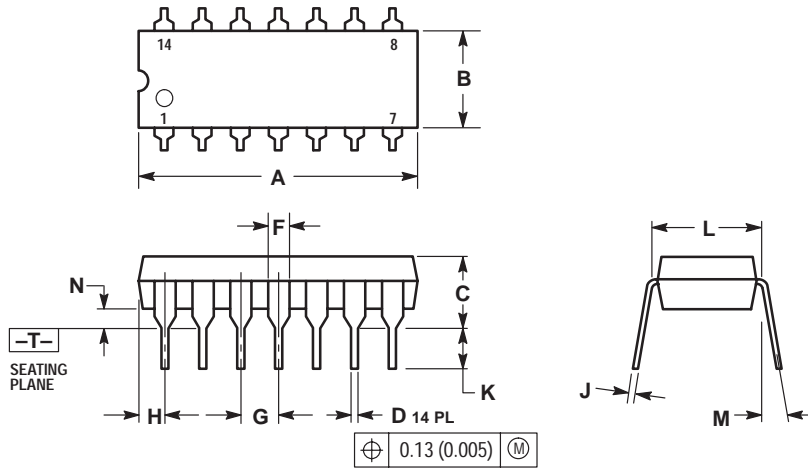
Notice that a setup time equal to the desired pulse width output is required immediately following initial power up, during which time Q output will be high.

# MC14541B

[查询"MC14541"供应商](#)

## PACKAGE DIMENSIONS

### P SUFFIX PLASTIC DIP PACKAGE CASE 646-06 ISSUE M

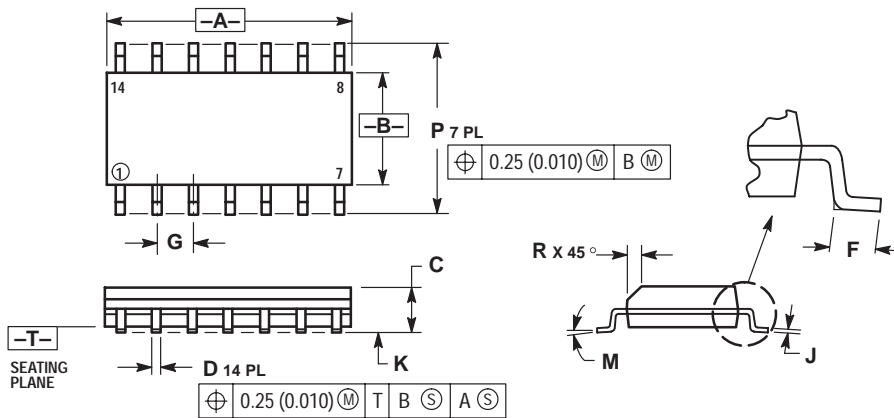


NOTES:

1. DIMENSIONING AND TOLERANCING PER ANSI Y14.5M, 1982.
2. CONTROLLING DIMENSION: INCH.
3. DIMENSION L TO CENTER OF LEADS WHEN FORMED PARALLEL.
4. DIMENSION B DOES NOT INCLUDE MOLD FLASH.
5. ROUNDED CORNERS OPTIONAL.

| DIM | INCHES    |       | MILLIMETERS |       |
|-----|-----------|-------|-------------|-------|
|     | MIN       | MAX   | MIN         | MAX   |
| A   | 0.715     | 0.770 | 18.16       | 18.80 |
| B   | 0.240     | 0.260 | 6.10        | 6.60  |
| C   | 0.145     | 0.185 | 3.69        | 4.69  |
| D   | 0.015     | 0.021 | 0.38        | 0.53  |
| F   | 0.040     | 0.070 | 1.02        | 1.78  |
| G   | 0.100 BSC |       | 2.54 BSC    |       |
| H   | 0.052     | 0.095 | 1.32        | 2.41  |
| J   | 0.008     | 0.015 | 0.20        | 0.38  |
| K   | 0.115     | 0.135 | 2.92        | 3.43  |
| L   | 0.290     | 0.310 | 7.37        | 7.87  |
| M   | ---       | 10°   | ---         | 10°   |
| N   | 0.015     | 0.039 | 0.38        | 1.01  |

### D SUFFIX PLASTIC SOIC PACKAGE CASE 751A-03 ISSUE F



NOTES:

1. DIMENSIONING AND TOLERANCING PER ANSI Y14.5M, 1982.
2. CONTROLLING DIMENSION: MILLIMETER.
3. DIMENSIONS A AND B DO NOT INCLUDE MOLD PROTRUSION.
4. MAXIMUM MOLD PROTRUSION 0.15 (0.006) PER SIDE.
5. DIMENSION D DOES NOT INCLUDE DAMBAR PROTRUSION. ALLOWABLE DAMBAR PROTRUSION SHALL BE 0.127 (0.005) TOTAL IN EXCESS OF THE D DIMENSION AT MAXIMUM MATERIAL CONDITION.

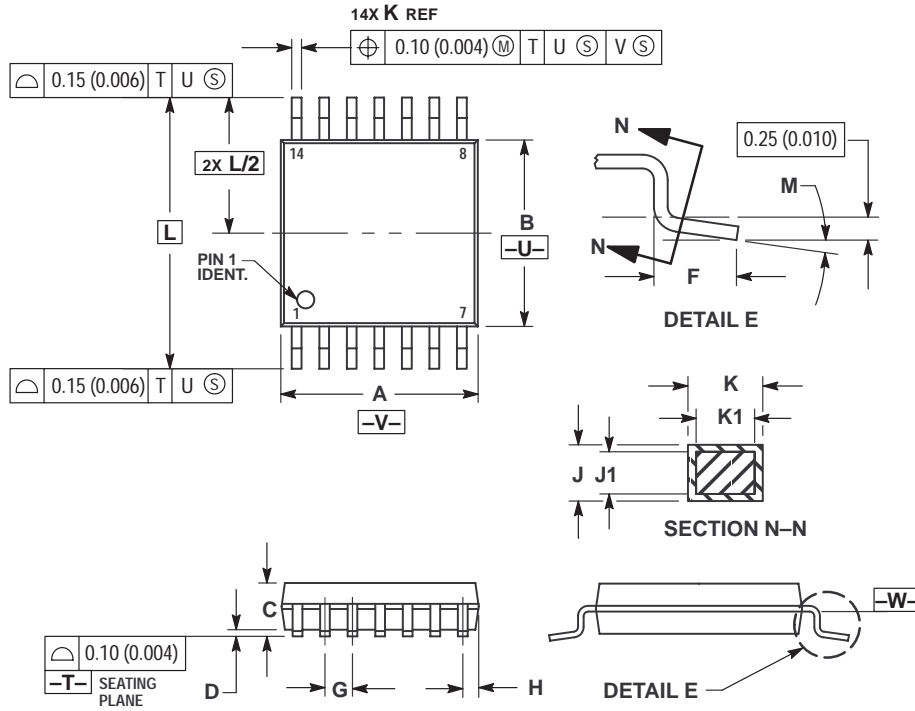
| DIM | MILLIMETERS |      | INCHES    |       |
|-----|-------------|------|-----------|-------|
|     | MIN         | MAX  | MIN       | MAX   |
| A   | 8.55        | 8.75 | 0.337     | 0.344 |
| B   | 3.80        | 4.00 | 0.150     | 0.157 |
| C   | 1.35        | 1.75 | 0.054     | 0.068 |
| D   | 0.35        | 0.49 | 0.014     | 0.019 |
| F   | 0.40        | 1.25 | 0.016     | 0.049 |
| G   | 1.27 BSC    |      | 0.050 BSC |       |
| J   | 0.19        | 0.25 | 0.008     | 0.009 |
| K   | 0.10        | 0.25 | 0.004     | 0.009 |
| M   | 0°          | 7°   | 0°        | 7°    |
| P   | 5.80        | 6.20 | 0.228     | 0.244 |
| R   | 0.25        | 0.50 | 0.010     | 0.019 |

# MC14541B

查询"MC14541"供应商

## PACKAGE DIMENSIONS

DT SUFFIX  
PLASTIC TSSOP PACKAGE  
CASE 948G-01  
ISSUE O



### NOTES:

1. DIMENSIONING AND TOLERANCING PER ANSI Y14.5M, 1982.
2. CONTROLLING DIMENSION: MILLIMETER.
3. DIMENSION A DOES NOT INCLUDE MOLD FLASH, PROTRUSIONS OR GATE BURRS. MOLD FLASH OR GATE BURRS SHALL NOT EXCEED 0.15 (0.006) PER SIDE.
4. DIMENSION B DOES NOT INCLUDE INTERLEAD FLASH OR PROTRUSION. INTERLEAD FLASH OR PROTRUSION SHALL NOT EXCEED 0.25 (0.010) PER SIDE.
5. DIMENSION K DOES NOT INCLUDE DAMBAR PROTRUSION. ALLOWABLE DAMBAR PROTRUSION SHALL BE 0.08 (0.003) TOTAL IN EXCESS OF THE K DIMENSION AT MAXIMUM MATERIAL CONDITION.
6. TERMINAL NUMBERS ARE SHOWN FOR REFERENCE ONLY.
7. DIMENSION A AND B ARE TO BE DETERMINED AT DATUM PLANE -W-

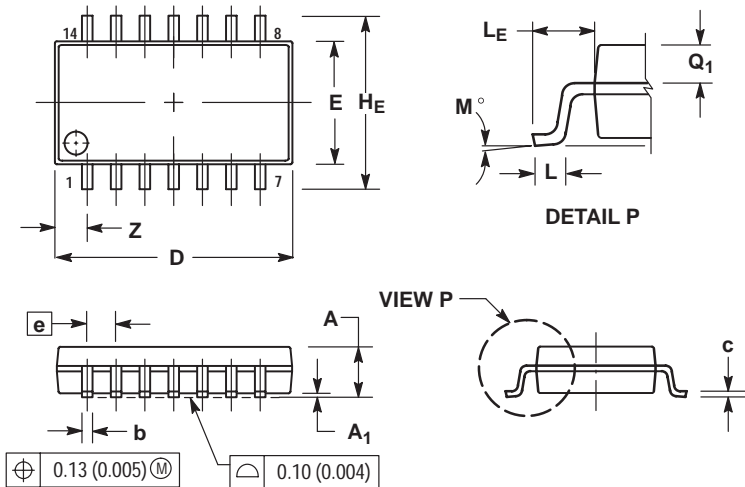
| DIM | MILLIMETERS |      | INCHES    |       |
|-----|-------------|------|-----------|-------|
|     | MIN         | MAX  | MIN       | MAX   |
| A   | 4.90        | 5.10 | 0.193     | 0.200 |
| B   | 4.30        | 4.50 | 0.169     | 0.177 |
| C   | ---         | 1.20 | ---       | 0.047 |
| D   | 0.05        | 0.15 | 0.002     | 0.006 |
| F   | 0.50        | 0.75 | 0.020     | 0.030 |
| G   | 0.65 BSC    |      | 0.026 BSC |       |
| H   | 0.50        | 0.60 | 0.020     | 0.024 |
| J   | 0.09        | 0.20 | 0.004     | 0.008 |
| J1  | 0.09        | 0.16 | 0.004     | 0.006 |
| K   | 0.19        | 0.30 | 0.007     | 0.012 |
| K1  | 0.19        | 0.25 | 0.007     | 0.010 |
| L   | 6.40 BSC    |      | 0.252 BSC |       |
| M   | 0°          | 8°   | 0°        | 8°    |

# MC14541B

[查询"MC14541"供应商](#)

## PACKAGE DIMENSIONS

### F SUFFIX PLASTIC EIAJ SOIC PACKAGE CASE 965-01 ISSUE O



#### NOTES:

1. DIMENSIONING AND TOLERANCING PER ANSI Y14.5M, 1982.
2. CONTROLLING DIMENSION: MILLIMETER.
3. DIMENSIONS D AND E DO NOT INCLUDE MOLD FLASH OR PROTRUSIONS AND ARE MEASURED AT THE PARTING LINE. MOLD FLASH OR PROTRUSIONS SHALL NOT EXCEED 0.15 (0.006) PER SIDE.
4. TERMINAL NUMBERS ARE SHOWN FOR REFERENCE ONLY.
5. THE LEAD WIDTH DIMENSION (b) DOES NOT INCLUDE DAMBAR PROTRUSION. ALLOWABLE DAMBAR PROTRUSION SHALL BE 0.08 (0.003) TOTAL IN EXCESS OF THE LEAD WIDTH DIMENSION AT MAXIMUM MATERIAL CONDITION. DAMBAR CANNOT BE LOCATED ON THE LOWER RADIUS OR THE FOOT. MINIMUM SPACE BETWEEN PROTRUSIONS AND ADJACENT LEAD TO BE 0.46 (0.018).

| DIM            | MILLIMETERS |       | INCHES    |       |
|----------------|-------------|-------|-----------|-------|
|                | MIN         | MAX   | MIN       | MAX   |
| A              | —           | 2.05  | —         | 0.081 |
| A <sub>1</sub> | 0.05        | 0.20  | 0.002     | 0.008 |
| b              | 0.35        | 0.50  | 0.014     | 0.020 |
| c              | 0.18        | 0.27  | 0.007     | 0.011 |
| D              | 9.90        | 10.50 | 0.390     | 0.413 |
| E              | 5.10        | 5.45  | 0.201     | 0.215 |
| e              | 1.27 BSC    |       | 0.050 BSC |       |
| HE             | 7.40        | 8.20  | 0.291     | 0.323 |
| 0.50           | 0.50        | 0.85  | 0.020     | 0.033 |
| LE             | 1.10        | 1.50  | 0.043     | 0.059 |
| M              | 0°          | 10°   | 0°        | 10°   |
| Q <sub>1</sub> | 0.70        | 0.90  | 0.028     | 0.035 |
| Z              | —           | 1.42  | —         | 0.056 |

ON Semiconductor and are trademarks of Semiconductor Components Industries, LLC (SCILLC). SCILLC reserves the right to make changes without further notice to any products herein. SCILLC makes no warranty, representation or guarantee regarding the suitability of its products for any particular purpose, nor does SCILLC assume any liability arising out of the application or use of any product or circuit, and specifically disclaims any and all liability, including without limitation special, consequential or incidental damages. "Typical" parameters which may be provided in SCILLC data sheets and/or specifications can and do vary in different applications and actual performance may vary over time. All operating parameters, including "Typicals" must be validated for each customer application by customer's technical experts. SCILLC does not convey any license under its patent rights nor the rights of others. SCILLC products are not designed, intended, or authorized for use as components in systems intended for surgical implant into the body, or other applications intended to support or sustain life, or for any other application in which the failure of the SCILLC product could create a situation where personal injury or death may occur. Should Buyer purchase or use SCILLC products for any such unintended or unauthorized application, Buyer shall indemnify and hold SCILLC and its officers, employees, subsidiaries, affiliates, and distributors harmless against all claims, costs, damages, and expenses, and reasonable attorney fees arising out of, directly or indirectly, any claim of personal injury or death associated with such unintended or unauthorized use, even if such claim alleges that SCILLC was negligent regarding the design or manufacture of the part. SCILLC is an Equal Opportunity/Affirmative Action Employer.

## PUBLICATION ORDERING INFORMATION

### NORTH AMERICA Literature Fulfillment:

Literature Distribution Center for ON Semiconductor  
P.O. Box 5163, Denver, Colorado 80217 USA  
Phone: 303-675-2175 or 800-344-3860 Toll Free USA/Canada  
Fax: 303-675-2176 or 800-344-3867 Toll Free USA/Canada  
Email: ONlit@hibbertco.com  
Fax Response Line: 303-675-2167 or 800-344-3810 Toll Free USA/Canada

N. American Technical Support: 800-282-9855 Toll Free USA/Canada

EUROPE: LDC for ON Semiconductor – European Support

German Phone: (+1) 303-308-7140 (M-F 1:00pm to 5:00pm Munich Time)  
Email: ONlit-german@hibbertco.com  
French Phone: (+1) 303-308-7141 (M-F 1:00pm to 5:00pm Toulouse Time)  
Email: ONlit-french@hibbertco.com  
English Phone: (+1) 303-308-7142 (M-F 12:00pm to 5:00pm UK Time)  
Email: ONlit@hibbertco.com

EUROPEAN TOLL-FREE ACCESS\*: 00-800-4422-3781

\*Available from Germany, France, Italy, England, Ireland

### CENTRAL/SOUTH AMERICA:

Spanish Phone: 303-308-7143 (Mon-Fri 8:00am to 5:00pm MST)  
Email: ONlit-spanish@hibbertco.com

ASIA/PACIFIC: LDC for ON Semiconductor – Asia Support

Phone: 303-675-2121 (Tue-Fri 9:00am to 1:00pm, Hong Kong Time)  
Toll Free from Hong Kong & Singapore:  
001-800-4422-3781  
Email: ONlit-asia@hibbertco.com

JAPAN: ON Semiconductor, Japan Customer Focus Center

4-32-1 Nishi-Gotanda, Shinagawa-ku, Tokyo, Japan 141-8549  
Phone: 81-3-5740-2745  
Email: r14525@onsemi.com

ON Semiconductor Website: <http://onsemi.com>

For additional information, please contact your local Sales Representative.