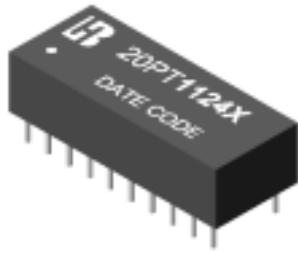




查询"20PT1124X"供应商

P/N:20PT1124X DATA SHEET

Feature



- Compliant with IEEE 802.3u and ANSI X3.263 standards including 350uH OCL with 8mA Bias.
- Symmetrical TX and RX channels for Auto MDI/MDIX capability.
- Operating temperature range : 0°C to +70°C.
- Storage temperature range: -25°C to +105°C.

Electrical Specifications @ 25°C

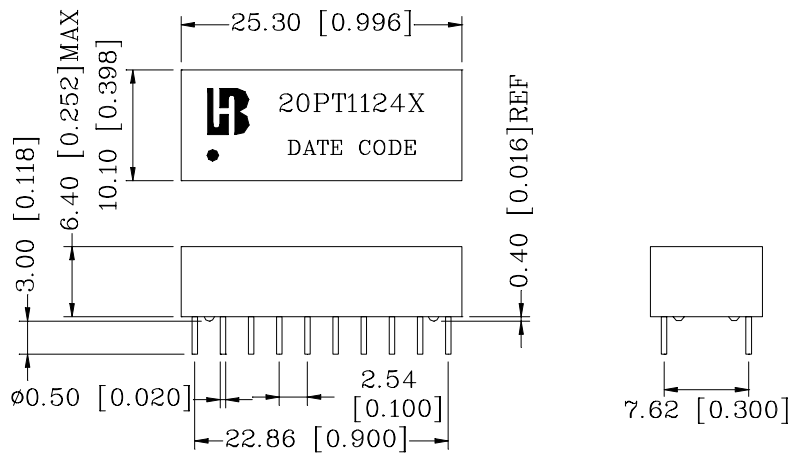
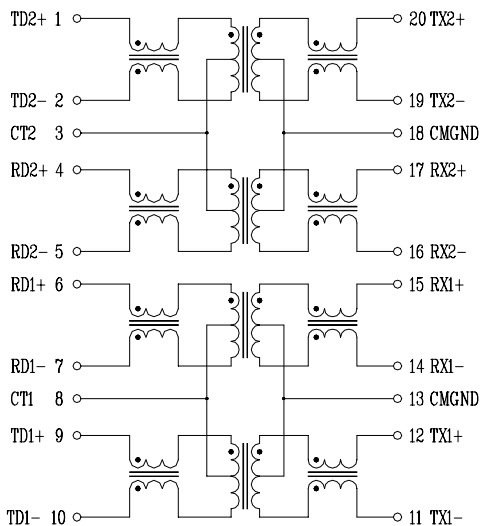
Part Number	Turns Ratio (±5%)		OCL(μH Min) @100KHz/0.1V with 8mA DC/Bias	C _{WW} (pF Max)	Insulation Resistance (MΩ) @ 50V _{DC}	DCR (Ω Max) TX/RX	HI-POT (Vrms)
	TX	RX					
20PT1124X	1CT:1CT	1CT:1CT	350	50	10,000	0.9	1500

Continue

Part Number	Insertion Loss (dB Max)	Return Loss (dB Min)			Cross talk (dB Min)		DCMR (dB Min)		
		0.3-100MHz	0.3-30MHz	30-60MHz	60-80MHz	0.3-60MHz	60-100MHz	30MHz	60MHz
20PT1124X	-1.1	-18	-14	-12	-45	-35	-40	-35	-30

Schematic

Mechanical



Units: mm [Inches] Tolerance: xx.x0±0.25 [0.010]
0.xx±0.05 [0.002]