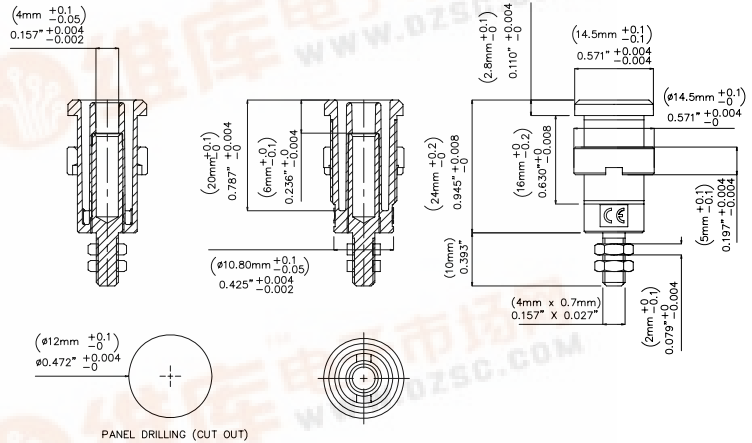


Models 72930
Panel Mt IEC1010 4mm (0.16in) jack for Sheathed Plugs



Features

- Panel Mt IEC1010 4mm (0.16in) jack for sheathed banana plugs, threaded stud.
- Hexagonal nut

Materials

- Body: Polyamide.
- Nut: Nickel plated
- Stud: Nickel brass.
- Hex nuts: Nickel Plated brass

Ordering Information

Model: 72930- Color sold in packages of 10 pieces.
Available colors: Black (-0), Brown (-1), Red (-2)
Yellow (-4), Green (-5), Blue (-6), Violet (-7), Grey (-8),
White (-9)

Specifications

Max Current	36A
Max Voltage	1000 V CAT III

M4 x 0.7 nut: Screwing torque nuts 30Ncm Max.

USA: Sales: 800-490-2361 Technical Support: 800-241-2060 Fax: 888-403-3360

Europe: 31-(0) 40 2675 150 International: 425-446-5500

e-mail: technicalsupport@pomonatest.com

Where to Buy: www.pomonaelectronics.com

All dimensions are in inches. Tolerances (except noted): .xx = ± 0.02 " (.51 mm), .xxx = ± 0.005 " (.127 mm). All specifications are to the latest revisions. Specifications are subject to change without notice. Registered trademarks are the property of their respective companies.

