

查询"3683S-1-102"供应商



BOURNS®

Features

- Repeatability settings
- Resolution to 0.001%
- Digital display provides excellent readability
- Snap-in panel mount

3680 - Precision Potentiometer

Electrical Characteristics¹

Standard Resistance Range50 ohms to 1 megohm
 Resistance Tolerance.....±3%
 Absolute Minimum Resistance3 ohms or 0.2% maximum (whichever is greater)
 Resolution
 3682.....1%
 3683.....0.1%
 Insulation Resistance (500 VDC)1,000 megohms minimum
 Power Rating
 (Voltage Limited By Power Dissipation or 500 VAC, Whichever is Less)
 +25°C2 watts
 +85°C0 watt
 Dielectric Withstanding VoltageMIL-STD-202, Method 301
 Sea Level.....1,000 VAC minimum
 Accuracy (Dial Reading to Output Ratio).....±0.5% full scale

Environmental Characteristics¹

Operating Temperature Range-25°C to +85°C
 Temperature Coefficient±100ppm/°C maximum
 Vibration.....10G
 Wiper Bounce0.1 millisecond maximum
 Total Resistance Shift.....±1% maximum
 Voltage Ratio Shift.....±0.2% maximum
 Shock.....50G
 Wiper Bounce0.1 millisecond maximum
 Total Resistance Shift.....±1% maximum
 Voltage Ratio Shift.....±0.2% maximum
 Load Life.....1,000 hours, 2 watts
 Total Resistance Shift.....±2% maximum

Mechanical Characteristics¹

Expected Life75,000 button operations each decade
 Total Resistance Shift.....±2% maximum
 Terminals.....0.11 in. (2.79mm) wide x .016 in. (.41mm) thick,
 tinned solder lugs for 3 #20 AWG wires
 Readout Marking10 positions, 0-9
 MarkingsManufacturer's name and part number, resistance value and date code

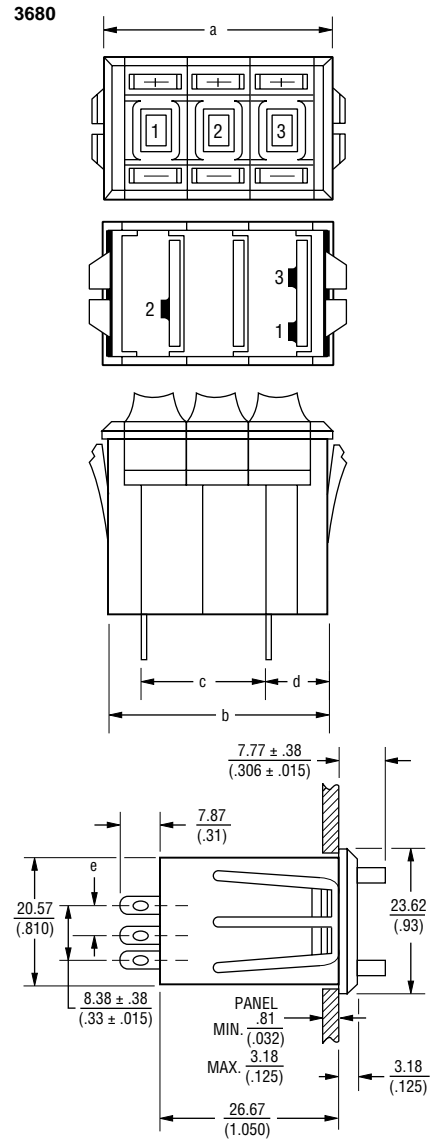
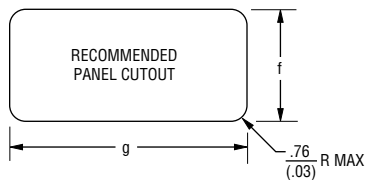
¹At room ambient: +25°C nominal and 50% relative humidity nominal, except as noted.
 NOTE: Terminals 1 & 3 are reversed from illustration for models 3682 and 3684.

Model	Dimensions					Weight (Approx.)	
	a	b	c	d	e ±.015 (±.381)	oz.	gms.
3682	26.67 (1.050)	25.15 (.990)	10.67 (.420)	11.94 (.47)	8.38 (.330)	.576	16.5
3683	37.08 (1.460)	35.31 (1.390)	18.54 (.730)	11.94 (.47)	4.19 (.165)	.824	23.5

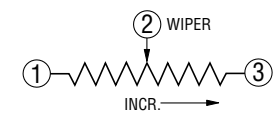
Model	Dimensions	
	f ±.010 (±.254)	g ±.010 (±.254)
3682	21.08 (.830)	25.91 (1.020)
3683	21.08 (.830)	36.07 (1.420)

Recommended Part Numbers

Resistance (Ω)	3682S-1 2 Decade	3683S-1 3 Decade
1,000	-102	-102
5,000	-502	-502
10K	-103	-103
50K	-503	-503
100K	-104	-104



TOLERANCES: EXCEPT WHERE NOTED
 DECIMALS: .XX ± .38 (0.015) .XXX ± .13 (0.005)
 FRACTIONS: ±1/64
 DIMENSIONS: MM (IN.)



BOLD-FACE LISTINGS ARE IN STOCK AND READILY AVAILABLE THROUGH DISTRIBUTION.
 FOR OTHER OPTIONS CONSULT FACTORY.