

SN54AS867, SN54AS869 SN74ALS867A, SN74ALS869, SN74AS867, SN74AS869 SYNCHRONOUS 8-BIT UP/DOWN COUNTERS

SDAS115C – DECEMBER 1982 – REVISED JANUARY 1995

查询"5962-8952601KA"供应商

- Fully Programmable With Synchronous Counting and Loading
- SN74ALS867A and 'AS867 Have Asynchronous Clear; SN74ALS869 and 'AS869 Have Synchronous Clear
- Fully Independent Clock Circuit Simplifies Use
- Ripple-Carry Output for n-Bit Cascading
- Package Options Include Plastic Small-Outline (DW) Packages, Ceramic Chip Carriers (FK), and Standard Plastic (NT) and Ceramic (JT) 300-mil DIPs

description

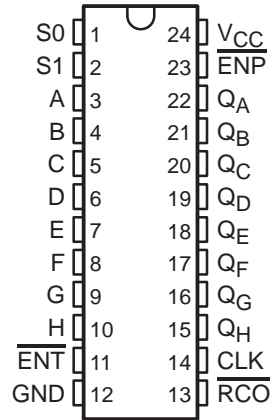
These synchronous, presettable, 8-bit up/down counters feature internal-carry look-ahead circuitry for cascading in high-speed counting applications. Synchronous operation is provided by having all flip-flops clocked simultaneously so that the outputs change coincidentally with each other when so instructed by the count-enable ($\overline{\text{ENP}}$, $\overline{\text{ENT}}$) inputs and internal gating. This mode of operation eliminates the output counting spikes normally associated with asynchronous (ripple-clock) counters. A buffered clock (CLK) input triggers the eight flip-flops on the rising (positive-going) edge of the clock waveform.

These counters are fully programmable; they may be preset to any number between 0 and 255. The load-input circuitry allows parallel loading of the cascaded counters. Because loading is synchronous, selecting the load mode disables the counter and causes the outputs to agree with the data inputs after the next clock pulse.

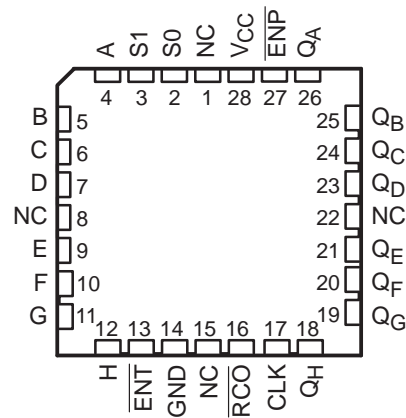
The carry look-ahead circuitry provides for cascading counters for n-bit synchronous applications without additional gating. Two count-enable ($\overline{\text{ENP}}$ and $\overline{\text{ENT}}$) inputs and a ripple-carry ($\overline{\text{RCO}}$) output are instrumental in accomplishing this function. Both $\overline{\text{ENP}}$ and $\overline{\text{ENT}}$ must be low to count. The direction of the count is determined by the levels of the select (S0, S1) inputs as shown in the function table. $\overline{\text{ENT}}$ is fed forward to enable $\overline{\text{RCO}}$. $\overline{\text{RCO}}$ thus enabled produces a low-level pulse while the count is zero (all outputs low) counting down or 255 counting up (all outputs high). This low-level overflow-carry pulse can be used to enable successive cascaded stages. Transitions at $\overline{\text{ENP}}$ and $\overline{\text{ENT}}$ are allowed regardless of the level of CLK. All inputs are diode clamped to minimize transmission-line effects, thereby simplifying system design.

These counters feature a fully independent clock circuit. With the exception of the asynchronous clear on the SN74ALS867A and 'AS867, changes at S0 and S1 that modify the operating mode have no effect on the Q outputs until clocking occurs. For the 'AS867 and 'AS869, any time $\overline{\text{ENP}}$ and/or $\overline{\text{ENT}}$ is taken high, $\overline{\text{RCO}}$ either goes or remains high. For the SN74ALS867A and SN74ALS869, any time $\overline{\text{ENT}}$ is taken high, $\overline{\text{RCO}}$ either goes or remains high. The function of the counter (whether enabled, disabled, loading, or counting) is dictated solely by the conditions meeting the stable setup and hold times.

SN54AS867, SN54AS869 . . . JT PACKAGE
SN74ALS867A, SN74ALS869, SN74AS867,
SN74AS869 . . . DW OR NT PACKAGE
(TOP VIEW)



SN54AS867, SN54AS869 . . . FK PACKAGE
(TOP VIEW)



NC – No internal connection

SN54AS867, SN54AS869

SN74ALS867A, SN74ALS869, SN74AS867, SN74AS869

SYNCHRONOUS 8-BIT UP/DOWN COUNTERS

查看"5962-89250-1KA"供应商 DATE: 1995 JANUARY 1995

description (continued)

The SN54AS867 and SN54AS869 are characterized for operation over the full military temperature range of -55°C to 125°C . The SN74ALS867A, SN74ALS869, SN74AS867, and SN74AS869 are characterized for operation from 0°C to 70°C .

FUNCTION TABLE

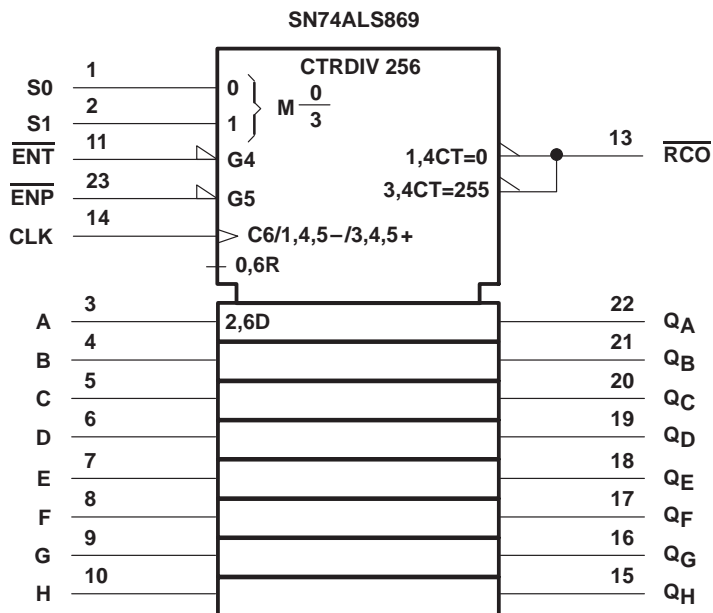
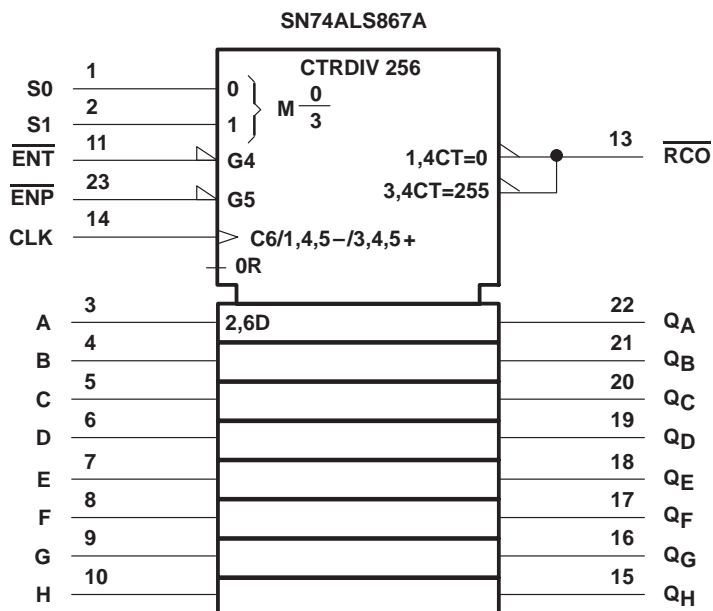
S1	S0	FUNCTION
L	L	Clear
L	H	Count down
H	L	Load
H	H	Count up

SN54AS867, SN54AS869
 SN74ALS867A, SN74ALS869, SN74AS867, SN74AS869
 SYNCHRONOUS 8-BIT UP/DOWN COUNTERS

SDAS115C - DECEMBER 1982 - REVISED JANUARY 1995

[查询"5962-8952601KA"供应商](#)

logic symbols†

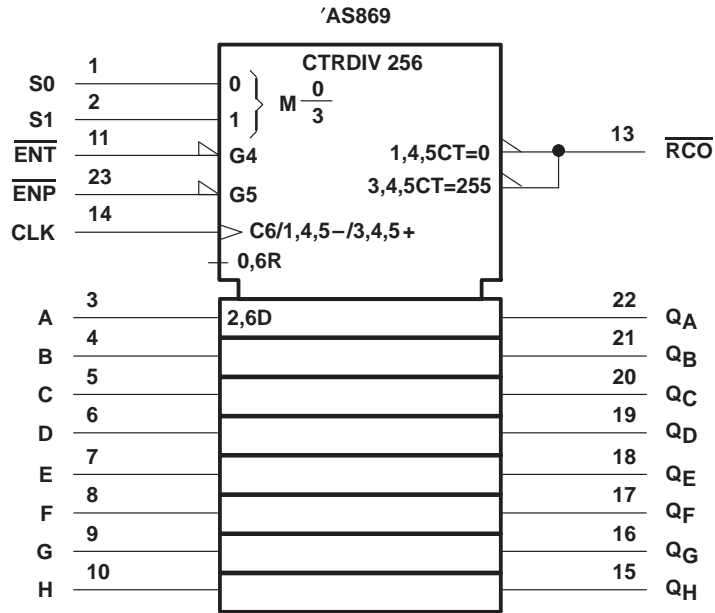
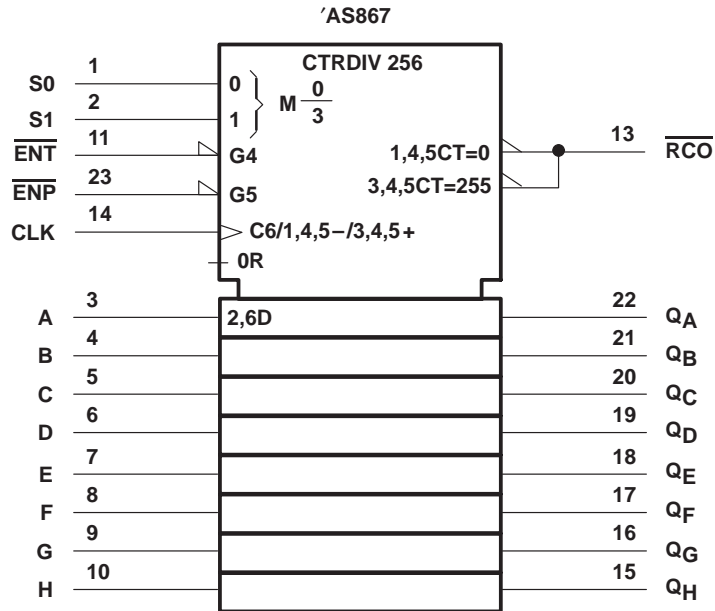


† These symbols are in accordance with ANSI/IEEE Std 91-1984 and IEC Publication 617-12.
 Pin numbers shown are for the DW, JT, and NT packages.

SN54AS867, SN54AS869
 SN74ALS867A, SN74ALS869, SN74AS867, SN74AS869
 SYNCHRONOUS 8-BIT UP/DOWN COUNTERS

查商 5962-89250-1KA 供应商
 1995年1月

logic symbols (continued)†



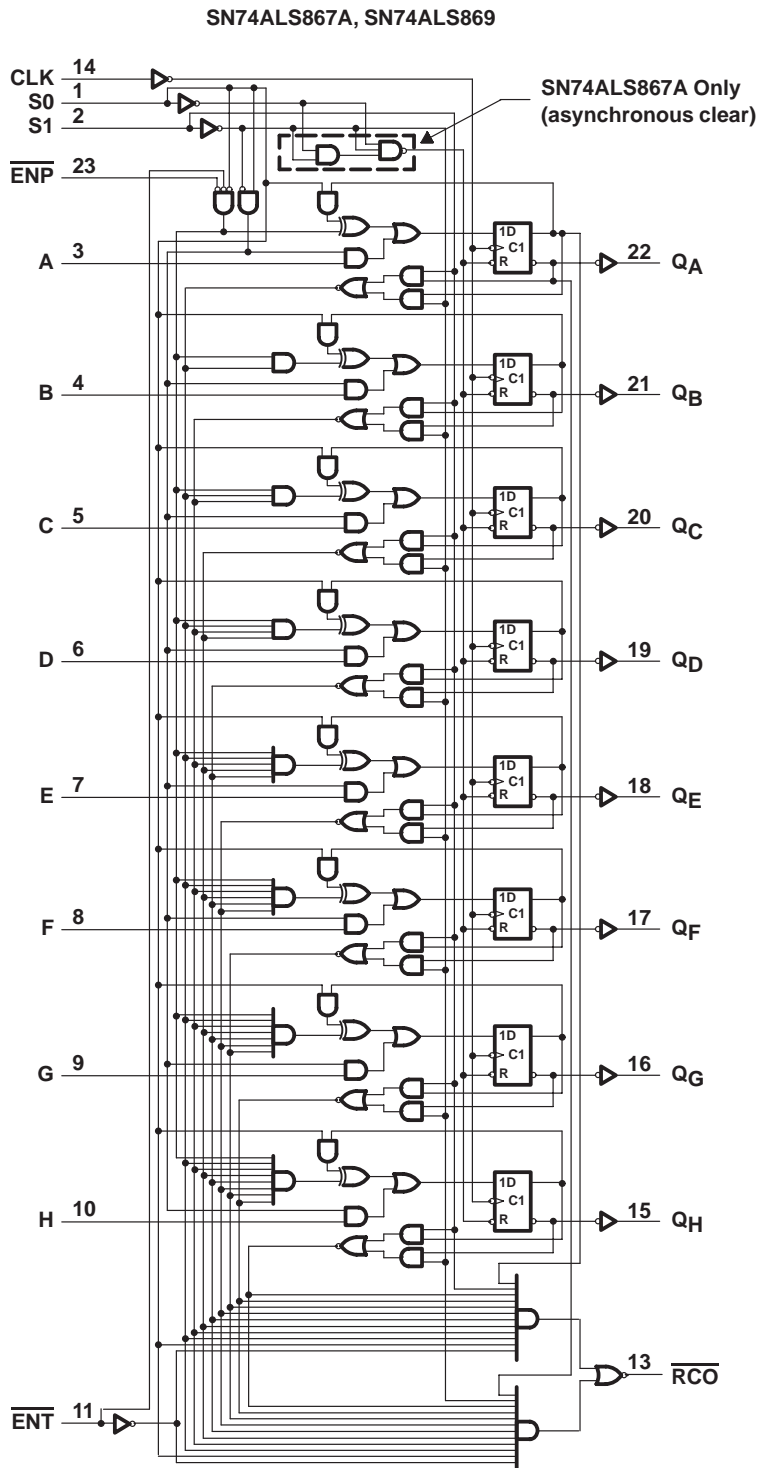
† These symbols are in accordance with ANSI/IEEE Std 91-1984 and IEC Publication 617-12.
 Pin numbers shown are for the DW, JT, and NT packages.

SN54AS867, SN54ALS867
 SN74ALS867A, SN74ALS869, SN74AS867, SN74AS869
 SYNCHRONOUS 8-BIT UP/DOWN COUNTERS

SDAS115C - DECEMBER 1982 - REVISED JANUARY 1995

[查询"5962-8952601KA"供应商](#)

logic diagram (positive logic)



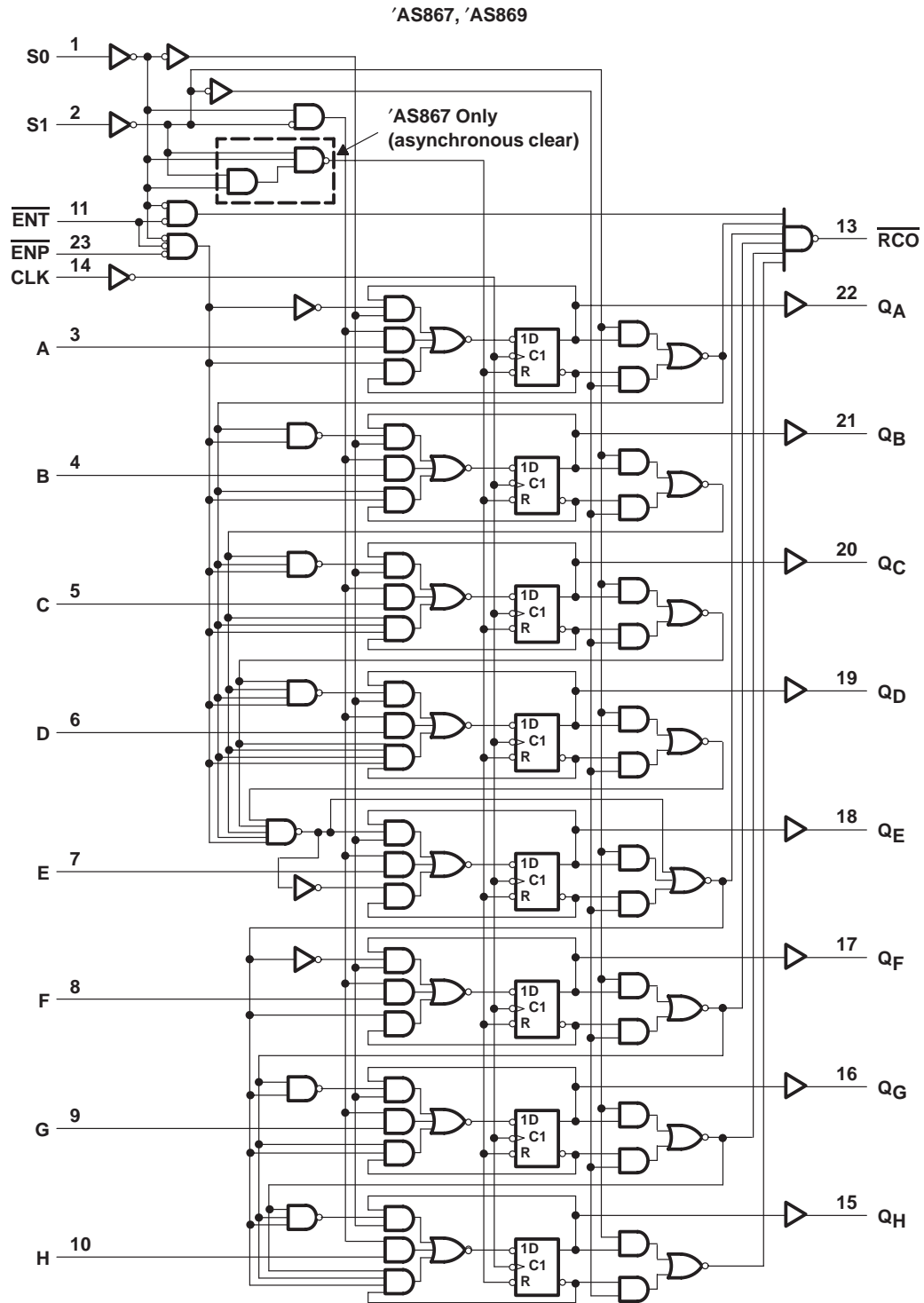
Pin numbers shown are for the DW, JT, and NT packages.



SN54AS867, SN54AS869
 SN74ALS867A, SN74ALS869, SN74AS867, SN74AS869
 SYNCHRONOUS 8-BIT UP/DOWN COUNTERS

查号: 5962-892501KA 供应商: 德州仪器
 1995年1月

logic diagram (positive logic)



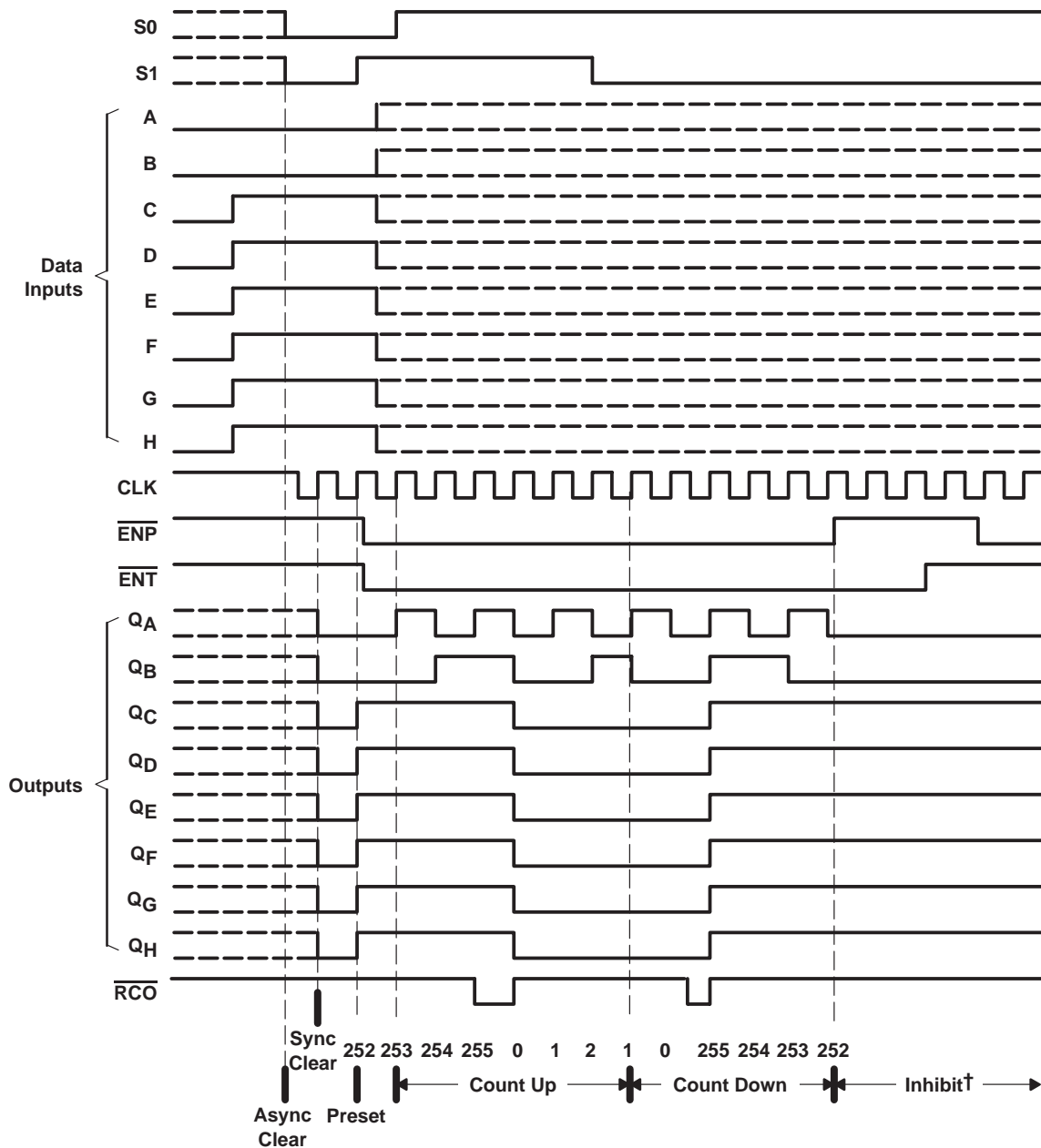
Pin numbers shown are for the DW, JT, and NT packages.



typical clear, preset, count, and inhibit sequences

The following sequence is illustrated below:

1. Clear outputs to zero (SN74ALS867A and 'AS867 are asynchronous;
 SN74ALS869 and 'AS869 are synchronous.)
2. Preset to binary 252
3. Count up to 253, 254, 255, 0, 1, and 2
4. Count down to 1, 0, 255, 254, 253, and 252
5. Inhibit



SN54AS867, SN54AS869
 SN74ALS867A, SN74ALS869, SN74AS867, SN74AS869
 SYNCHRONOUS 8-BIT UP/DOWN COUNTERS

查納 5962-89250-1K2 供應商 1995

absolute maximum ratings over operating free-air temperature range (unless otherwise noted)†

Supply voltage, V_{CC}	7 V
Input voltage, V_I	7 V
Operating free-air temperature range, T_A : SN74ALS867A	0°C to 70°C
Storage temperature range	-65°C to 150°C

† Stresses beyond those listed under “absolute maximum ratings” may cause permanent damage to the device. These are stress ratings only, and functional operation of the device at these or any other conditions beyond those indicated under “recommended operating conditions” is not implied. Exposure to absolute-maximum-rated conditions for extended periods may affect device reliability.

recommended operating conditions

		SN74ALS867A			UNIT
		MIN	NOM	MAX	
V_{CC}	Supply voltage	4.5	5	5.5	V
V_{IH}	High-level input voltage	2			V
V_{IL}	Low-level input voltage			0.8	V
I_{OH}	High-level output current			-0.4	mA
I_{OL}	Low-level output current			8	mA
f_{clock}	Clock frequency	0		35	MHz
$t_{w(clock)}$	Pulse duration, CLK high or low	14			ns
$t_{w(clear)}$	Pulse duration of clear pulse, S0 and S1 low	10			ns
t_{su}	Setup time before CLK↑	Data inputs A–H	10		ns
		\overline{ENP} or \overline{ENT}	15		
		S0 low and S1 high (load)	12		
		S0 high and S1 low (count down)	12		
		S0 and S1 high (count up)	12		
t_h	Hold time after CLK↑	S0 high after S1↑ or S1 high after S0↑	3		ns
		Data inputs A–H	0		
T_A	Operating free-air temperature	0		70	°C

electrical characteristics over recommended operating free-air temperature range (unless otherwise noted)

PARAMETER	TEST CONDITIONS	SN74ALS867A			UNIT
		MIN	TYP‡	MAX	
V_{IK}	$V_{CC} = 4.5 V$, $I_I = -18 mA$			-1.2	V
V_{OH}	$V_{CC} = 4.5 V$ to $5.5 V$, $I_{OH} = -0.4 mA$	$V_{CC} - 2$			V
V_{OL}	$V_{CC} = 4.5 V$	$I_{OL} = 4 mA$	0.25	0.4	V
		$I_{OL} = 8 mA$	0.35	0.5	
I_I	$V_{CC} = 5.5 V$, $V_I = 7 V$			0.1	mA
I_{IH}	$V_{CC} = 5.5 V$, $V_I = 2.7 V$			20	μA
I_{IL}	$V_{CC} = 5.5 V$, $V_I = 0.4 V$			-0.2	mA
$I_{O§}$	$V_{CC} = 5.5 V$, $V_O = 2.25 V$	-30		-112	mA
I_{CC}	$V_{CC} = 5.5 V$		28	45	mA

‡ All typical values are at $V_{CC} = 5 V$, $T_A = 25^\circ C$.

§ The output conditions have been chosen to produce a current that closely approximates one half of the true short-circuit output current, I_{OS} .



SN54AS867, SN54AS869
 SN74ALS867A, SN74ALS869, SN74AS867, SN74AS869
 SYNCHRONOUS 8-BIT UP/DOWN COUNTERS

SDAS115C – DECEMBER 1982 – REVISED JANUARY 1995

[查询"5962-8952601KA"供应商](#)

switching characteristics (see Figure 1)

PARAMETER	FROM (INPUT)	TO (OUTPUT)	V _{CC} = 4.5 V to 5.5 V, C _L = 50 pF, R _L = 500 Ω, T _A = MIN to MAX†		UNIT
			SN74ALS867A		
			MIN	MAX	
f _{max}			35		MHz
t _{PLH}	CLK	\overline{RCO}	4	14	ns
t _{PHL}			4	14	
t _{PLH}	CLK	Any Q	3	16	ns
t _{PHL}			3	16	
t _{PLH}	\overline{ENT}	\overline{RCO}	3	14	ns
t _{PHL}			2	9	
t _{PHL}	S0 or S1 (clear mode)	Any Q	8	26	ns
t _{PLH}	S0 or S1 (count up/down)	\overline{RCO}	4	16	ns
t _{PHL}			4	16	
t _{PLH}	S0 or S1 (clear mode)	\overline{RCO}	4	16	ns

† For conditions shown as MIN or MAX, use the appropriate value specified under recommended operating conditions.

SN54AS867, SN54AS869
 SN74ALS867A, SN74ALS869, SN74AS867, SN74AS869
 SYNCHRONOUS 8-BIT UP/DOWN COUNTERS

查納 5962-893201K2 供應商 1995

absolute maximum ratings over operating free-air temperature range (unless otherwise noted)†

Supply voltage, V_{CC}	7 V
Input voltage, V_I	7 V
Operating free-air temperature range, T_A : SN74ALS869	0°C to 70°C
Storage temperature range	-65°C to 150°C

† Stresses beyond those listed under “absolute maximum ratings” may cause permanent damage to the device. These are stress ratings only, and functional operation of the device at these or any other conditions beyond those indicated under “recommended operating conditions” is not implied. Exposure to absolute-maximum-rated conditions for extended periods may affect device reliability.

recommended operating conditions

		SN74ALS869			UNIT
		MIN	NOM	MAX	
V_{CC}	Supply voltage	4.5	5	5.5	V
V_{IH}	High-level input voltage	2			V
V_{IL}	Low-level input voltage			0.8	V
I_{OH}	High-level output current			-0.4	mA
I_{OL}	Low-level output current			8	mA
f_{clock}	Clock frequency	0		35	MHz
$t_{w(clock)}$	Pulse duration, CLK high or low	14			ns
t_{su}	Setup time before CLK↑	Data inputs A–H	10		ns
		\overline{ENP} or \overline{ENT}	15		
		S0 and S1 low (clear)	13		
		S0 low and S1 high (load)	13		
		S0 high and S1 low (count down)	13		
		S0 and S1 high (count up)	13		
t_h	Hold time after CLK↑	S0 high after S1↑ or S1 high after S0↑	3		ns
		Data inputs A–H	0		
T_A	Operating free-air temperature	0		70	°C

electrical characteristics over recommended operating free-air temperature range (unless otherwise noted)

PARAMETER	TEST CONDITIONS	SN74ALS869			UNIT
		MIN	TYP‡	MAX	
V_{IK}	$V_{CC} = 4.5 V$, $I_I = -18 mA$			-1.2	V
V_{OH}	$V_{CC} = 4.5 V$ to $5.5 V$, $I_{OH} = -0.4 mA$	$V_{CC} - 2$			V
V_{OL}	$V_{CC} = 4.5 V$	$I_{OL} = 4 mA$	0.25	0.4	V
		$I_{OL} = 8 mA$	0.35	0.5	
I_I	$V_{CC} = 5.5 V$, $V_I = 7 V$			0.1	mA
I_{IH}	$V_{CC} = 5.5 V$, $V_I = 2.7 V$			20	μA
I_{IL}	$V_{CC} = 5.5 V$, $V_I = 0.4 V$			-0.2	mA
$I_{O§}$	$V_{CC} = 5.5 V$, $V_O = 2.25 V$	-30		-112	mA
I_{CC}	$V_{CC} = 5.5 V$		28	45	mA

‡ All typical values are at $V_{CC} = 5 V$, $T_A = 25^\circ C$.

§ The output conditions have been chosen to produce a current that closely approximates one half of the true short-circuit output current, I_{OS} .



SN54AS867, SN54AS869
 SN74ALS867A, SN74ALS869, SN74AS867, SN74AS869
 SYNCHRONOUS 8-BIT UP/DOWN COUNTERS

SDAS115C – DECEMBER 1982 – REVISED JANUARY 1995

[查询"5962-8952601KA"供应商](#)

switching characteristics (see Figure 1)

PARAMETER	FROM (INPUT)	TO (OUTPUT)	V _{CC} = 4.5 V to 5.5 V, C _L = 50 pF, R _L = 500 Ω, T _A = MIN to MAX†		UNIT
			SN74ALS869		
			MIN	MAX	
f _{max}			35		MHz
t _{PLH}	CLK	\overline{RCO}	4	14	ns
t _{PHL}			4	14	
t _{PLH}	CLK	Any Q	3	16	ns
t _{PHL}			3	16	
t _{PLH}	\overline{ENT}	\overline{RCO}	3	14	ns
t _{PHL}			2	9	
t _{PLH}	S1 (count up/down)	\overline{RCO}	4	15	ns
t _{PHL}			4	15	
t _{PLH}	S0 (clear/load)	\overline{RCO}	4	16	ns
t _{PHL}			4	12	

† For conditions shown as MIN or MAX, use the appropriate value specified under recommended operating conditions.

**SN54AS867, SN54AS869
SN74ALS867A, SN74ALS869, SN74AS867, SN74AS869
SYNCHRONOUS 8-BIT UP/DOWN COUNTERS**

查得 SN54AS867A 供应商
DECEMBER 1982 (REV. JANUARY 1995)

absolute maximum ratings over operating free-air temperature range (unless otherwise noted)†

Supply voltage, V_{CC}	7 V
Input voltage, V_I	7 V
Operating free-air temperature range, T_A : SN54AS867	-55°C to 125°C
SN74AS867	0°C to 70°C
Storage temperature range	-65°C to 150°C

† Stresses beyond those listed under “absolute maximum ratings” may cause permanent damage to the device. These are stress ratings only, and functional operation of the device at these or any other conditions beyond those indicated under “recommended operating conditions” is not implied. Exposure to absolute-maximum-rated conditions for extended periods may affect device reliability.

recommended operating conditions

		SN54AS867			SN74AS867			UNIT
		MIN	NOM	MAX	MIN	NOM	MAX	
V_{CC}	Supply voltage	4.5	5	5.5	4.5	5	5.5	V
V_{IH}	High-level input voltage	2			2			V
V_{IL}	Low-level input voltage			0.8			0.8	V
I_{OH}	High-level output current			-2			-2	mA
I_{OL}	Low-level output current			20			20	mA
f_{clock}^*	Clock frequency	0		40	0		50	MHz
$t_{w(clock)}^*$	Pulse duration, CLK high or low	12.5			10			ns
$t_{w(clear)}^*$	Pulse duration of clear pulse, S0 and S1 low	12.5			10			ns
t_{su}^*	Setup time before CLK↑	Data inputs A–H	5		4			ns
		\overline{ENP} or \overline{ENT}	9		8			
		S0 low and S1 high (load)	11		10			
		S0 and S1 low (clear)	11		10			
		S0 high and S1 low (count down)	42		40			
		S0 and S1 high (count up)	42		40			
t_h^*	Hold time after CLK↑			0			0	ns
t_{skew}^*	Skew time between S0 and S1 (maximum to avoid inadvertent clear)			8			7	ns
T_A	Operating free-air temperature	-55		125	0		70	°C

* On products compliant to MIL-STD-883, Class B, this parameter is based on characterization data but is not production tested.



SN54AS867, SN54AS869
SN74ALS867A, SN74ALS869, SN74AS867, SN74AS869
SYNCHRONOUS 8-BIT UP/DOWN COUNTERS

SDAS115C – DECEMBER 1982 – REVISED JANUARY 1995

[查询"5962-8952601KA"供应商](#)

electrical characteristics over recommended operating free-air temperature range (unless otherwise noted)

PARAMETER	TEST CONDITIONS	SN54AS867		SN74AS867		UNIT	
		MIN	TYP†	MAX	MIN		TYP†
V_{IK}	$V_{CC} = 4.5\text{ V}$, $I_I = -18\text{ mA}$			-1.2		-1.2	V
V_{OH}	$V_{CC} = 4.5\text{ V to }5.5\text{ V}$, $I_{OH} = -2\text{ mA}$	$V_{CC} - 2$			$V_{CC} - 2$		V
V_{OL}	$V_{CC} = 4.5\text{ V}$ $I_{OL} = 20\text{ mA}$, V_{IL} on $\overline{ENT} = 0.7\text{ V}$		0.34	0.5			V
		Other outputs				0.34 0.5	
I_I	$V_{CC} = 5.5\text{ V}$, $V_I = 7\text{ V}$			0.1		0.1	mA
I_{IH}	$V_{CC} = 5.5\text{ V}$, $V_I = 2.7\text{ V}$	\overline{ENT}		40		40	μA
		Other inputs		20		20	
I_{IL}	$V_{CC} = 5.5\text{ V}$, $V_I = 0.4\text{ V}$	\overline{ENT}		-4		-4	mA
		Other inputs		-2		-2	
$I_{O\ddagger}$	$V_{CC} = 5.5\text{ V}$, $V_O = 2.25\text{ V}$	-30		-112	-30		mA
I_{CC}	$V_{CC} = 5.5\text{ V}$		134	195		134 195	mA

† All typical values are at $V_{CC} = 5\text{ V}$, $T_A = 25^\circ\text{C}$.

‡ The output conditions have been chosen to produce a current that closely approximates one half of the true short-circuit output current, I_{OS} .

switching characteristics (see Figure 1)

PARAMETER	FROM (INPUT)	TO (OUTPUT)	$V_{CC} = 4.5\text{ V to }5.5\text{ V}$, $C_L = 50\text{ pF}$, $R_L = 500\ \Omega$, $T_A = \text{MIN to MAX}\S$				UNIT
			SN54AS867		SN74AS867		
			MIN	MAX	MIN	MAX	
f_{max}^*			40		50		MHz
t_{PLH}	CLK	\overline{RCO}	5	31	5	22	ns
t_{PHL}			6	19	6	16	
t_{PLH}	CLK	Any Q	3	12	3	11	ns
t_{PHL}			4	16	4	15	
t_{PLH}	\overline{ENT}	\overline{RCO}	3	19	3	10	ns
t_{PHL}			5	21	5	17	
t_{PLH}	\overline{ENP}	\overline{RCO}	5	16	5	14	ns
t_{PHL}			5	21	5	17	
t_{PHL}	Clear (S0 or S1 low)	Any Q	7	23	7	21	ns

* On products compliant to MIL-STD-883, Class B, this parameter is based on characterization data but is not production tested.

§ For conditions shown as MIN or MAX, use the appropriate value specified under recommended operating conditions.



SN54AS867, SN54AS869
 SN74ALS867A, SN74ALS869, SN74AS867, SN74AS869
 SYNCHRONOUS 8-BIT UP/DOWN COUNTERS

查閱 SN54ALS867A 供應商 ANUARY 1995

absolute maximum ratings over operating free-air temperature range (unless otherwise noted)†

Supply voltage, V_{CC}	7 V
Input voltage, V_I	7 V
Operating free-air temperature range, T_A : SN54AS869	-55°C to 125°C
SN74AS869	0°C to 70°C
Storage temperature range	-65°C to 150°C

† Stresses beyond those listed under “absolute maximum ratings” may cause permanent damage to the device. These are stress ratings only, and functional operation of the device at these or any other conditions beyond those indicated under “recommended operating conditions” is not implied. Exposure to absolute-maximum-rated conditions for extended periods may affect device reliability.

recommended operating conditions

		SN54AS869			SN74AS869			UNIT
		MIN	NOM	MAX	MIN	NOM	MAX	
V_{CC}	Supply voltage	4.5	5	5.5	4.5	5	5.5	V
V_{IH}	High-level input voltage	2			2			V
V_{IL}	Low-level input voltage			0.7			0.8	V
I_{OH}	High-level output current			-2			-2	mA
I_{OL}	Low-level output current			20			20	mA
f_{clock}^*	Clock frequency			40			45	MHz
$t_w(\text{clock})^*$	Pulse duration, CLK high or low	12.5			11			ns
t_{su}^*	Setup time before CLK↑	Data inputs A–H	6		5			ns
		\overline{ENP} or \overline{ENT}	10		9			
		S0 low and S1 high (load)	13		11			
		S0 and S1 low (clear)	13		11			
		S0 high and S1 low (count down)	52		50			
		S0 and S1 high (count up)	52		50			
t_h^*	Hold time after CLK↑	Data inputs A–H	0		0			ns
T_A	Operating free-air temperature	-55		125	0		70	°C

* On products compliant to MIL-STD-883, Class B, this parameter is based on characterization data but is not production tested.



SN54AS867, SN54AS869
SN74ALS867A, SN74ALS869, SN74AS867, SN74AS869
SYNCHRONOUS 8-BIT UP/DOWN COUNTERS

SDAS115C – DECEMBER 1982 – REVISED JANUARY 1995

[查询"5962-8952601KA"供应商](#)

electrical characteristics over recommended operating free-air temperature range (unless otherwise noted)

PARAMETER	TEST CONDITIONS	SN54AS869		SN74AS869		UNIT	
		MIN	TYP†	MAX	MIN		TYP†
V_{IK}	$V_{CC} = 4.5\text{ V}$, $I_I = -18\text{ mA}$			-1.2		-1.2	V
V_{OH}	$V_{CC} = 4.5\text{ V to }5.5\text{ V}$, $I_{OH} = -2\text{ mA}$				$V_{CC} - 2$		V
	$V_{CC} = 4.5\text{ V}$, $I_{OH} = -2\text{ mA}$			$V_{CC} - 2^*$			
V_{OL}	$V_{CC} = 4.5\text{ V}$	$I_{OL} = 20\text{ mA}$, V_{IL} on $\overline{ENT} = 0.7\text{ V}$	0.34	0.5			V
					0.34	0.5	
I_I	$V_{CC} = 5.5\text{ V}$, $V_I = 7\text{ V}$			0.1		0.1	mA
I_{IH}	$V_{CC} = 5.5\text{ V}$, $V_I = 2.7\text{ V}$	\overline{ENT}		40		40	μA
		Other inputs		20		20	
I_{IL}	$V_{CC} = 5.5\text{ V}$, $V_I = 0.4\text{ V}$	\overline{ENT}		-4		-4	mA
		Other inputs		-2		-2	
$I_{O\ddagger}$	$V_{CC} = 5.5\text{ V}$, $V_O = 2.25\text{ V}$	-30		-112	-30	-112	mA
I_{CC}	$V_{CC} = 5.5\text{ V}$		134	195		134 195	mA

† All typical values are at $V_{CC} = 5\text{ V}$, $T_A = 25^\circ\text{C}$.

‡ The output conditions have been chosen to produce a current that closely approximates one half of the true short-circuit output current, I_{OS} .

switching characteristics (see Figure 1)

PARAMETER	FROM (INPUT)	TO (OUTPUT)	$V_{CC} = 4.5\text{ V to }5.5\text{ V}$, $C_L = 50\text{ pF}$, $R_L = 500\ \Omega$, $T_A = \text{MIN to MAX}^\S$				UNIT
			SN54AS869		SN74AS869		
			MIN	MAX	MIN	MAX	
f_{max}^*			40		45		MHz
t_{PLH}	CLK	\overline{RCO}	6	35	6	35	ns
t_{PHL}			6	20	6	18	
t_{PLH}	CLK	Any Q	3	12	3	11	ns
t_{PHL}			4	16	4	15	
t_{PLH}	\overline{ENT}	\overline{RCO}	3	25	3	15	ns
t_{PHL}			6	21	6	17	
t_{PLH}	\overline{ENP}	\overline{RCO}	5	27	5	19	ns
t_{PHL}			6	21	6	18	

* On products compliant to MIL-STD-883, Class B, this parameter is based on characterization data but is not production tested.

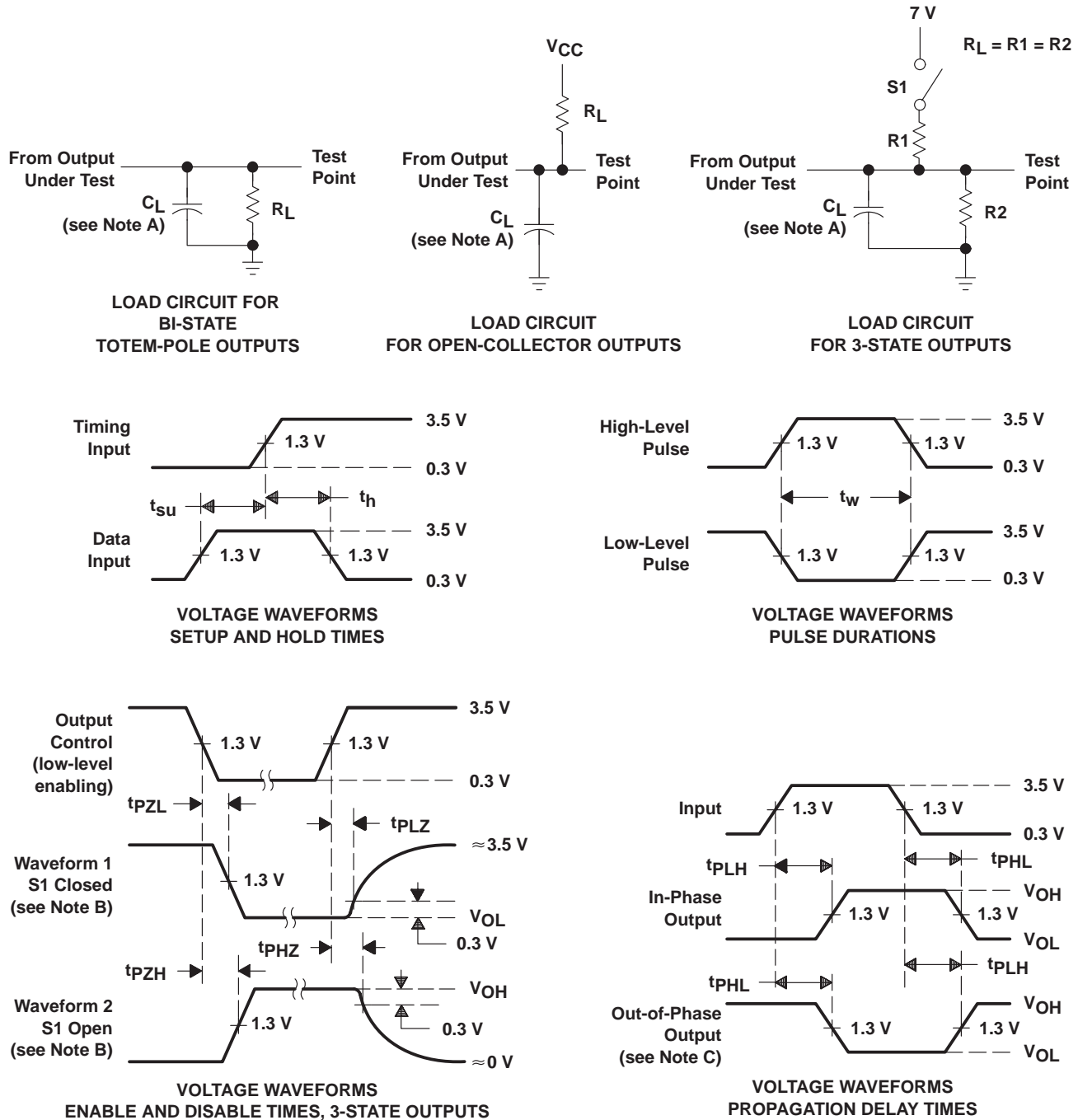
§ For conditions shown as MIN or MAX, use the appropriate value specified under recommended operating conditions.



SN54AS867, SN54AS869
 SN74ALS867A, SN74ALS869, SN74AS867, SN74AS869
 SYNCHRONOUS 8-BIT UP/DOWN COUNTERS

查得 5962-89250-1K2 供应商

PARAMETER MEASUREMENT INFORMATION
 SERIES 54ALS/74ALS AND 54AS/74AS DEVICES



- NOTES: A. C_L includes probe and jig capacitance.
 B. Waveform 1 is for an output with internal conditions such that the output is low except when disabled by the output control. Waveform 2 is for an output with internal conditions such that the output is high except when disabled by the output control.
 C. When measuring propagation delay items of 3-state outputs, switch S1 is open.
 D. All input pulses have the following characteristics: $PRR \leq 1$ MHz, $t_r = t_f = 2$ ns, duty cycle = 50%.
 E. The outputs are measured one at a time with one transition per measurement.

Figure 1. Load Circuits and Voltage Waveforms



PACKAGING INFORMATION

Orderable Device	Status ⁽¹⁾	Package Type	Package Drawing	Pins	Package Qty	Eco Plan ⁽²⁾	Lead/Ball Finish	MSL Peak Temp ⁽³⁾
5962-89526013A	ACTIVE	LCCC	FK	28	1	TBD	POST-PLATE	N / A for Pkg Type
5962-8952601KA	ACTIVE	CFP	W	24	1	TBD	A42	N / A for Pkg Type
5962-8952601LA	ACTIVE	CDIP	JT	24	1	TBD	A42 SNPB	N / A for Pkg Type
5962-89668013A	ACTIVE	LCCC	FK	28	1	TBD	POST-PLATE	N / A for Pkg Type
5962-8966801KA	ACTIVE	CFP	W	24	1	TBD	A42	N / A for Pkg Type
5962-8966801LA	ACTIVE	CDIP	JT	24	1	TBD	A42 SNPB	N / A for Pkg Type
SN54AS867JT	ACTIVE	CDIP	JT	24	1	TBD	A42 SNPB	N / A for Pkg Type
SN54AS869JT	ACTIVE	CDIP	JT	24	1	TBD	A42 SNPB	N / A for Pkg Type
SN74ALS867ADW	ACTIVE	SOIC	DW	24	25	Green (RoHS & no Sb/Br)	CU NIPDAU	Level-1-260C-UNLIM
SN74ALS867ADWE4	ACTIVE	SOIC	DW	24	25	Green (RoHS & no Sb/Br)	CU NIPDAU	Level-1-260C-UNLIM
SN74ALS867ADWR	ACTIVE	SOIC	DW	24	2000	Green (RoHS & no Sb/Br)	CU NIPDAU	Level-1-260C-UNLIM
SN74ALS867ADWRE4	ACTIVE	SOIC	DW	24	2000	Green (RoHS & no Sb/Br)	CU NIPDAU	Level-1-260C-UNLIM
SN74ALS867ANT	ACTIVE	PDIP	NT	24	15	Pb-Free (RoHS)	CU NIPDAU	N / A for Pkg Type
SN74ALS867ANTE4	ACTIVE	PDIP	NT	24	15	Pb-Free (RoHS)	CU NIPDAU	N / A for Pkg Type
SN74ALS869DW	ACTIVE	SOIC	DW	24	25	Green (RoHS & no Sb/Br)	CU NIPDAU	Level-1-260C-UNLIM
SN74ALS869DWE4	ACTIVE	SOIC	DW	24	25	Green (RoHS & no Sb/Br)	CU NIPDAU	Level-1-260C-UNLIM
SN74ALS869DWR	ACTIVE	SOIC	DW	24	2000	Green (RoHS & no Sb/Br)	CU NIPDAU	Level-1-260C-UNLIM
SN74ALS869DWRE4	ACTIVE	SOIC	DW	24	2000	Green (RoHS & no Sb/Br)	CU NIPDAU	Level-1-260C-UNLIM
SN74ALS869NT	ACTIVE	PDIP	NT	24	15	Pb-Free (RoHS)	CU NIPDAU	N / A for Pkg Type
SN74ALS869NTE4	ACTIVE	PDIP	NT	24	15	Pb-Free (RoHS)	CU NIPDAU	N / A for Pkg Type
SN74AS867DW	ACTIVE	SOIC	DW	24	25	Green (RoHS & no Sb/Br)	CU NIPDAU	Level-1-260C-UNLIM
SN74AS867DWE4	ACTIVE	SOIC	DW	24	25	Green (RoHS & no Sb/Br)	CU NIPDAU	Level-1-260C-UNLIM
SN74AS867DWR	ACTIVE	SOIC	DW	24	2000	Green (RoHS & no Sb/Br)	CU NIPDAU	Level-1-260C-UNLIM
SN74AS867DWRE4	ACTIVE	SOIC	DW	24	2000	Green (RoHS & no Sb/Br)	CU NIPDAU	Level-1-260C-UNLIM
SN74AS867NT	ACTIVE	PDIP	NT	24	15	Pb-Free (RoHS)	CU NIPDAU	N / A for Pkg Type
SN74AS867NT3	OBSOLETE	PDIP	NT	24		TBD	Call TI	Call TI
SN74AS867NTE4	ACTIVE	PDIP	NT	24	15	Pb-Free (RoHS)	CU NIPDAU	N / A for Pkg Type
SN74AS869DW	ACTIVE	SOIC	DW	24	25	Green (RoHS & no Sb/Br)	CU NIPDAU	Level-1-260C-UNLIM
SN74AS869DWE4	ACTIVE	SOIC	DW	24	25	Green (RoHS & no Sb/Br)	CU NIPDAU	Level-1-260C-UNLIM

Orderable Device	Status ⁽¹⁾	Package Type	Package Drawing	Pins	Package Qty	Eco Plan ⁽²⁾	Lead/Ball Finish	MSL Peak Temp ⁽³⁾
						no Sb/Br)		
SN74AS869DWR	ACTIVE	SOIC	DW	24	2000	Green (RoHS & no Sb/Br)	CU NIPDAU	Level-1-260C-UNLIM
SN74AS869DWRE4	ACTIVE	SOIC	DW	24	2000	Green (RoHS & no Sb/Br)	CU NIPDAU	Level-1-260C-UNLIM
SN74AS869NT	ACTIVE	PDIP	NT	24	15	Pb-Free (RoHS)	CU NIPDAU	N / A for Pkg Type
SN74AS869NT3	OBSOLETE	PDIP	NT	24		TBD	Call TI	Call TI
SN74AS869NTE4	ACTIVE	PDIP	NT	24	15	Pb-Free (RoHS)	CU NIPDAU	N / A for Pkg Type
SNJ54AS867FK	ACTIVE	LCCC	FK	28	1	TBD	POST-PLATE	N / A for Pkg Type
SNJ54AS867JT	ACTIVE	CDIP	JT	24	1	TBD	A42 SNPB	N / A for Pkg Type
SNJ54AS867W	ACTIVE	CFP	W	24	1	TBD	A42	N / A for Pkg Type
SNJ54AS869FK	ACTIVE	LCCC	FK	28	1	TBD	POST-PLATE	N / A for Pkg Type
SNJ54AS869JT	ACTIVE	CDIP	JT	24	1	TBD	A42 SNPB	N / A for Pkg Type
SNJ54AS869W	ACTIVE	CFP	W	24	1	TBD	A42	N / A for Pkg Type

⁽¹⁾ The marketing status values are defined as follows:

ACTIVE: Product device recommended for new designs.

LIFEBUY: TI has announced that the device will be discontinued, and a lifetime-buy period is in effect.

NRND: Not recommended for new designs. Device is in production to support existing customers, but TI does not recommend using this part in a new design.

PREVIEW: Device has been announced but is not in production. Samples may or may not be available.

OBSOLETE: TI has discontinued the production of the device.

⁽²⁾ Eco Plan - The planned eco-friendly classification: Pb-Free (RoHS), Pb-Free (RoHS Exempt), or Green (RoHS & no Sb/Br) - please check <http://www.ti.com/productcontent> for the latest availability information and additional product content details.

TBD: The Pb-Free/Green conversion plan has not been defined.

Pb-Free (RoHS): TI's terms "Lead-Free" or "Pb-Free" mean semiconductor products that are compatible with the current RoHS requirements for all 6 substances, including the requirement that lead not exceed 0.1% by weight in homogeneous materials. Where designed to be soldered at high temperatures, TI Pb-Free products are suitable for use in specified lead-free processes.

Pb-Free (RoHS Exempt): This component has a RoHS exemption for either 1) lead-based flip-chip solder bumps used between the die and package, or 2) lead-based die adhesive used between the die and leadframe. The component is otherwise considered Pb-Free (RoHS compatible) as defined above.

Green (RoHS & no Sb/Br): TI defines "Green" to mean Pb-Free (RoHS compatible), and free of Bromine (Br) and Antimony (Sb) based flame retardants (Br or Sb do not exceed 0.1% by weight in homogeneous material)

⁽³⁾ MSL, Peak Temp. -- The Moisture Sensitivity Level rating according to the JEDEC industry standard classifications, and peak solder temperature.

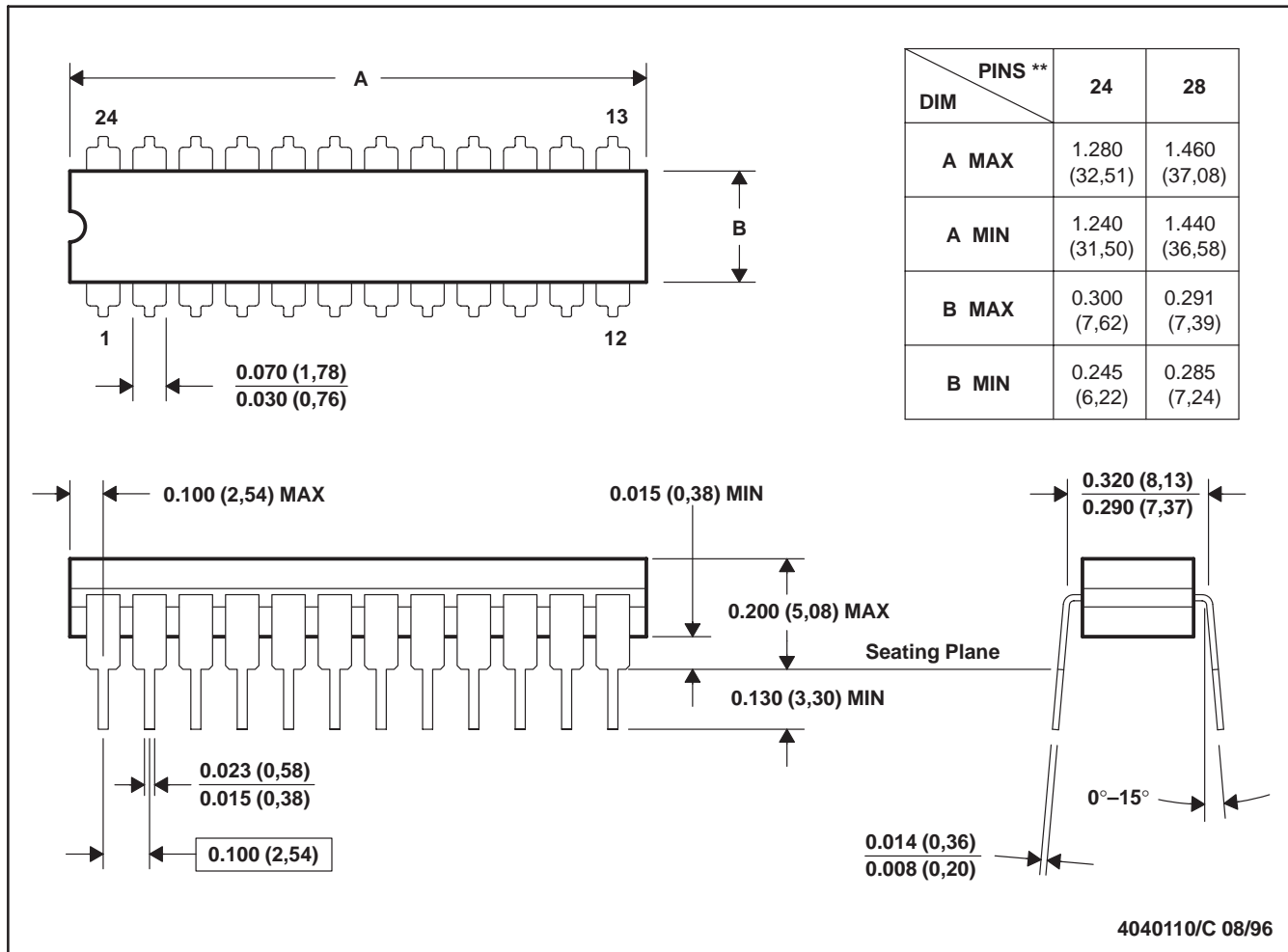
Important Information and Disclaimer: The information provided on this page represents TI's knowledge and belief as of the date that it is provided. TI bases its knowledge and belief on information provided by third parties, and makes no representation or warranty as to the accuracy of such information. Efforts are underway to better integrate information from third parties. TI has taken and continues to take reasonable steps to provide representative and accurate information but may not have conducted destructive testing or chemical analysis on incoming materials and chemicals. TI and TI suppliers consider certain information to be proprietary, and thus CAS numbers and other limited information may not be available for release.

In no event shall TI's liability arising out of such information exceed the total purchase price of the TI part(s) at issue in this document sold by TI to Customer on an annual basis.

JT (R-GDIP-T**)

CERAMIC DUAL-IN-LINE

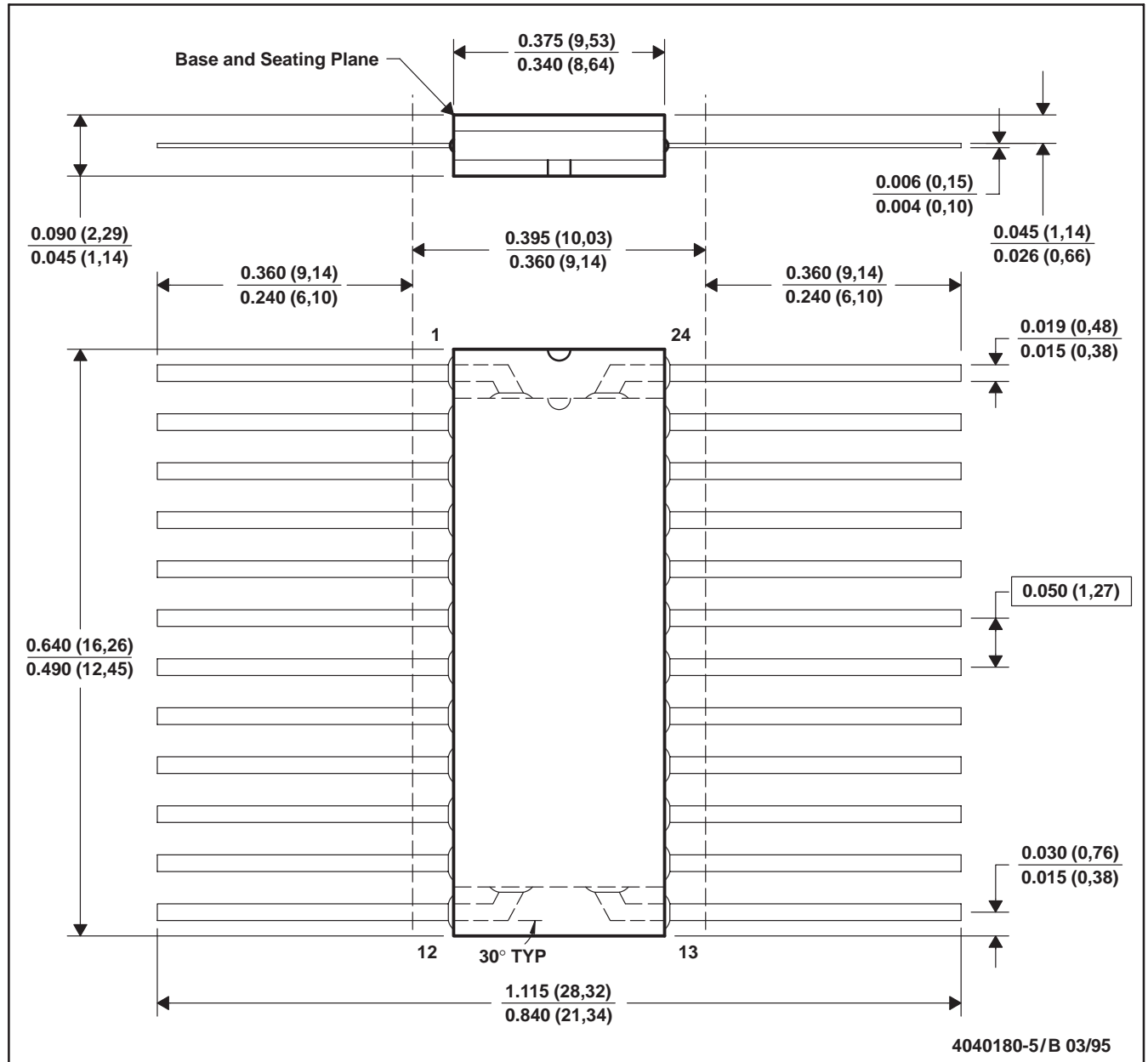
24 LEADS SHOWN



- NOTES: A. All linear dimensions are in inches (millimeters).
 B. This drawing is subject to change without notice.
 C. This package can be hermetically sealed with a ceramic lid using glass frit.
 D. Index point is provided on cap for terminal identification.
 E. Falls within MIL STD 1835 GDIP3-T24, GDIP4-T28, and JEDEC MO-058 AA, MO-058 AB

W (R-GDFP-F24)

CERAMIC DUAL FLATPACK

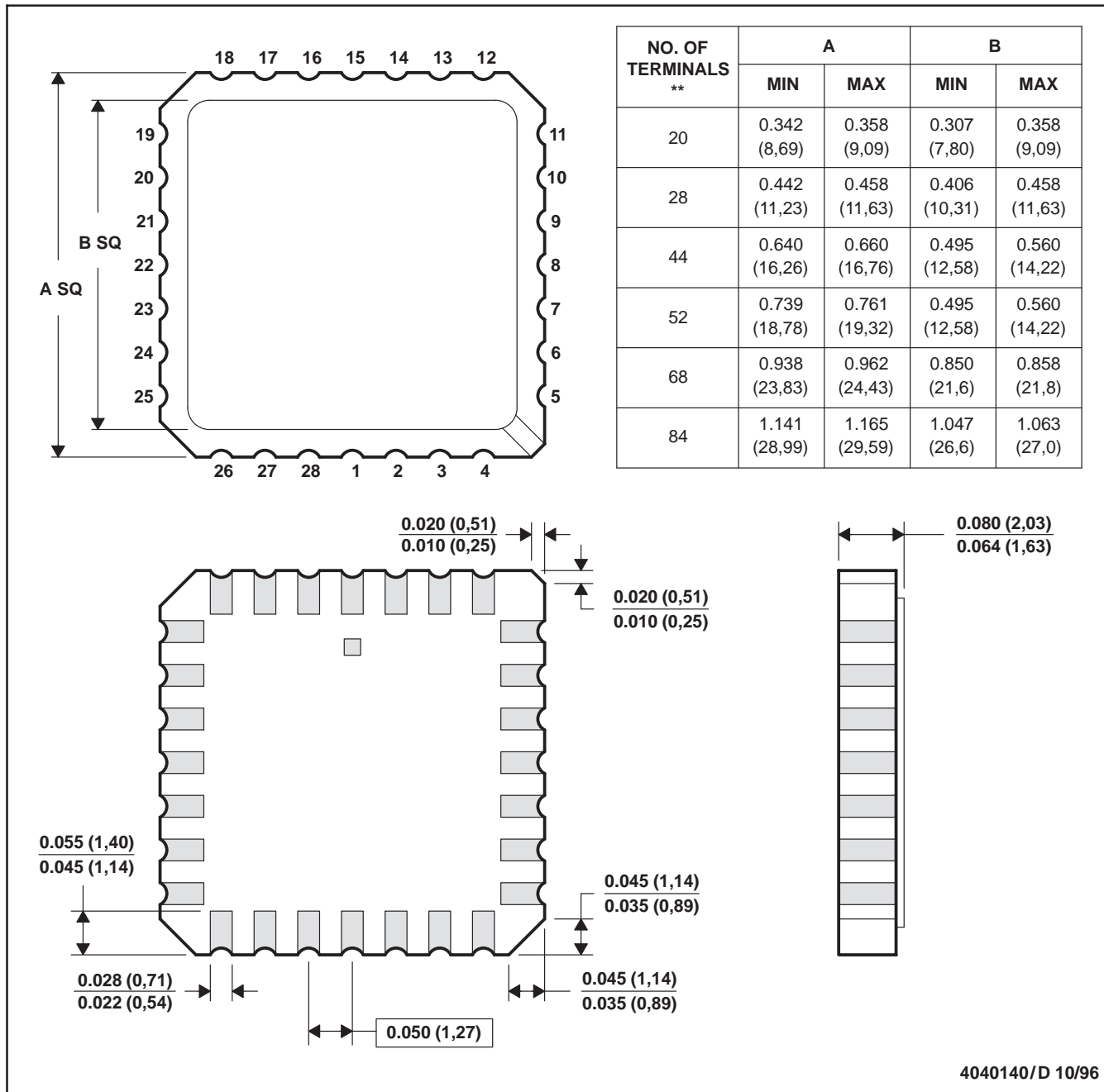


- NOTES:
- All linear dimensions are in inches (millimeters).
 - This drawing is subject to change without notice.
 - This package can be hermetically sealed with a ceramic lid using glass frit.
 - Falls within MIL-STD-1835 GDFP2-F24 and JEDEC MO-070AD
 - Index point is provided on cap for terminal identification only.

FK (S-CQCC-N**)

LEADLESS CERAMIC CHIP CARRIER

28 TERMINAL SHOWN

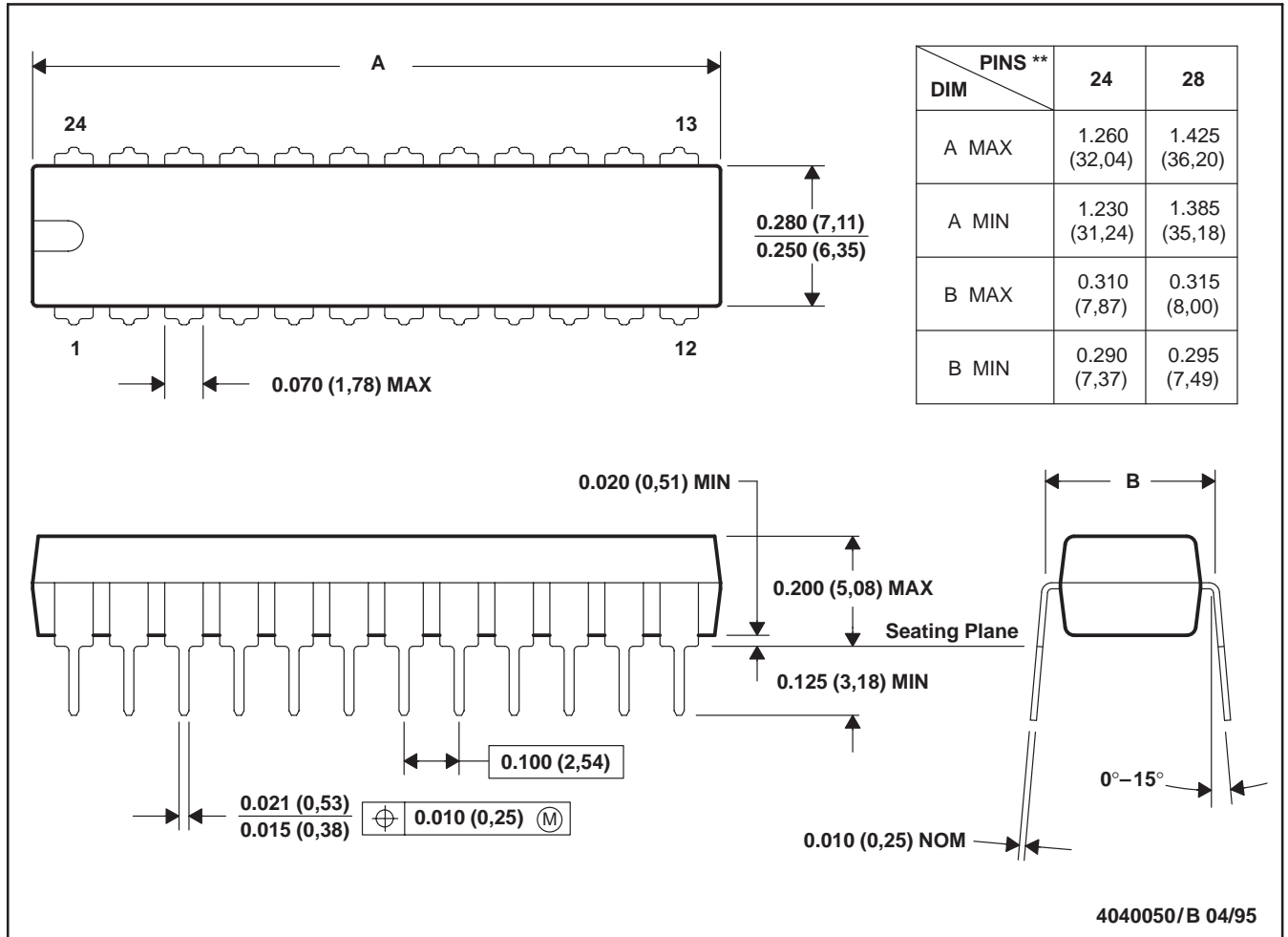


- NOTES:
- A. All linear dimensions are in inches (millimeters).
 - B. This drawing is subject to change without notice.
 - C. This package can be hermetically sealed with a metal lid.
 - D. The terminals are gold plated.
 - E. Falls within JEDEC MS-004

NT (R-PDIP-T**)

PLASTIC DUAL-IN-LINE PACKAGE

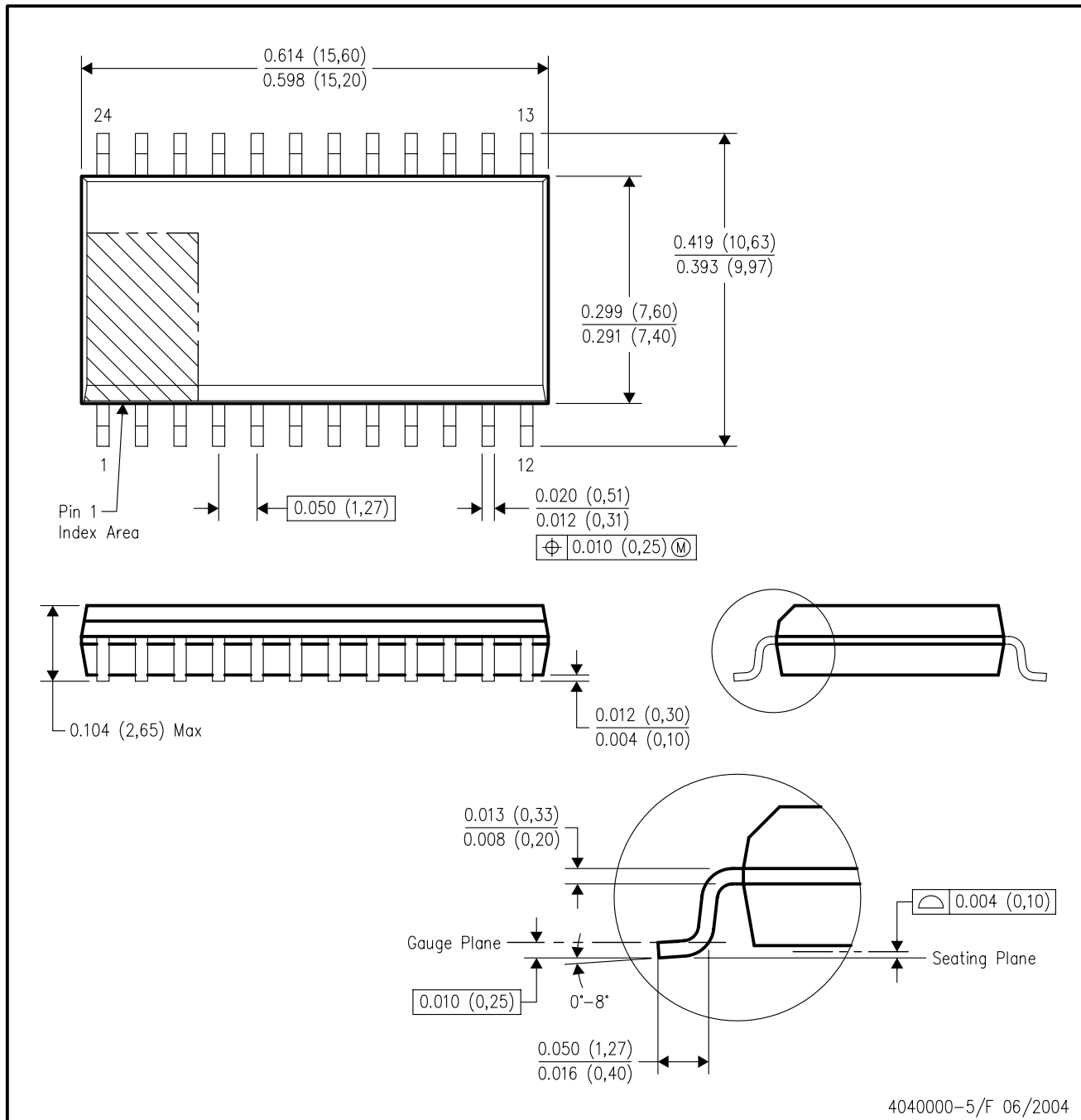
24 PINS SHOWN



- NOTES: A. All linear dimensions are in inches (millimeters).
 B. This drawing is subject to change without notice.

DW (R-PDSO-G24)

PLASTIC SMALL-OUTLINE PACKAGE



- NOTES:
- A. All linear dimensions are in inches (millimeters).
 - B. This drawing is subject to change without notice.
 - C. Body dimensions do not include mold flash or protrusion not to exceed 0.006 (0,15).
 - D. Falls within JEDEC MS-013 variation AD.

IMPORTANT NOTICE

Texas Instruments Incorporated and its subsidiaries (TI) reserve the right to make corrections, modifications, enhancements, improvements, and other changes to its products and services at any time and to discontinue any product or service without notice. Customers should obtain the latest relevant information before placing orders and should verify that such information is current and complete. All products are sold subject to TI's terms and conditions of sale supplied at the time of order acknowledgment.

TI warrants performance of its hardware products to the specifications applicable at the time of sale in accordance with TI's standard warranty. Testing and other quality control techniques are used to the extent TI deems necessary to support this warranty. Except where mandated by government requirements, testing of all parameters of each product is not necessarily performed.

TI assumes no liability for applications assistance or customer product design. Customers are responsible for their products and applications using TI components. To minimize the risks associated with customer products and applications, customers should provide adequate design and operating safeguards.

TI does not warrant or represent that any license, either express or implied, is granted under any TI patent right, copyright, mask work right, or other TI intellectual property right relating to any combination, machine, or process in which TI products or services are used. Information published by TI regarding third-party products or services does not constitute a license from TI to use such products or services or a warranty or endorsement thereof. Use of such information may require a license from a third party under the patents or other intellectual property of the third party, or a license from TI under the patents or other intellectual property of TI.

Reproduction of information in TI data books or data sheets is permissible only if reproduction is without alteration and is accompanied by all associated warranties, conditions, limitations, and notices. Reproduction of this information with alteration is an unfair and deceptive business practice. TI is not responsible or liable for such altered documentation.

Resale of TI products or services with statements different from or beyond the parameters stated by TI for that product or service voids all express and any implied warranties for the associated TI product or service and is an unfair and deceptive business practice. TI is not responsible or liable for any such statements.

Following are URLs where you can obtain information on other Texas Instruments products and application solutions:

Products		Applications	
Amplifiers	amplifier.ti.com	Audio	www.ti.com/audio
Data Converters	dataconverter.ti.com	Automotive	www.ti.com/automotive
DSP	dsp.ti.com	Broadband	www.ti.com/broadband
Interface	interface.ti.com	Digital Control	www.ti.com/digitalcontrol
Logic	logic.ti.com	Military	www.ti.com/military
Power Mgmt	power.ti.com	Optical Networking	www.ti.com/opticalnetwork
Microcontrollers	microcontroller.ti.com	Security	www.ti.com/security
Low Power Wireless	www.ti.com/lpw	Telephony	www.ti.com/telephony
		Video & Imaging	www.ti.com/video
		Wireless	www.ti.com/wireless

Mailing Address: Texas Instruments
Post Office Box 655303 Dallas, Texas 75265