

## 1.5K-BIT SERIAL EPROM WITH SDQ INTERFACE

### FEATURES

- 1536 Bits of One-Time Programmable (OTP) EPROM For Storage Of User-Programmable Configuration Data
- Factory-Programmed Unique 64-Bit Identification Number
- Bus-Interface Architecture Allowing Multiple bq2024's Attached to a Single Host
- Single-Wire Interface to Reduce Circuit Board Routing
- Synchronous Communication Reduces Host Interrupt Overhead
- No Standby Power Required
- Address Space Backward Compatible With bq2022A
- 8-byte RAM Buffer for Faster Write
- Page Address Redirection
- 15KV IEC 61000-4-2 Air Charge on SDQ
- Available in a 3-Pin SOT23 Package and TO-92 Package

### APPLICATIONS

- Security Encoding
- Inventory Tracking
- Product-Revision Maintenance
- Battery-Pack Identification

### DESCRIPTION

The bq2024 is a 1.5K-bit serial EPROM containing a factory-programmed, unique 48-bit identification number, 8-bit CRC generation, and the 8-bit family code (09h). A 64-bit status register controls write protection and page redirection.

The bq2024 SDQ™ interface requires only a single connection and a ground return. The DATA pin is also the sole power source for the bq2024. The bus architecture allows multiple SDQ devices to be connected to a single host.

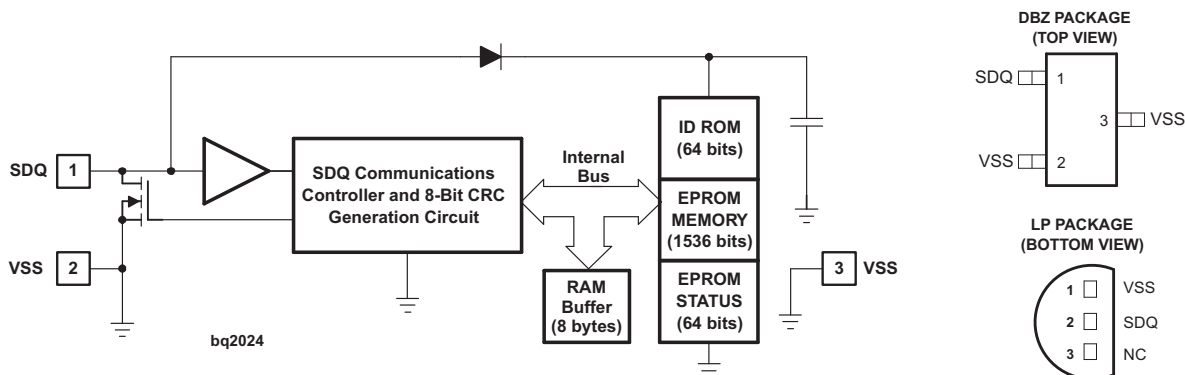
The small surface-mount package options saves printed-circuit-board space, while the low cost makes it ideal for applications such as battery pack configuration parameters, record maintenance, asset tracking, product-revision status, and access-code security.

### ORDERING INFORMATION<sup>(1)</sup>

| T <sub>A</sub> <sup>(2)</sup> | PACKAGED DEVICES <sup>(3)</sup> |         |            |
|-------------------------------|---------------------------------|---------|------------|
|                               | PART NUMBER                     | PACKAGE | STATUS     |
| –20°C to 70°C                 | bq2024DBZR                      | SOT23-3 | Production |
|                               | bq2024LPR                       | TO-92   | Preview    |

- (1) For the most current package and ordering information, see the Package Option Addendum at the end of this document, or see the TI Web site at [www.ti.com](http://www.ti.com).
- (2) Device specified to communicate at –40°C to 85°C.
- (3) The device is available only in tape and reel with a base quantity of 3000 units for the bq2024DBZR and 2000 units for the bq2024LPR.

### BLOCK DIAGRAM



Please be aware that an important notice concerning availability, standard warranty, and use in critical applications of Texas Instruments semiconductor products and disclaimers thereto appears at the end of this data sheet.

SDQ is a trademark of Texas Instruments.



These devices have limited built-in ESD protection. The leads should be shorted together or the device placed in conductive foam during storage or handling to prevent electrostatic damage to the MOS gates.

## ABSOLUTE MAXIMUM RATINGS

over operating free-air temperature range unless otherwise noted<sup>(1)</sup>

|                      |  | UNIT  |
|----------------------|--|---|
| V <sub>PU</sub>      | DC voltage applied to data               | -0.3 V to 7 V                                     |
| I <sub>OL</sub>      | Low-level output current                 | 40 mA   |
|                      | ESD IEC 61000-4-2 Air discharge          | Data to V <sub>SS</sub> , V <sub>SS</sub> to data |
|                      |  | 15 kV   |
| T <sub>A</sub>       | Operating free-air temperature range     | -20°C to 70°C                                     |
| T <sub>A(Comm)</sub> | Communication free-air temperature range | Communication is specified by design              |
|                      |  | -40°C to 85°C                                     |
| T <sub>stg</sub>     | Storage temperature range                | -55°C to 125°C                                    |
|                      | Lead temperature (soldering, 10 s)       | 260°C   |

(1) Stresses beyond those listed under *absolute maximum ratings* may cause permanent damage to the device. These are stress ratings only, and functional operation of the device at these or any other conditions beyond those indicated under *recommended operating conditions* is not implied. Exposure to absolute-maximum-rated conditions for extended periods may affect device reliability.

## DC ELECTRICAL CHARACTERISTICS

T<sub>A</sub> = -20°C to 70°C; V<sub>PU(min)</sub> = 2.65 V<sub>DC</sub> to 5.5 V<sub>DC</sub>, all voltages relative to VSS

| PARAMETER         | TEST CONDITION                  | MIN   | TYP             | MAX | UNIT |
|-------------------|---------------------------------|---|-----------------|-----|------|
| I <sub>DATA</sub> | Supply current                  |   |                 | 20  | μA   |
| V <sub>OL</sub>   | Low-level output voltage        | Logic 0, V <sub>PU</sub> = 5.5 V, I <sub>OL</sub> = 4 mA, SDQ pin |                 | 0.4 | V    |
|                   |                                 | Logic 0, V <sub>PU</sub> = 2.65 V, I <sub>OL</sub> = 2 mA         |                 | 0.4 |      |
| V <sub>OH</sub>   | High-level output voltage       |   | V <sub>PU</sub> | 5.5 |      |
| I <sub>OL</sub>   | Low-level output current (sink) |   |                 | 4   | mA   |
| V <sub>IL</sub>   | Low-level input voltage         |   |                 | 0.8 | V    |
| V <sub>IH</sub>   | High-level input voltage        | 2.2   |                 |     | V    |
| V <sub>PP</sub>   | Programming voltage             | 11.5  |                 | 12  | V    |

## AC SWITCHING CHARACTERISTICS

T<sub>A</sub> = -20°C to 70°C; V<sub>PU(min)</sub> = 2.65 V<sub>DC</sub> to 5.5 V<sub>DC</sub>, all voltages relative to VSS

| PARAMETER          | TEST CONDITION                      | MIN                     | TYP | MAX            | UNIT |
|--------------------|-------------------------------------|-------------------------|-----|----------------|------|
| t <sub>c</sub>     | Bit cycle time <sup>(1)</sup>       | 60                      |     | 120            | μs   |
| t <sub>WSTRB</sub> | Write start cycle <sup>(1)</sup>    | 1                       |     | 15             | μs   |
| t <sub>WDSU</sub>  | Write data setup <sup>(1)</sup>     | t <sub>WSTRB</sub>      |     | 15             | μs   |
| t <sub>WDH</sub>   | Write data hold <sup>(1)(2)</sup>   | 60                      |     | t <sub>c</sub> | μs   |
| t <sub>rec</sub>   | Recovery time <sup>(1)</sup>        |                         | 1   |                | μs   |
|                    |                                     | For memory command only | 5   |                |      |
| t <sub>RSTRB</sub> | Read start cycle <sup>(1)</sup>     | 1                       |     | 13             | μs   |
| t <sub>ODD</sub>   | Output data delay <sup>(1)</sup>    | t <sub>RSTRB</sub>      |     | 13             | μs   |
| t <sub>ODHO</sub>  | Output data hold <sup>(1)</sup>     | 17                      |     | 60             | μs   |
| t <sub>RST</sub>   | Reset time <sup>(1)</sup>           | 480                     |     |                | μs   |
| t <sub>PPD</sub>   | Presence pulse delay <sup>(1)</sup> | 15                      |     | 60             | μs   |
| t <sub>PP</sub>    | Presence pulse <sup>(1)</sup>       | 60                      |     | 240            | μs   |
| t <sub>EPROG</sub> | EPROG programming time              | 2500                    |     |                | μs   |
| t <sub>PSU</sub>   | Program setup time                  | 5                       |     |                | μs   |
| t <sub>PREC</sub>  | Program recovery time               | 5                       |     |                | μs   |

(1) 5-kΩ series resistor between SDQ pin and V<sub>PU</sub>. (See [Figure 1](#))

(2) t<sub>WDH</sub> must be less than t<sub>c</sub> to account for recovery.

## AC SWITCHING CHARACTERISTICS (continued)

$T_A = -20^{\circ}\text{C}$  to  $70^{\circ}\text{C}$ ;  $V_{PU(\text{min})} = 2.65 V_{DC}$  to  $5.5 V_{DC}$ , all voltages relative to VSS

| PARAMETER           |                           | TEST CONDITION | MIN | TYP | MAX | UNIT          |
|---------------------|---------------------------|----------------|-----|-----|-----|---------------|
| $t_{\text{PRE}}$    | Program rising-edge time  |                |     |     | 5   | $\mu\text{s}$ |
| $t_{\text{PFE}}$    | Program falling-edge time |                |     |     | 5   | $\mu\text{s}$ |
| $t_{\text{RSTREC}}$ |                           |                | 480 |     |     | $\mu\text{s}$ |

## Terminal Functions

| TERMINAL NAME                | NO.  | I/O | DESCRIPTION   |
|------------------------------|------|-----|---------------|
| <b>bq2024DBZR</b>            |      |     |               |
| SDQ                          | 1    | I   | Data          |
| VSS                          | 2, 3 | -   | Ground        |
| <b>bq2024LPR, bq2024LPFR</b> |      |     |               |
| VSS                          | 1    | -   | GND           |
| SDQ                          | 2    | I   | Data          |
| NC                           | 3    | -   | No connection |

## FUNCTIONAL DESCRIPTION

### GENERAL OPERATION

The block diagram on page 1 shows the relationships among the major control and memory sections of the bq2024. The bq2024 has three main data components: a 1536-bit factory-programmed ROM, including 8-bit family code, 48-bit identification number and 8-bit CRC value, EPROM, and EPROM STATUS bytes. Power for read and write operations is derived from the DATA pin. An internal capacitor stores energy while the signal line is high and releases energy during the low times of the DATA pin, until the pin returns high to replenish the charge on the capacitor. A special manufacturer's PROGRAM PROFILE BYTE can be read to determine the programming profile required to program the part.

### 1536-BIT EPROM

Table 1 is a memory map of the 1536-bit EPROM section of the bq2024, configured as six pages of 32 bytes each. The 8-byte RAM buffers are additional registers used when programming the memory. Data are first written to the RAM buffer and then verified by reading an 8-bit CRC from the bq2024 that confirms proper receipt of the data. If the buffer contents are correct, a programming command is issued and an 8-byte segment of data is written into the selected address in memory. This process ensures data integrity when programming the memory. The details for reading and programming the 1536-bit EPROM portion of the bq2024 are in the *Memory Function Commands* section of this data sheet.

**Table 1. 1536-BIT EPROM Data Memory Map**

| ADDRESS(HEX) | PAGE   |
|--------------|--------|
| 00A0-00BF    | Page 5 |
| 0080-009F    | Page 4 |
| 0060-007F    | Page 3 |
| 0040-005F    | Page 2 |
| 0020-003F    | Page 1 |
| 0000-001F    | Page 0 |

## EPROM STATUS MEMORY

In addition to the programmable 1536 bits of memory, there are 64 bits of status information contained in the EPROM STATUS memory. The STATUS memory is accessible with separate commands. The STATUS bits are EPROM and are read or programmed to indicate various conditions to the software interrogating the bq2024. The first byte of the STATUS memory contains the write protect page bits, that inhibit programming of the corresponding page in the 1536-bit main memory area if the appropriate write-protection bit is programmed. Once a bit has been programmed in the write protect page byte, the entire 32-byte page that corresponds to that bit can no longer be altered but may still be read. The write protect bits may be cleared by using the WRITE STATUS command.

The next six bytes of the EPROM STATUS memory contain the page address redirection bytes. Bits in the EPROM status bytes can indicate to the host what page is substituted for the page by the appropriate redirection byte. The hardware of the bq2024 makes no decisions based on the contents of the page address redirection bytes. This feature allows the user's software to make a data patch to the EPROM by indicating that a particular page or pages should be replaced with those indicated in the page address redirection bytes. The ones complement of the new page address is written into the page address redirection byte that corresponds to the original (replaced) page. If a page address redirection byte has an FFh value, the data in the main memory that corresponds to that page are valid. If a page address redirection byte has some other hex value, the data in the page corresponding to that redirection byte are invalid, and the valid data can now be found at the ones complement of the page address indicated by the hexadecimal value stored in the associated page address redirection byte. A value of FDh in the redirection byte for page 1, for example, indicates that the updated data are now in page 2. The details for reading and programming the EPROM status memory portion of the bq2024 are given in the *Memory Function Commands* section.

**Table 2. EPROM Status Bytes**

| ADDRESS (HEX) | PAGE   |
|---------------|--|
| 00h           | Write protection bits<br>BIT0 - write protect page 0<br>BIT1 - write protect page 1<br>BIT2 - write protect page 2<br>BIT3 - write protect page 3<br>BIT4 -write protect page 4<br>BIT5 -write protect page 5<br>BIT6 to 7 -bitmap of used pages |
| 01h           | Redirection byte for page 0  |
| 02h           | Redirection byte for page 1  |
| 03h           | Redirection byte for page 2  |
| 04h           | Redirection byte for page 3  |
| 05h           | Redirection byte for page 4  |
| 06h           | Redirection byte for page 5  |
| 07h           | Factory programmed 00h   |

## Error Checking

To validate the data transmitted from the bq2024, the host generates a CRC value from the data as they are received. This generated value is compared to the CRC value transmitted by the bq2024. If the two CRC values match, the transmission is error-free. The equivalent polynomial function of this CRC is  $X^8 + X^5 + X^4 + 1$ . Details are found in the *CRC Generation Section* of this data sheet.

## Customizing the bq2024

The 64-bit ID identifies each bq2024. The 48-bit serial number is unique and programmed by Texas Instruments. The default 8-bit family code is 09h; however, a different value can be reserved on an individual customer basis. Contact your Texas Instruments sales representative for more information.

## Bus Termination

Because the drive output of the bq2024 is an open-drain, N-channel MOSFET, the host must provide a source current or a 5-k $\Omega$  external pullup, as shown in the typical application circuit in [Figure 1](#).

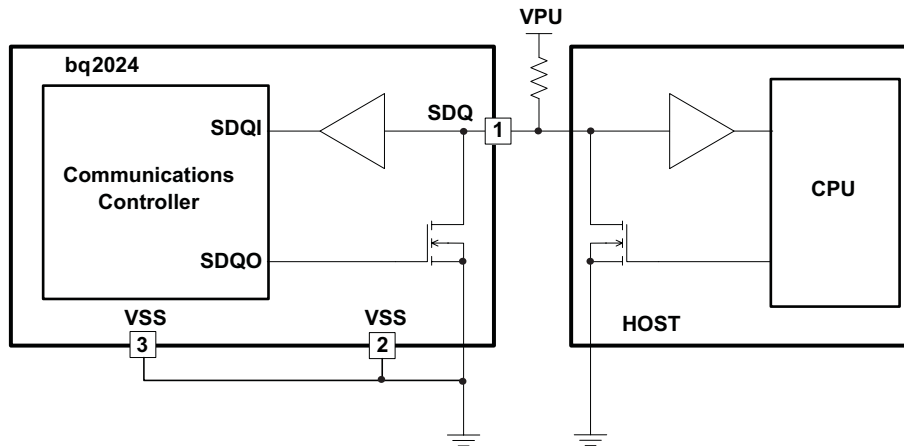


Figure 1. Typical Applications Circuit

## Serial Communication

A host reads, programs, or checks the status of the bq2024 through the hierarchical command structure of the SDQ interface. Figure 2 shows that the host must first issue a ROM command before the EPROM memory or status can be read or modified. The ROM command either selects a specific device when multiple devices are on the SDQ bus, or skips the selection process in single SDQ device applications.

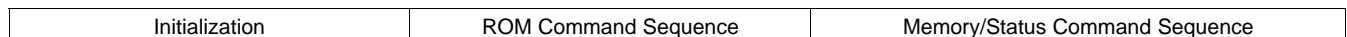


Figure 2. General Command Sequence

## Initialization

Initialization consists of two pulses, the RESET and the PRESENCE pulses. The host generates the RESET pulse, while the bq2024 responds with the PRESENCE pulse. The host resets the bq2024 by driving the DATA bus low for at least 480  $\mu$ s. For more details, see the *RESET* section under *SDQ Signaling*.

## ROM COMMANDS

### READ ROM

The READ ROM command sequence is the fastest sequence that allows the host to read the 8-bit family code and 48-bit identification number. It is used if only one SDQ slave device is attached to the bus. The READ ROM sequence starts with the host generating the RESET pulse of at least 480  $\mu$ s. The bq2024 responds with a PRESENCE pulse. Next, the host continues by issuing the READ ROM command, 33h, and then reads the ROM and CRC byte using the READ signaling (see the READ and WRITE signals section) during the data frame.

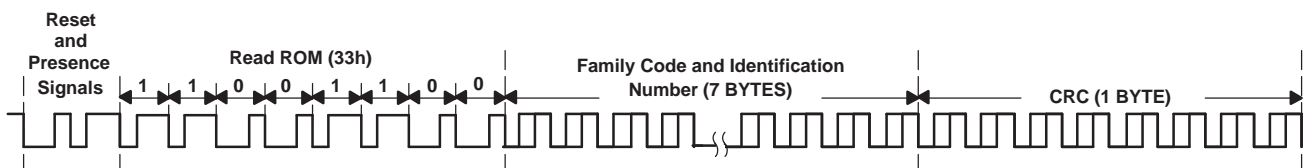


Figure 3. READ ROM Sequence

### MATCH ROM

The MATCH ROM command, 55h, is used by the host to select a specific SDQ device when the family code and identification number is known. The host issues the MATCH ROM command followed by the family code, ROM number, and the CRC byte. Only the device that matches the 64-bit ROM sequence is selected and available to perform subsequent Memory/Status Function commands.

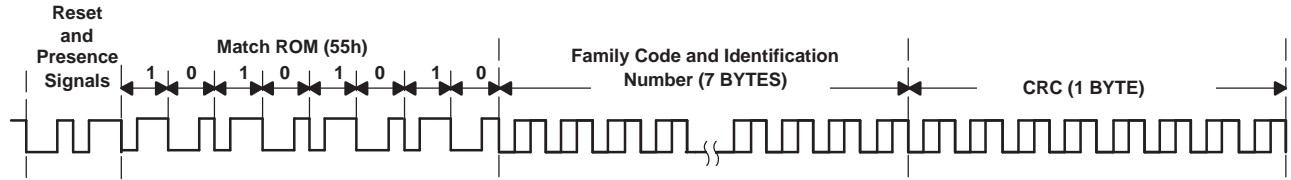


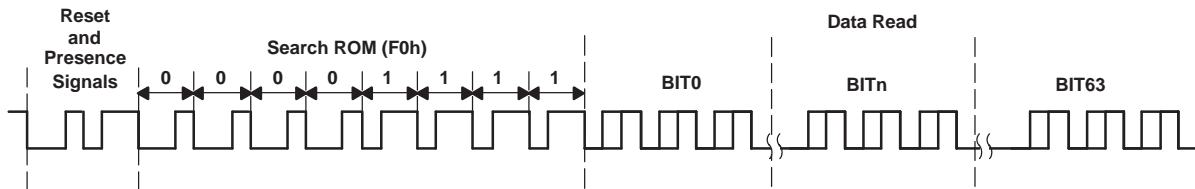
Figure 4. MATCH ROM Sequence

### SEARCH ROM

The SEARCH ROM command, F0h, is used to obtain the 8-bit family code and the 48-bit identification number and 8-bit CRC of any SDQ device when it is unknown. All devices on the bus are read under the SEARCH ROM command with the use of a collision-detect and device-decode method. Figure 5 shows the SEARCH ROM sequence started by the host, generating the RESET pulse of at least 480 μs. The bq2024 responds with a PRESENCE pulse. The host then issues the command in the command frame by writing an F0h. During the DATA READ of the SEARCH ROM sequence, each bit is transmitted three times. The bq2024 transmits the bit followed by the complement of the bit. The host in turn retransmits the bit just read. Collision detection is performed by comparing the bit and bit complement time-slots. If they are both zero, this indicates that a collision has occurred, indicating multiple devices on the bus. The device decode is achieved in the third transmission of the bit from the host back to the bq2024. If the bit transmitted by the host does not match the bit transmitted by the bq2024, then the device with mismatch stops transmitting. Devices that did match, continue transmitting. This process is continued until all bits of a single device are read. The SEARCH ROM command is reissued and the process is repeated to read additional devices.

**NOTE:**

If the number of devices on the bus is unknown, the SEARCH ROM command should be used.



- A. **B = bit(n)**: nth bit transmitted by bq2024
- B. **C = bit̄(n)**: complement of nth bit transmitted by bq2024
- C. **H = bit(n)**: nth bit transmitted by host

Figure 5. SEARCH ROM Sequence

## SKIP ROM

This SKIP ROM command, CCh, allows the host to access the memory/status functions without issuing the 64-bit ROM code sequence. The SKIP ROM command is directly followed by a memory/status functions command. Because this command can cause bus collisions when multiple SDQ devices are on the same bus, this command should be issued in single device applications.

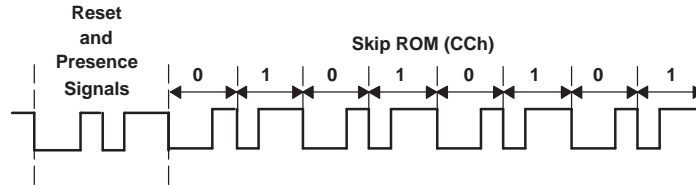


Figure 6. SKIP ROM Sequence

## MEMORY/STATUS FUNCTION COMMANDS

Six memory/status function commands allow read and modification of the 1536-bit EPROM data memory or the 64-bit EPROM status memory. There are two types of READ MEMORY command, plus the WRITE MEMORY, READ STATUS, and WRITE STATUS commands. Additionally, the part responds to a PROGRAM PROFILE byte command. The bq2024 responds to memory/status function commands only after a part is selected by a ROM command.

## READ DATA MEMORY COMMANDS

Two READ MEMORY commands are available on the bq2024. Both commands are used to read data from the 1536-bit EPROM data field. They are the READ MEMORY/Page CRC and the READ MEMORY/Field CRC commands. The READ MEMORY/Page CRC generates CRC at the end any 32-byte page boundary whereas the READ MEMORY/Field CRC generates CRC when the end of the 1536-bit data memory is reached.

## READ MEMORY/Page CRC

To read memory and generate the CRC at the 32-byte page boundaries of the bq2024, the ROM command is followed by the READ MEMORY/Generate CRC command, C3h, followed by the address low byte and then the address high byte.

An 8-bit CRC of the command byte and address bytes is computed by the bq2024 and read back by the host to confirm that the correct command word and starting address were received. If the CRC read by the host is incorrect, a reset pulse must be issued and the entire sequence must be repeated. If the CRC received by the host is correct, the host issues read time slots and receives data from the bq2024 starting at the initial address and continuing until the end of a 32-byte page is reached. At that point, the host sends eight additional read time slots and receive an 8-bit CRC that is the result of shifting into the CRC generator all of the data bytes from the initial starting byte to the last byte of the current page. Once the 8-bit CRC has been received, data is again read from the 1536-bit EPROM data field starting at the next page. This sequence continues until the final page and its accompanying CRC are read by the host. Thus each page of data can be considered to be 33 bytes long, the 32 bytes of user-programmed EPROM data and an 8-bit CRC that gets generated automatically at the end of each page.

|   |   |                           |                             |                     |  |
|---|---|---------------------------|-----------------------------|---------------------|--|
| Initialization and ROM Command Sequence | READ MEMORY/Generate CRC Command<br>C3h | Address Low Byte<br>A0 A7 | Address High Byte<br>A8 A15 | Read and Verify CRC | EPROM Memory and CRC Byte Generated at 32-Byte Page Boundaries |
|---|---|---------------------------|-----------------------------|---------------------|--|

NOTE: Individual bytes of address and data are transmitted LSB first.

Figure 7. READ MEMORY/Page CRC

## READ MEMORY/Field CRC

To read memory without CRC generation on 32-byte page boundaries, the ROM command is followed by the READ MEMORY command, F0h, followed by the address low byte and then the address high byte.

### NOTE:

As shown in [Figure 8](#), individual bytes of address and data are transmitted LSB first.

An 8-bit CRC of the command byte and address bytes is computed by the bq2024 and read back by the host to confirm that the correct command word and starting address were received. If the CRC read by the host is incorrect, a reset pulse must be issued and the entire sequence must be repeated. If the CRC received by the host is correct, the host issues read time slots and receives data from the bq2024 starting at the initial address and continuing until the end of the 1536-bit data field is reached or until a reset pulse is issued. If reading occurs through the end of memory space, the host may issue eight additional read time slots and the bq2024 responds with an 8-bit CRC of all data bytes read from the initial starting byte through the last byte of memory. After the CRC is received by the host, any subsequent read time slots appear as logical 1s until a reset pulse is issued. Any reads ended by a reset pulse prior to reaching the end of memory does not have the 8-bit CRC available.

|   |                         |                        |                                |                     |   |                     |
|---|-------------------------|------------------------|--------------------------------|---------------------|---|---------------------|
| Initialization and ROM Command Sequence | READ MEMORY Command F0h | Address Low Byte<br>A0 | Address High Byte<br>A7 A8 A15 | Read and Verify CRC | Read EPROM Memory Until End of EPROM Memory | Read and Verify CRC |
|---|-------------------------|------------------------|--------------------------------|---------------------|---|---------------------|

**Figure 8. READ MEMORY/Field CRC**

## WRITE MEMORY

The WRITE MEMORY command is used to program the 1536-bit EPROM memory field. The 1536-bit memory field is programmed in 8-byte segments. Data is first written into an 8-byte RAM buffer one byte at a time. The contents of the RAM buffer is then ANDed with the contents of the EPROM memory field when the programming command is issued.

[Figure 9](#) illustrates the sequence of events for programming the EPROM memory field. After issuing a ROM command, the host issues the WRITE MEMORY command, 0Fh, followed by the low byte and then the high byte of the starting address. The bq2024 calculates and transmits an 8-bit CRC based on the WRITE command and address.

If at any time during the WRITE MEMORY process, the CRC read by the host is incorrect, a reset pulse must be issued, and the entire sequence must be repeated.

After the bq2024 transmits the CRC, the host then transmits 8 bytes of data to the bq2024. Another 8-bit CRC is calculated and transmitted based on the 8 bytes of data. If this CRC agrees with the CRC calculated by the host, the host transmits the program command 5Ah and then applies the programming voltage for at least 2500  $\mu$ s or  $t_{\text{EPROG}}$ . The contents of the RAM buffer is then logically ANDed with the contents of the 8-byte EPROM offset by the starting address.

The starting address can be any integer multiple of eight between 0000 and 00BF (hex) such as 0000, 0008, and 0010 (hex).

The WRITE DATA MEMORY command sequence can be terminated at any point by issuing a reset pulse except during the program pulse period  $t_{\text{PROG}}$ .

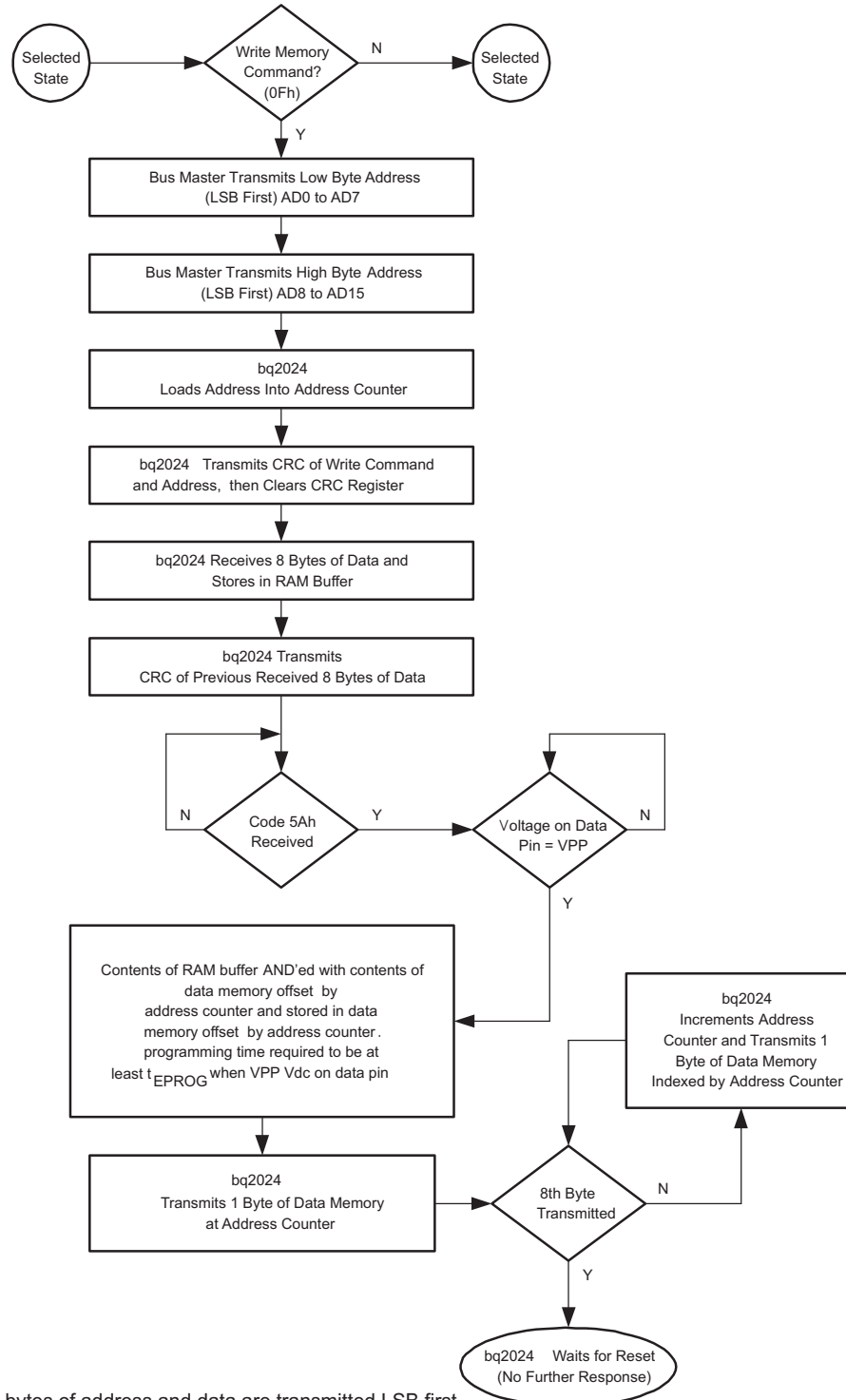
### NOTE:

The bq2024 responds with the data from the selected EPROM address sent least significant-bit first. This response should be checked to verify the programmed byte. If the programmed byte is incorrect, then the host must reset the part and begin the write sequence again.



For both of these cases, the decision to continue programming is made entirely by the host, because the bq2024 is not able to determine if the 8-bit CRC calculated by the host agrees with the 8-bit CRC calculated by the bq2024.

Prior to programming, bits in the 1536-bit EPROM data field appear as logical 1s.



NOTE: Individual bytes of address and data are transmitted LSB first

Figure 9. WRITE MEMORY Command Flow

## READ STATUS

The READ STATUS command is used to read data from the EPROM status data field. After issuing a ROM command, the host issues the READ STATUS command, AAh, followed by the address low byte and then the address high byte.

### NOTE:

An 8-bit CRC of the command byte and address bytes is computed by the bq2024 and read back by the host to confirm that the correct command word and starting address were received.

If the CRC read by the host is incorrect, a reset pulse must be issued and the entire sequence must be repeated. If the CRC received by the host is correct, the host issues read time slots and receives data from the bq2024 starting at the supplied address and continuing until the end of the EPROM Status data field is reached. At that point, the host receives an 8-bit CRC that is the result of shifting into the CRC generator all of the data bytes from the initial starting byte through the final factory-programmed byte that contains the 00h value.

This feature is provided because the EPROM status information may change over time making it impossible to program the data once and include an accompanying CRC that is always valid. Therefore, the READ status command supplies an 8-bit CRC that is based on (and always is consistent with) the current data stored in the EPROM status data field.

After the 8-bit CRC is read, the host receives logical 1s from the bq2024 until a reset pulse is issued. The READ STATUS command sequence can be ended at any point by issuing a reset pulse.

|   |                         |                           |                             |                     |   |                     |
|---|-------------------------|---------------------------|-----------------------------|---------------------|---|---------------------|
| Initialization and ROM Command Sequence | READ MEMORY Command AAh | Address Low Byte<br>A0 A7 | Address High Byte<br>A8 A15 | Read and Verify CRC | Read STATUS Memory Until End of STATUS Memory | Read and Verify CRC |
|---|-------------------------|---------------------------|-----------------------------|---------------------|---|---------------------|

**Figure 10. READ STATUS Command**

## WRITE STATUS

The Write Status command is used to program the EPROM Status data field after the bq2024 has been selected by a ROM command

The flow chart in [Figure 11](#) illustrates that the host issues the Write Status command, 55h, followed by the address low byte and then the address high byte the followed by the byte of data to be programmed.

### NOTE:

Individual bytes of address and data are transmitted LSB first. An 8-bit CRC of the command byte, address bytes, and data byte is computed by the bq2024 and read back by the host to confirm that the correct command word, starting address, and data byte were received.

If the CRC read by the host is incorrect, a reset pulse must be issued and the entire sequence must be repeated. If the CRC received by the host is correct, the program command (5Ah) is issued. After the program command is issued, then the programming voltage,  $V_{PP}$  is applied to the DATA pin for period  $t_{PROG}$ . Prior to programming, the first seven bytes of the EPROM STATUS data field appear as logical 1s. For each bit in the data byte provided by the host that is set to a logical 0, the corresponding bit in the selected byte of the EPROM STATUS data field is programmed to a logical 0 after the programming pulse has been applied at the byte location. The eighth byte of the EPROM STATUS byte data field is factory-programmed to contain 00h.

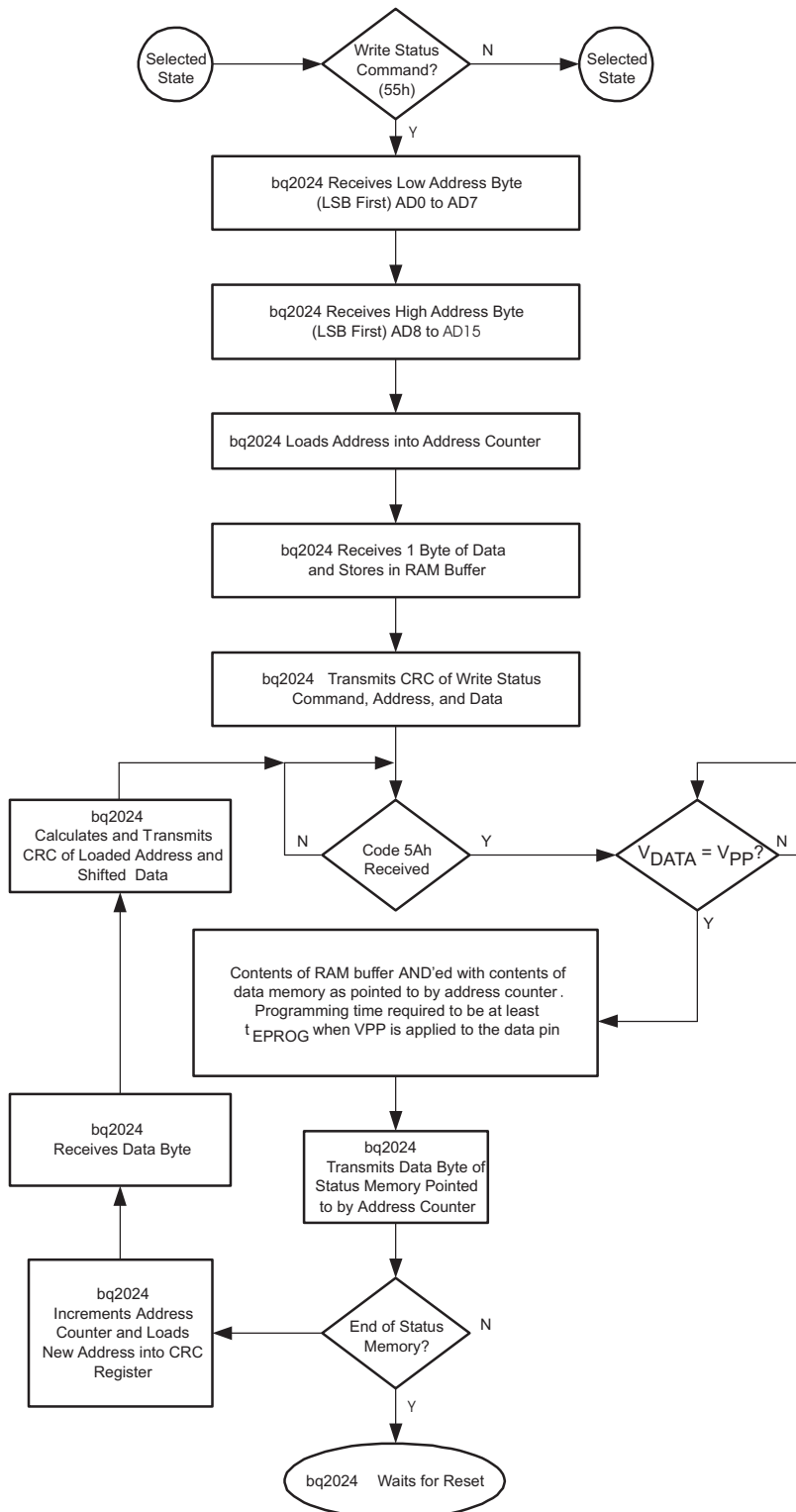


Figure 11. WRITE STATUS Command Flow

After the programming pulse is applied and the data line returns to  $V_{PU}$ , the host issues eight read time slots to verify that the appropriate bits have been programmed. The bq2024 responds with the data from the selected EPROM STATUS address sent least significant bit first. This response should be checked to verify the programmed byte. If the programmed byte is incorrect, then the host must reset the device and begin the write sequence again. If the bq2024 EPROM data byte programming was successful, the bq2024 automatically increments its address counter to select the next byte in the STATUS MEMORY data field. The least significant byte of the new two-byte address is also loaded into the 8-bit CRC generator as a starting value. The host issues the next byte of data using eight write time slots.

As the bq2024 receives this byte of data into the RAM buffer, it also shifts the data into the CRC generator that has been preloaded with the LSB of the current address and the result is an 8-bit CRC of the new data byte and the LSB of the new address. After supplying the data byte, the host reads this 8-bit CRC from the bq2024 with eight read time slots to confirm that the address incremented properly and the data byte was received correctly. If the CRC is incorrect, a Reset Pulse must be issued and the Write Status command sequence must be restarted. If the CRC is correct, the host issues a programming pulse and the selected byte in memory is programmed.

#### NOTE:

The initial write of the WRITE STATUS command, generates an 8-bit CRC value that is the result of shifting the command byte into the CRC generator, followed by the two-address bytes, and finally the data byte. Subsequent writes within this WRITE STATUS command due to the bq2024 automatically incrementing its address counter generates an 8-bit CRC that is the result of loading (not shifting) the LSB of the new (incremented) address into the CRC generator and then shifting in the new data byte.

For both of these cases, the decision to continue programming the EPROM Status registers is made entirely by the host, because the bq2024 is not able to determine if the 8-bit CRC calculated by the host agrees with the 8-bit CRC calculated by the bq2024. If an incorrect CRC is ignored and a program pulse is applied by the host, incorrect programming could occur within the bq2024. Also note that the bq2024 always increments its internal address counter after the receipt of the eight read time slots used to confirm the programming of the selected EPROM byte. The decision to continue is again made entirely by the host, therefore if the EPROM data byte does not match the supplied data byte but the master continues with the WRITE STATUS command, incorrect programming could occur within the bq2024. The WRITE STATUS command sequence can be ended at any point by issuing a reset pulse.

**Table 3. Command Code Summary**

| COMMAND (HEX) | DESCRIPTION                    | CATEGORY  |
|---------------|--------------------------------|---|
| 33h           | Read Serialization ROM and CRC | ROM Commands Available in Command Level I                             |
| 55h           | Match Serialization ROM        |   |
| F0h           | Search Serialization ROM       |   |
| CCh           | Skip Serialization ROM         |   |
| F0h           | Read Memory/Field CRC          | Memory Function Commands Available in Command Level II                |
| AAh           | Read EPROM Status              |   |
| C3h           | Read Memory/Page CRC           |   |
| 0Fh           | Write Memory                   |   |
| 99h           | Programming Profile            |   |
| 55h           | Write EPROM Status             | Program Command Available Only in WRITE MEMORY and WRITE STATUS Modes |
| 5Ah           | Program Control                |   |

## PROGRAM PROFILE BYTE

The PROGRAM PROFILE byte is read to determine the WRITE MEMORY programming sequence required by a specific manufacturer. After issuing a ROM command, the host issues the PROGRAM PROFILE BYTE command, 99h. Figure 12 shows the the bq2024 responds with 55h. This informs the host that the WRITE MEMORY programming sequence is the one described in the WRITE MEMORY command section of this data sheet.

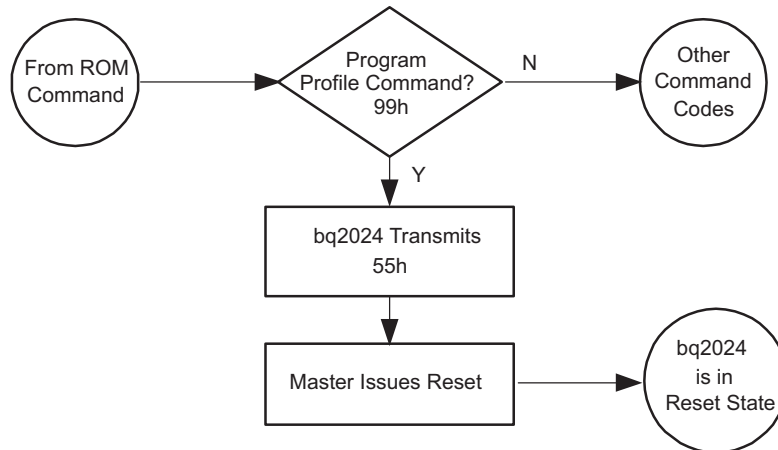


Figure 12. PROGRAM PROFILE Command Flow

## SDQ SIGNALING

All SDQ signaling begins with initializing the device, followed by the host driving the bus low to write a 1 or 0, or to begin the start frame for a bit read. Figure 13 shows the initialization timing, whereas Figure 14 and Figure 15 show that the host initiates each bit by driving the DATA bus low for the start period,  $t_{WSTRB}$  /  $t_{RSTRB}$ . After the bit is initiated, either the host continues controlling the bus during a WRITE, or the bq2024 responds during a READ.

## RESET AND PRESENCE PULSE

If the DATA bus is driven low for more than 120  $\mu$ s, the bq2024 may be reset. Figure 13 shows that if the DATA bus is driven low for more than 480  $\mu$ s, the bq2024 resets and indicates that it is ready by responding with a PRESENCE PULSE.

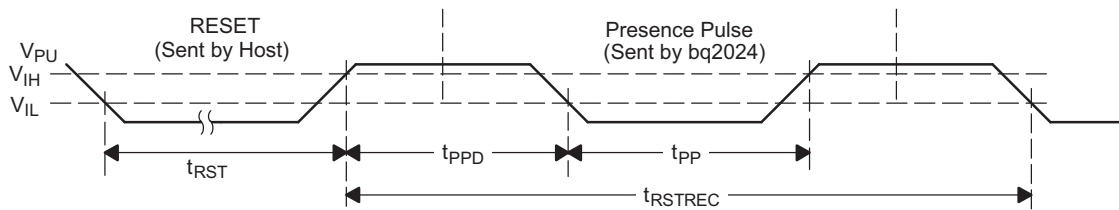


Figure 13. Reset Timing Diagram

## WRITE

The WRITE bit timing diagram in Figure 14 shows that the host initiates the transmission by issuing the  $t_{WSTRB}$  portion of the bit and then either driving the DATA bus low for a WRITE 0, or releasing the DATA bus for a WRITE 1.

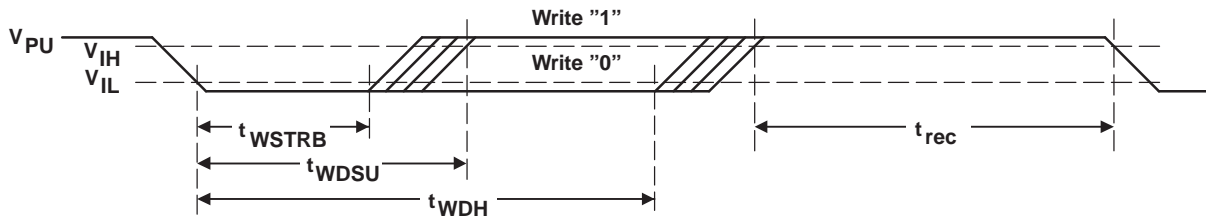


Figure 14. Write Bit Timing Diagram

### READ

The READ bit timing diagram in Figure 15 shows that the host initiates the transmission of the bit by issuing the  $t_{RSTRB}$  portion of the bit. The bq2024 then responds by either driving the DATA bus low to transmit a READ 0 or releasing the DATA bus to transmit a READ 1.

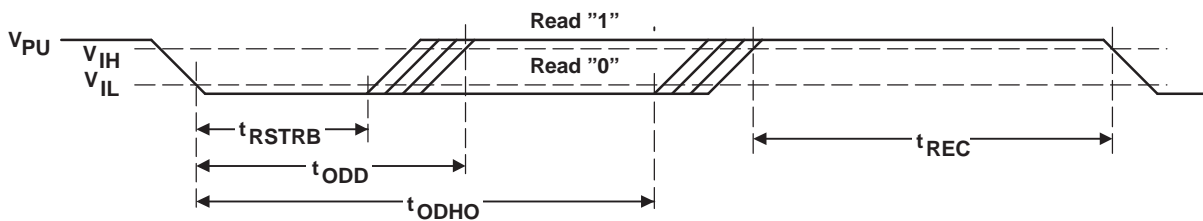


Figure 15. Read Bit Timing Diagram

### PROGRAM PULSE

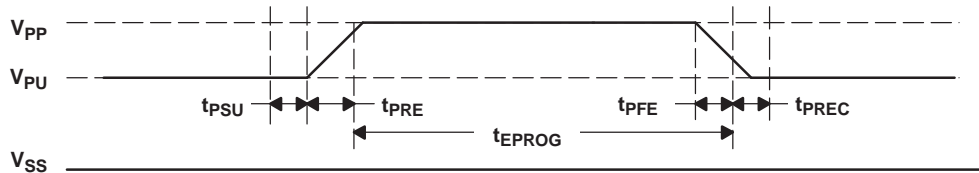


Figure 16. Program Pulse Timing Diagram

### IDLE

If the bus is high, the bus is in the IDLE state. Bus transactions can be suspended by leaving the DATA bus in IDLE. Bus transactions can resume at any time from the IDLE state.

### CRC Generation

The bq2024 has an 8-bit CRC stored in the most significant byte of the 64-bit ROM. The bus master can compute a CRC value from the first 56 bits of the 64-bit ROM and compare it to the value stored within the bq2024 to determine if the ROM data has been received error-free by the bus master. The equivalent polynomial function of this CRC is:  $X^8 + X^5 + X^4 + 1$ .

Under certain conditions, the bq2024 also generates an 8-bit CRC value using the same polynomial function just shown and provides this value to the bus master to validate the transfer of command, address, and data bytes from the bus master to the bq2024. The bq2024 computes an 8-bit CRC for the command, address, and data bytes received for the WRITE MEMORY and the WRITE STATUS commands and then outputs this value to the bus master to confirm proper transfer. Similarly, the bq2024 computes an 8-bit CRC for the command and address bytes received from the bus master for the READ MEMORY, READ STATUS, and READ DATA/GENERATE 8-BIT CRC commands to confirm that these bytes have been received correctly. The CRC generator on the bq2024 is also used to provide verification of error-free data transfer as each page of data from the 1536-bit EPROM is sent to the bus master during a READ DATA/GENERATE 8-BIT CRC command, and for the eight bytes of information in the status memory field.

In each case where a CRC is used for data transfer validation, the bus master must calculate a CRC value using the polynomial function previously given and compare the calculated value to either the 8-bit CRC value stored in the 64-bit ROM portion of the bq2024 (for ROM reads) or the 8-bit CRC value computed within the bq2024. The comparison of CRC values and decision to continue with an operation are determined entirely by the bus master. No circuitry on the bq2024 prevents a command sequence from proceeding if the CRC stored in or calculated by the bq2024 does not match the value generated by the bus master. Proper use of the CRC can result in a communication channel with a high level of integrity.

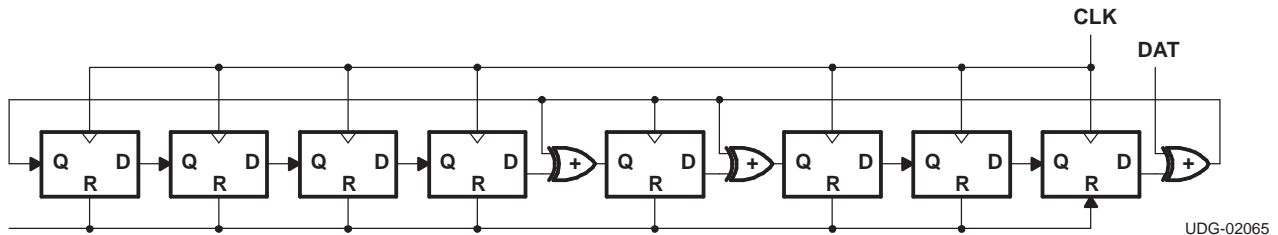
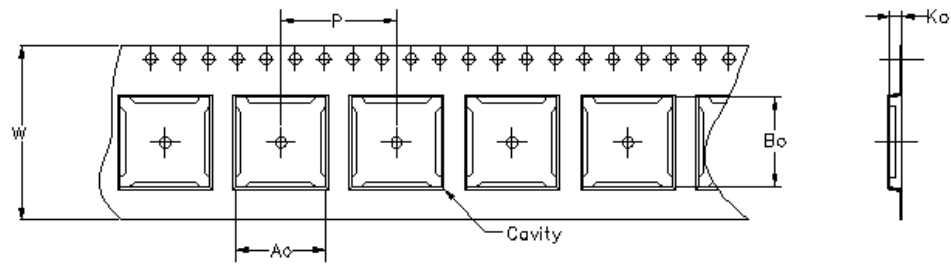
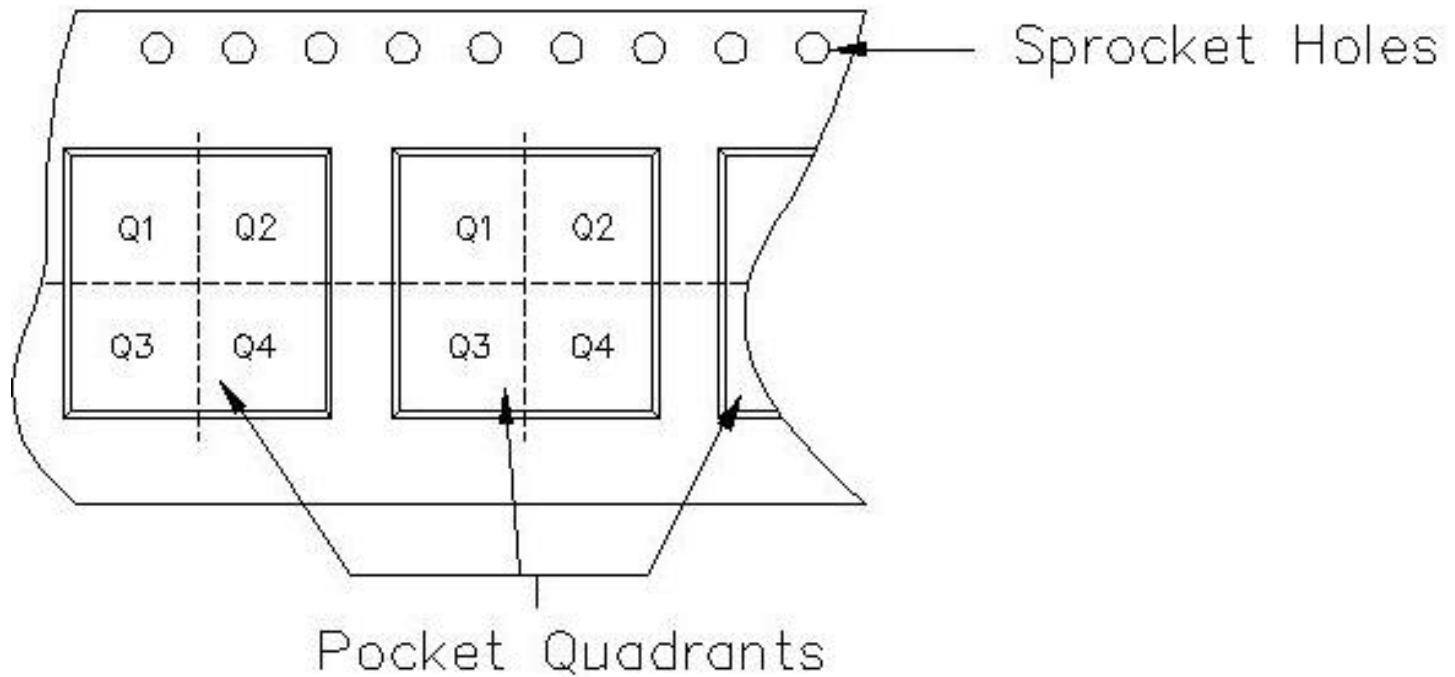


Figure 17. 8-Bit CRC Generator Circuit ( $X^8 + X^5 + X^4 + 1$ )



Carrier tape design is defined largely by the component length, width, and thickness.

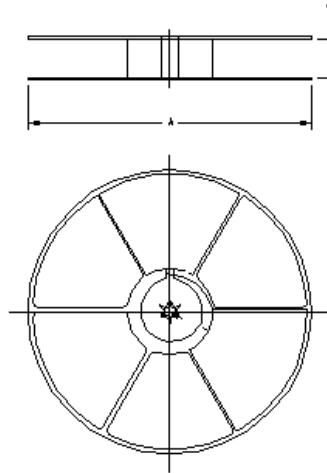
|   |
|---|
| Ao = Dimension designed to accommodate the component width.     |
| Bo = Dimension designed to accommodate the component length.    |
| Ko = Dimension designed to accommodate the component thickness. |
| W = Overall width of the carrier tape.                          |
| P = Pitch between successive cavity centers.                    |



TAPE AND REEL INFORMATION

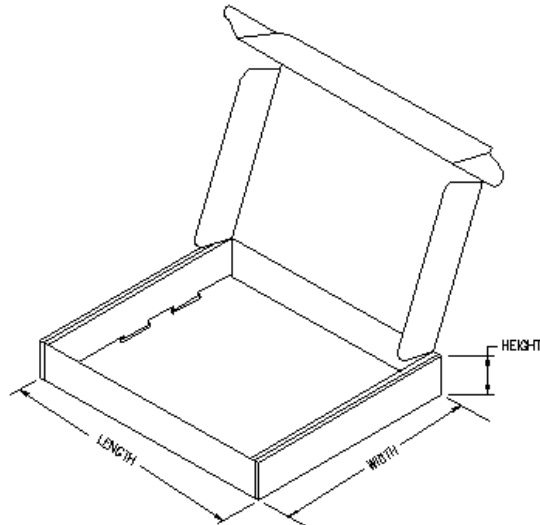


| Device     | Package | Pins | Site | Reel Diameter (mm) | Reel Width (mm) | A0 (mm) | B0 (mm) | K0 (mm) | P1 (mm) | W (mm) | Pin1 Quadrant |
|------------|---------|------|------|--------------------|-----------------|---------|---------|---------|---------|--------|---------------|
| BQ2024DBZR | DBZ     | 3    | NSE  | 179                | 8               | 3.15    | 2.95    | 1.22    | 4       | 8      | NONE          |



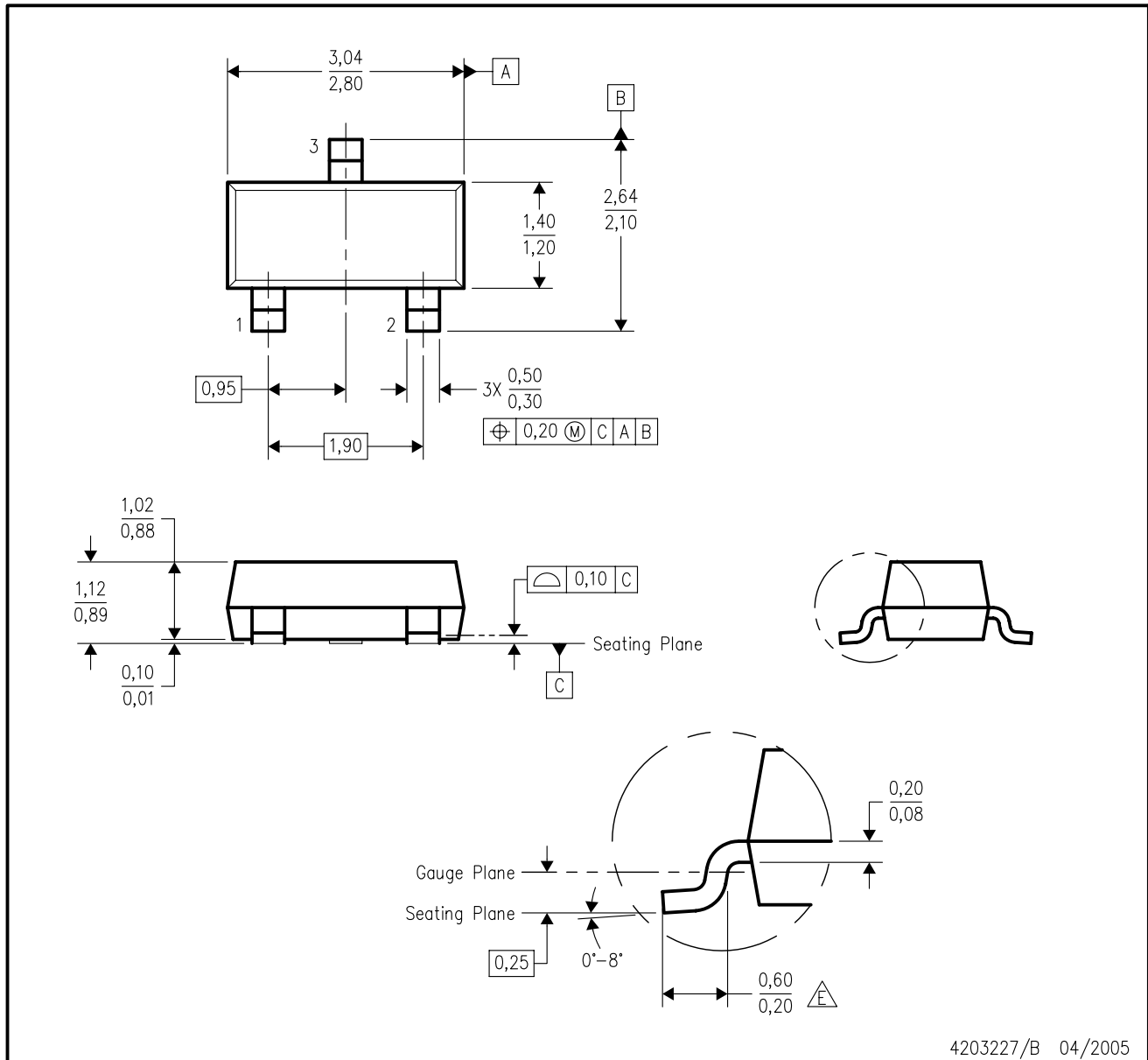
**TAPE AND REEL BOX INFORMATION**

| Device     | Package | Pins | Site | Length (mm) | Width (mm) | Height (mm) |
|------------|---------|------|------|-------------|------------|-------------|
| BQ2024DBZR | DBZ     | 3    | NSE  | 195.0       | 200.0      | 45.0        |



DBZ (R-PDSO-G3)

PLASTIC SMALL-OUTLINE



- NOTES:
- A. All linear dimensions are in millimeters. Dimensioning and tolerancing per ASME Y14.5M-1994.
  - B. This drawing is subject to change without notice.
  - C. Lead dimensions are inclusive of plating.
  - D. Body dimensions are exclusive of mold flash and protrusion. Mold flash and protrusion not to exceed 0.25 per side.
- Falls within JEDEC TO-236 variation AB, except minimum foot length.

## IMPORTANT NOTICE

Texas Instruments Incorporated and its subsidiaries (TI) reserve the right to make corrections, modifications, enhancements, improvements, and other changes to its products and services at any time and to discontinue any product or service without notice. Customers should obtain the latest relevant information before placing orders and should verify that such information is current and complete. All products are sold subject to TI's terms and conditions of sale supplied at the time of order acknowledgment.

TI warrants performance of its hardware products to the specifications applicable at the time of sale in accordance with TI's standard warranty. Testing and other quality control techniques are used to the extent TI deems necessary to support this warranty. Except where mandated by government requirements, testing of all parameters of each product is not necessarily performed.

TI assumes no liability for applications assistance or customer product design. Customers are responsible for their products and applications using TI components. To minimize the risks associated with customer products and applications, customers should provide adequate design and operating safeguards.

TI does not warrant or represent that any license, either express or implied, is granted under any TI patent right, copyright, mask work right, or other TI intellectual property right relating to any combination, machine, or process in which TI products or services are used. Information published by TI regarding third-party products or services does not constitute a license from TI to use such products or services or a warranty or endorsement thereof. Use of such information may require a license from a third party under the patents or other intellectual property of the third party, or a license from TI under the patents or other intellectual property of TI.

Reproduction of TI information in TI data books or data sheets is permissible only if reproduction is without alteration and is accompanied by all associated warranties, conditions, limitations, and notices. Reproduction of this information with alteration is an unfair and deceptive business practice. TI is not responsible or liable for such altered documentation. Information of third parties may be subject to additional restrictions.

Resale of TI products or services with statements different from or beyond the parameters stated by TI for that product or service voids all express and any implied warranties for the associated TI product or service and is an unfair and deceptive business practice. TI is not responsible or liable for any such statements.

TI products are not authorized for use in safety-critical applications (such as life support) where a failure of the TI product would reasonably be expected to cause severe personal injury or death, unless officers of the parties have executed an agreement specifically governing such use. Buyers represent that they have all necessary expertise in the safety and regulatory ramifications of their applications, and acknowledge and agree that they are solely responsible for all legal, regulatory and safety-related requirements concerning their products and any use of TI products in such safety-critical applications, notwithstanding any applications-related information or support that may be provided by TI. Further, Buyers must fully indemnify TI and its representatives against any damages arising out of the use of TI products in such safety-critical applications.

TI products are neither designed nor intended for use in military/aerospace applications or environments unless the TI products are specifically designated by TI as military-grade or "enhanced plastic." Only products designated by TI as military-grade meet military specifications. Buyers acknowledge and agree that any such use of TI products which TI has not designated as military-grade is solely at the Buyer's risk, and that they are solely responsible for compliance with all legal and regulatory requirements in connection with such use.

TI products are neither designed nor intended for use in automotive applications or environments unless the specific TI products are designated by TI as compliant with ISO/TS 16949 requirements. Buyers acknowledge and agree that, if they use any non-designated products in automotive applications, TI will not be responsible for any failure to meet such requirements.

Following are URLs where you can obtain information on other Texas Instruments products and application solutions:

| <b>Products</b>    |  | <b>Applications</b> |  |
|--------------------|--|---------------------|--|
| Amplifiers         | <a href="http://amplifier.ti.com">amplifier.ti.com</a>             | Audio               | <a href="http://www.ti.com/audio">www.ti.com/audio</a>                   |
| Data Converters    | <a href="http://dataconverter.ti.com">dataconverter.ti.com</a>     | Automotive          | <a href="http://www.ti.com/automotive">www.ti.com/automotive</a>         |
| DSP                | <a href="http://dsp.ti.com">dsp.ti.com</a>                         | Broadband           | <a href="http://www.ti.com/broadband">www.ti.com/broadband</a>           |
| Interface          | <a href="http://interface.ti.com">interface.ti.com</a>             | Digital Control     | <a href="http://www.ti.com/digitalcontrol">www.ti.com/digitalcontrol</a> |
| Logic              | <a href="http://logic.ti.com">logic.ti.com</a>                     | Military            | <a href="http://www.ti.com/military">www.ti.com/military</a>             |
| Power Mgmt         | <a href="http://power.ti.com">power.ti.com</a>                     | Optical Networking  | <a href="http://www.ti.com/opticalnetwork">www.ti.com/opticalnetwork</a> |
| Microcontrollers   | <a href="http://microcontroller.ti.com">microcontroller.ti.com</a> | Security            | <a href="http://www.ti.com/security">www.ti.com/security</a>             |
| RFID               | <a href="http://www.ti-rfid.com">www.ti-rfid.com</a>               | Telephony           | <a href="http://www.ti.com/telephony">www.ti.com/telephony</a>           |
| Low Power Wireless | <a href="http://www.ti.com/lpw">www.ti.com/lpw</a>                 | Video & Imaging     | <a href="http://www.ti.com/video">www.ti.com/video</a>                   |
|                    |  | Wireless            | <a href="http://www.ti.com/wireless">www.ti.com/wireless</a>             |