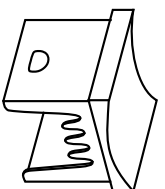
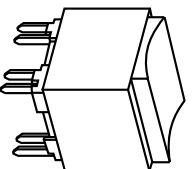
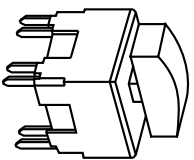
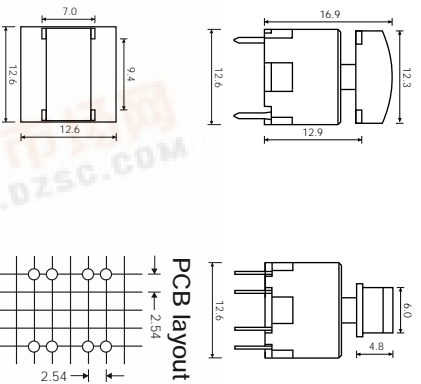


unimec 16300/16700/16800

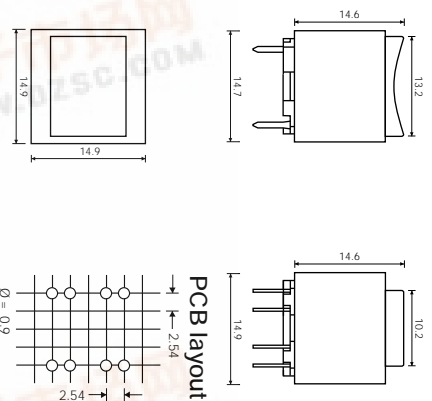


- Technical Data:**
- 250mA/120V/9W AC/6W DC
 - 2 pole
 - momentary or alternate
 - 8 contact functions
 - temperature range:
low temp: -40/+75°C
high temp: -40/+160°C
 - through-hole only

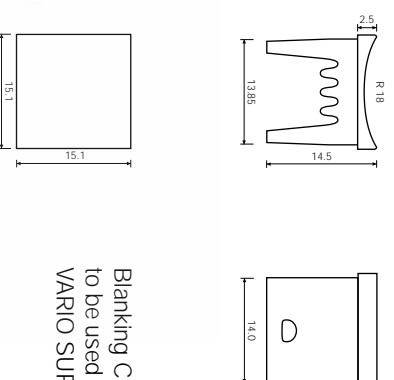
Dimensions 16300:



Dimensions 16700:



Dimensions 16800:



Blanking Cap
to be used with
VARIO SUPPORT

HOW TO ORDER

1 5

+

1 6 3 0 1 0

Switch

- 15501 mom. silver
- 15551 alt. silver
- 15502 mom. gold
- 15552 alt. gold
- 15500 silent silver
- 15401 mom. silver
- high temp.
- 15451 alt. silver
- high temp.

Cap

- 00 blue
- 01 brown
- 02 green
- 03 grey
- 04 yellow
- 05 golden
- 06 white
- 07 orange
- 08 red
- 09 black



1 5

+

1 6 7 0 1 0

Switch



Cap

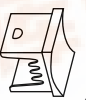


- 00 blue
- 02 green
- 03 grey
- 04 yellow
- 06 white
- 08 red
- 09 black

1 6 8 0 1 0

Blanking Cap

- 00 blue
- 01 brown
- 02 green
- 03 grey
- 04 yellow
- 05 golden
- 06 white
- 07 orange
- 08 red
- 09 black
- 11 transparent
- 12 transparent green
- 14 transparent yellow
- 18 transparent red



Ordering example: 15551 + 1670009

咨询"1550103"供应商

MEC · Industriparken 23 · P.O. BOX 26 · DK-2750 Ballerup · Denmark
Tel.: +45 44 97 33 66 · Fax: +45 44 68 15 14 · Web: <http://www.mec.dk> · E-mail: dannmec@mec.dk