

Reflection light beam switch with polarisation filter

ML4.1-54-F/.../95/110

with M8, 4-pin metal connector

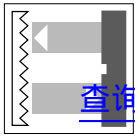
CE



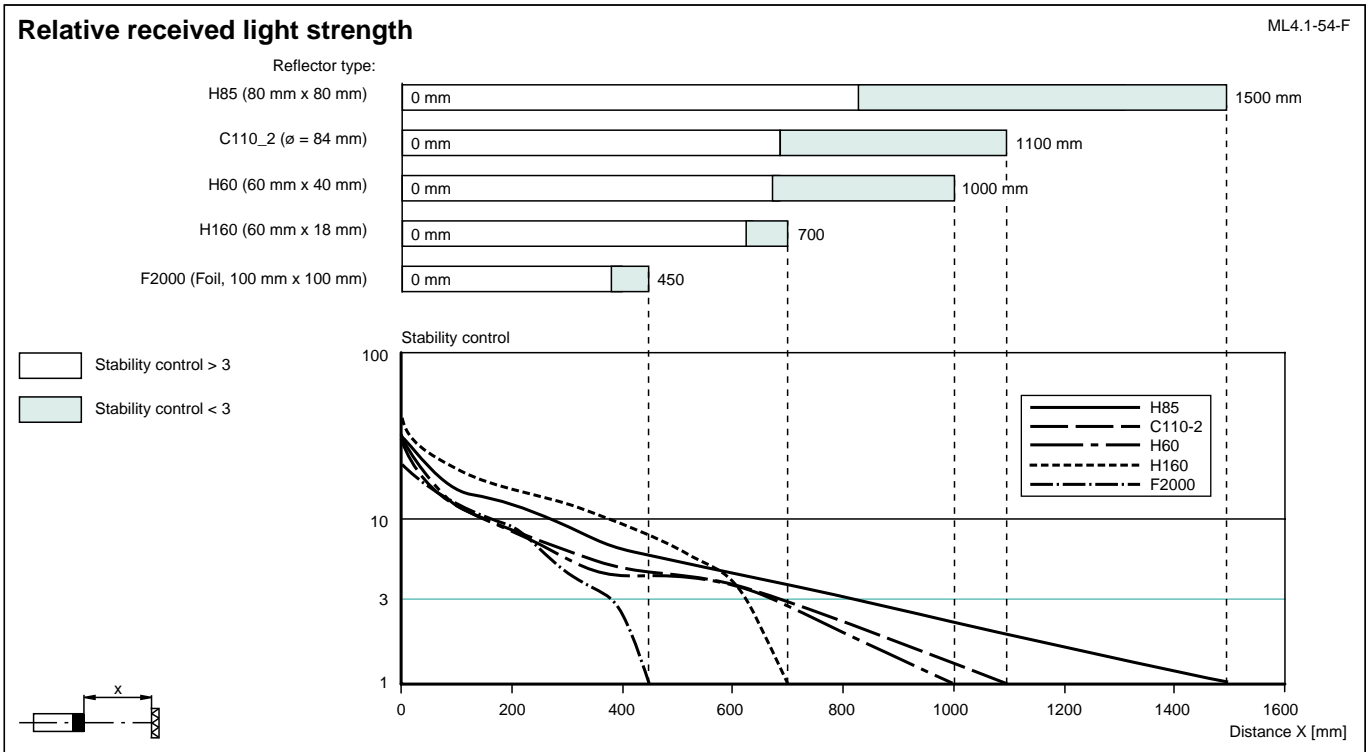
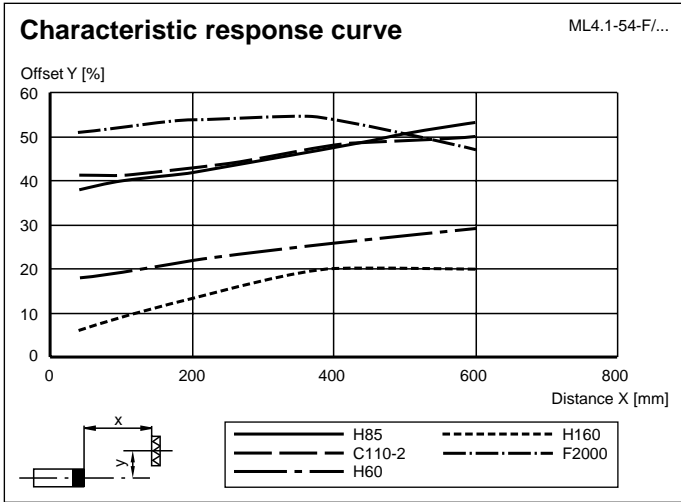
- ◆ Detection range up to 1000 mm
- ◆ Miniature design
- ◆ Push-pull output
- ◆ Polarisation filters
- ◆ Coaxial optical system

For suitable cable sockets, reflectors and mounting aids refer to chapter "accessories".

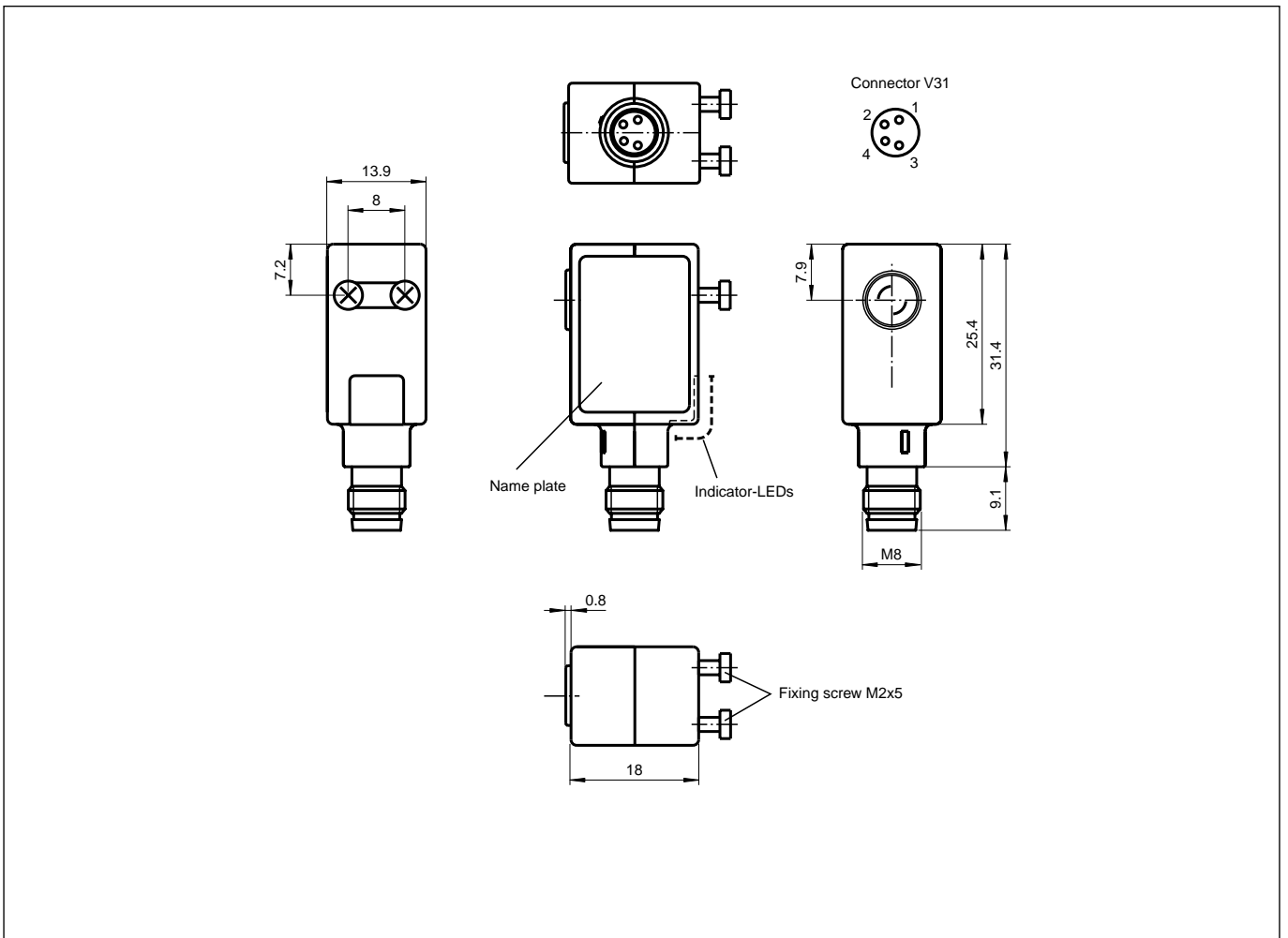
Ordering code		ML4.1-54-F/40b/95/110	ML4.1-54-F/82b/95/110
Effective detection range	0 ... 400 mm	◆	◆
Threshold detection range	1000 mm (with H60 reflector)	◆	◆
Reflector distance	0 ... 400 mm	◆	◆
Light source	LED	◆	◆
Light type	Red, alternating light	◆	◆
Angle of divergence	approx. 3 °	◆	◆
Diameter of the light spot	20 mm	◆	◆
Ambient light limit	100000 Lux	◆	◆
Approvals	CE	◆	◆
Standard conformity	EN 60947-5-2	◆	◆
Operating display	LED, green Power on	◆	◆
Function display	LED yellow, lights up when light beam is free. Flashes when falling short of the stability control	◆	◆
Operating voltage	10 ... 30 V DC	◆	◆
Ripple	10 %	◆	◆
No-load supply current	25 mA	◆	◆
Signal output	Push-pull output, short-circuit proof, protected against reverse polarity	◆	◆
Switching type	dark ON		◆
	light/dark switching	◆	
Switching voltage	max. 30 V DC	◆	◆
Switching current	max. 200 mA	◆	◆
Switching frequency	500 Hz	◆	◆
Response time	1 ms	◆	◆
Output of the pre-fault indication	1 pnp		◆
Test input			
Ambient temperature	-20 ... 60 °C	◆	◆
Storage temperature	-20 ... 75 °C	◆	◆
Protection degree	IP65	◆	◆
Connection type	4-pin, M8 connector	◆	◆
Housing	ABS GV5	◆	◆
Light exit	Glass	◆	◆
Mass	15 g	◆	◆



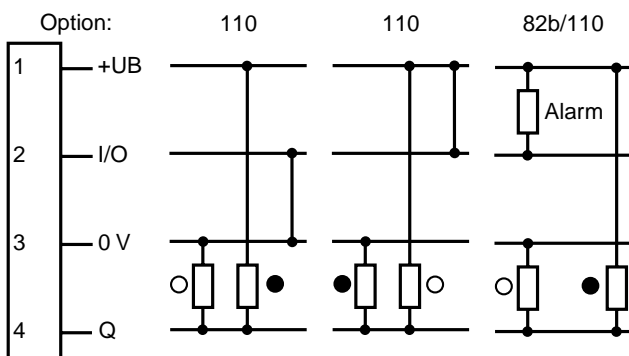
Diagrams



Dimensions



Electrical Connection



○ = Light ON, ● = Dark ON