

40 PIN SMD ETHERNET 10/100 BASE QUAD PORT TRANSFORMER
PN:40ST1042 DATA SHEET

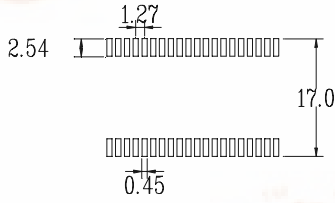
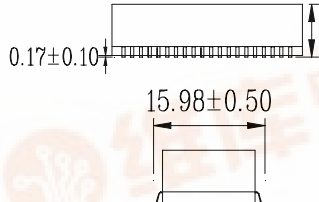
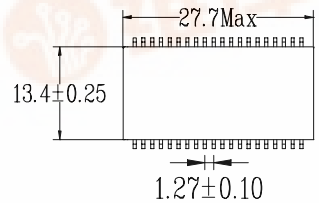
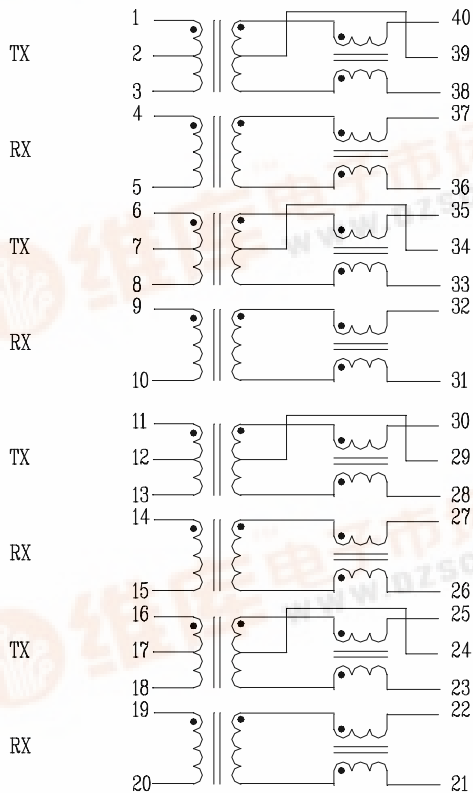
A.GENERAL SPECIFICATIONS

- 1.IEEE 802.3 ETHERNET COMPATIBLE, 100 BASE-TX
- 2.SURFACE MOUNTABLE
- 3.DESIGN FOR MULTIPORT REPEATER AND ETHERNET SWITCHING HUB APPLICATION
- 4.CUSTOMER DESIGNS AVAILABLE FOR SPECIFIC APPLICATION

B.ELECTRICAL SPECIFICATIONS @ 25°C

- 1.ISOLATION HI-POT: 1500 Vrms (PRI. /SEC.)
- 2.INSULATION RESISTANCE: 10,000 MOHM
- 3.TURN RATIO (± 5%): TX=2CT: 1CT, RX=1:1
- 4.PRI./SEC. Cw/w):28pF Max
- 5.TX/X L/L (uH Max): 1.3 /0.5
- 6.Pri.DCR □□□Max): TX=0.9,RX=0.9
- 7.CROSSTALKS (dB Min): -38 AT 1MHz-100 MHz
- 8.CMRR (dB Min): -40 AT 1MHz-100 MHz
- 9.OCL (uH,Min): 150 at 8mA DC FORM 0-70°C
- 10.INSERTION LOSS: -1.1dB Max @ 1-100MHz
- 11.RETURN LOSS: 0.5-30MHz 40MHz 50MHz 60-80MHz
 -18dB -15.5dB -13.6dB -12dB (Min)

C.SCHEMATIC & DIMENSIONS & MARKING (UNIT mm):



Suggest pad layout
 TOLERANCE: ±0.25

