

OBS6000-L2-..-V1

[查询"51067"供应商](#)

Series
VariKont®

Reflection light beam switch

OBS6000-L2-..-V1

with 4-pin, M12 connector

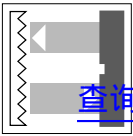
CE



- ◆ Detection range up to 6 m
- ◆ Glare protected with polarisation filter
- ◆ Visible red light
- ◆ Protection degree IP67
- ◆ Positioning of the sensor head is possible in two planes
- ◆ Multitude of mounting possibilities
- ◆ Mounting only with one tool: the screwdriver
- ◆ Light/dark ON, programmable

For suitable cable sockets, reflectors and mounting aids refer to chapter "accessories".

| Ordering code | | OBS6000-L2-E0-V1 | OBS6000-L2-E2-V1 | OBS6000-L2-E4-V1 | OBS6000-L2-E5-V1 |
|--------------------------------|--|------------------|------------------|------------------|------------------|
| Effective detection range | 0 ... 6000 mm | ◆ | ◆ | ◆ | ◆ |
| Reflector range | 600 ... 6000 mm | ◆ | ◆ | ◆ | ◆ |
| Reference target | H85 reflector | ◆ | ◆ | ◆ | ◆ |
| Light source | LED | ◆ | ◆ | ◆ | ◆ |
| Light type | Red, alternating light | ◆ | ◆ | ◆ | ◆ |
| Ambient light limit | 15000 Lux | ◆ | ◆ | ◆ | ◆ |
| Standard conformity | EN 60947-5-2 | ◆ | ◆ | ◆ | ◆ |
| Approvals | CE | ◆ | ◆ | ◆ | ◆ |
| Function display | LED yellow: switching state LED red: pre-fault indication | ◆ | ◆ | ◆ | ◆ |
| Controls | sensitivity adjuster | ◆ | ◆ | ◆ | ◆ |
| Operating voltage | 10 ... 30 V DC | ◆ | ◆ | ◆ | ◆ |
| Ripple | 10 % | ◆ | ◆ | ◆ | ◆ |
| No-load supply current | ≤ 20 mA | ◆ | ◆ | ◆ | ◆ |
| Time delay before availability | ≤ 20 ms | ◆ | ◆ | ◆ | ◆ |
| Signal output | 1 switch output npn, NO | ◆ | | | |
| | 1 switch output pnp, NO | | ◆ | | |
| | 1 switch output, npn, NO/NC | | | ◆ | |
| | 1 switch output pnp, NC/NO | | | | ◆ |
| Switching type | dark ON | ◆ | ◆ | | |
| | light/dark switching | | | ◆ | ◆ |
| Switching voltage | max. 30 V DC | ◆ | ◆ | ◆ | ◆ |
| Switching current | max. 250 mA | ◆ | ◆ | ◆ | ◆ |
| Voltage drop | ≤ 1.5 V | ◆ | ◆ | ◆ | ◆ |
| Switching frequency | ≤ 200 Hz | ◆ | ◆ | ◆ | ◆ |
| Response time | ≤ 2.5 ms | ◆ | ◆ | ◆ | ◆ |
| Ambient temperature | -25 ... +70 °C | ◆ | ◆ | ◆ | ◆ |
| Storage temperature | -40 ... +80 °C | ◆ | ◆ | ◆ | ◆ |
| Protection degree | IP67 | ◆ | ◆ | ◆ | ◆ |
| Connection type | Connector M12 x 1, 4-pin | ◆ | ◆ | ◆ | ◆ |
| Housing | PBT | ◆ | ◆ | ◆ | ◆ |
| Light exit | Scratch resistant plastic lens | ◆ | ◆ | ◆ | ◆ |
| Mass | 60 g | ◆ | ◆ | ◆ | ◆ |

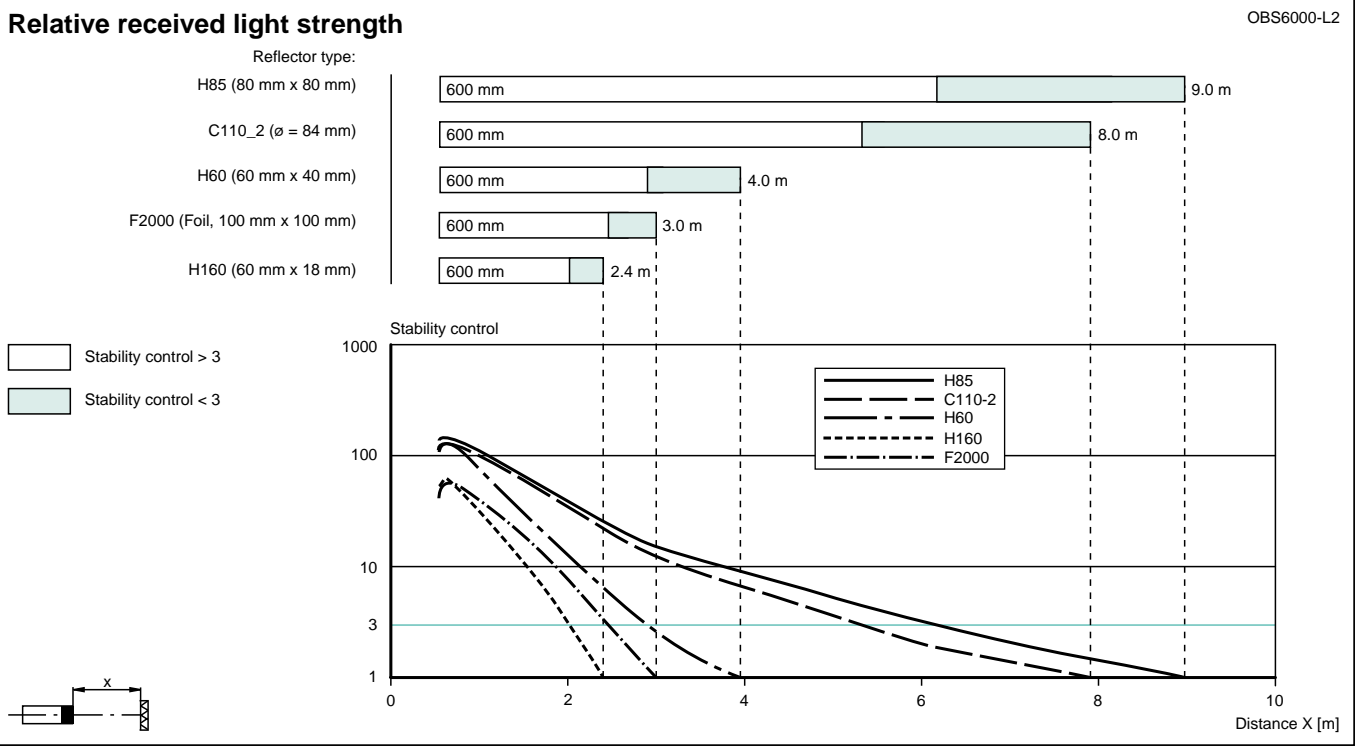
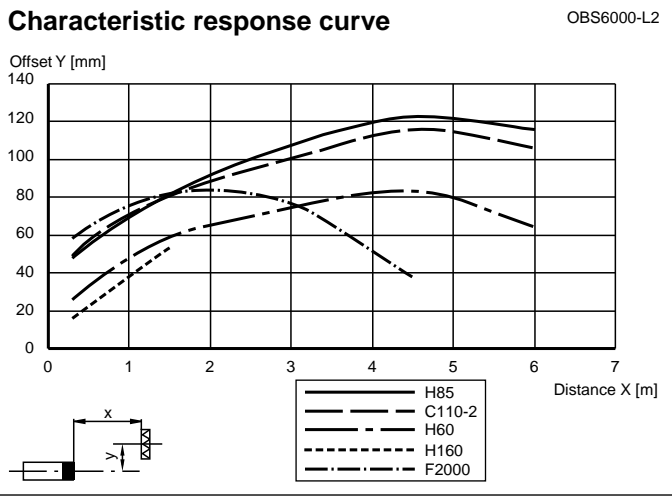


OBS6000-L2-.-V1

[查询"51067"供应商](#)

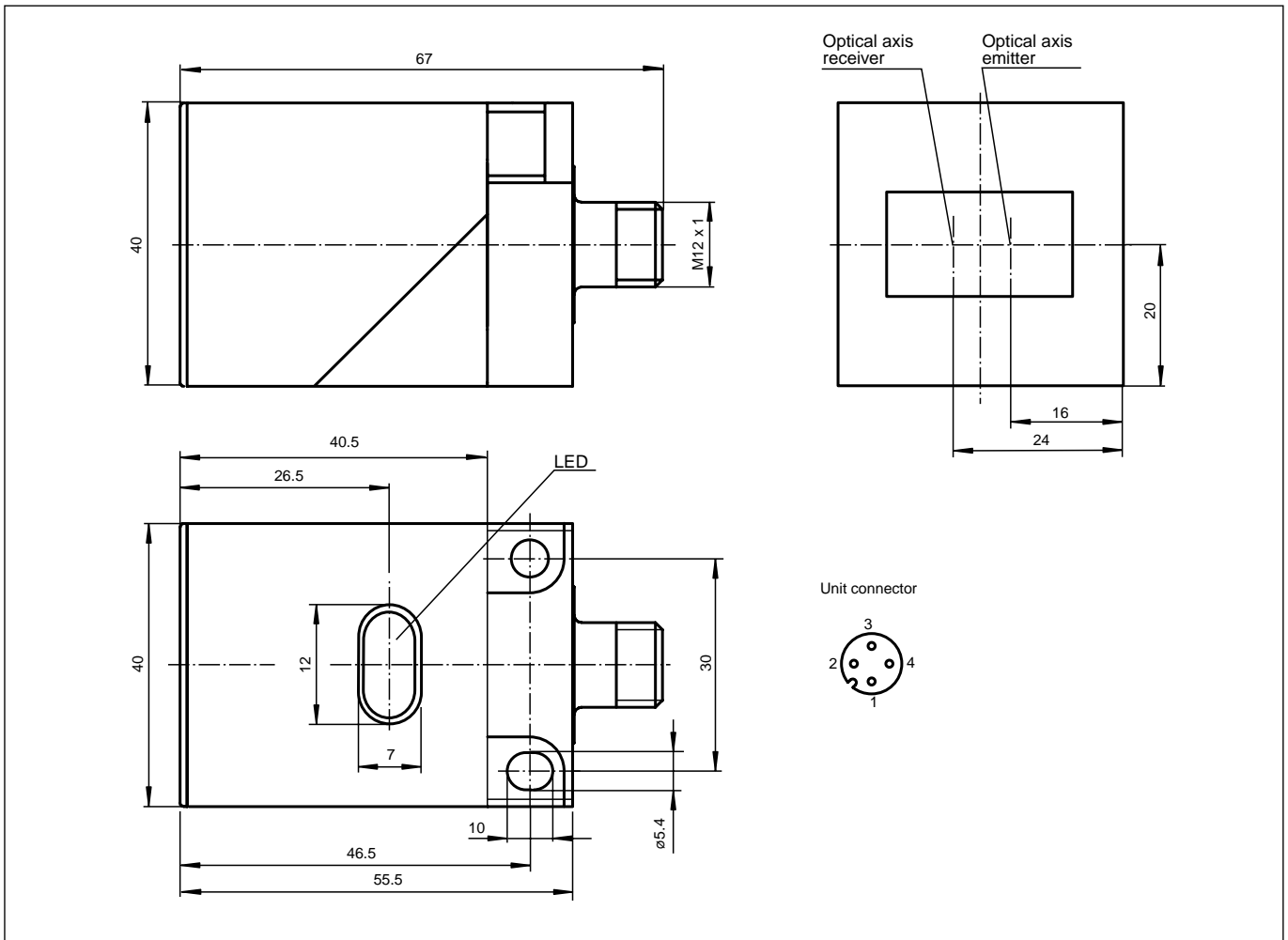
Series
VariKont®

Diagrams

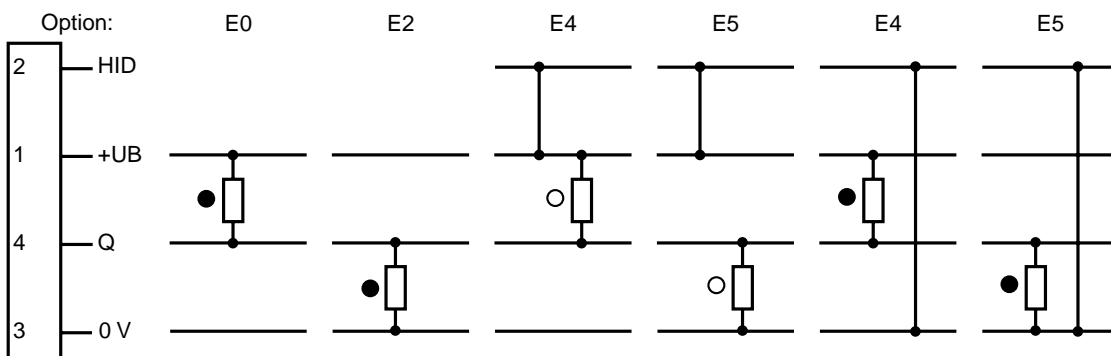


Dimensions

Series
VariKomf®



Electrical Connection



○ = Light ON, ● = Dark ON

Date of issue: 10/8/01