

REVISIONS

LTR	DESCRIPTION	DATE (YR-MO-DA)	APPROVED
A	Changes in accordance with NOR 5962-R041-92	91-11-25	M. L. Poelking
B	Changes in accordance with NOR 5962-R211-93	93-08-13	M. L. Poelking
C	Add device class level V. Update boilerplate throughout. - LTG	97-07-17	T. M. Hess
D	Update boilerplate to MIL-PRF-38535 requirements. - LTG	01-06-14	Thomas M. Hess

REV																				
SHEET																				
REV	C	C	C	D	C	C	D	C	C	C	C	C								
SHEET	15	16	17	18	19	20	21	22	23	24	25	26								
REV STATUS OF SHEETS	REV			D	C	D	D	D	C	C	C	C	C	C	C	C	C	C	C	C
	SHEET			1	2	3	4	5	6	7	8	9	10	11	12	13	14			

PMIC N/A	PREPARED BY Todd D. Creek	<p align="center">DEFENSE SUPPLY CENTER COLUMBUS</p> <p align="center">COLUMBUS, OHIO 43216</p> <p align="center">http://www.dsc.dla.mil</p>																	
<p align="center">STANDARD MICROCIRCUIT DRAWING</p> <p>THIS DRAWING IS AVAILABLE FOR USE BY ALL DEPARTMENTS AND AGENCIES OF THE DEPARTMENT OF DEFENSE</p> <p align="center">AMSC N/A</p>	CHECKED BY Ray Monnin																		
	APPROVED BY Don Cool	<p align="center">MICROCIRCUIT, DIGITAL, CMOS, BUS CONTROLLER REMOTE TERMINAL, MONOLITHIC SILICON</p>																	
	DRAWING APPROVAL DATE 10 June 1988																		
	REVISION LEVEL D	SIZE A	CAGE CODE 67268	5962-88628															
		SHEET 1 OF 26																	

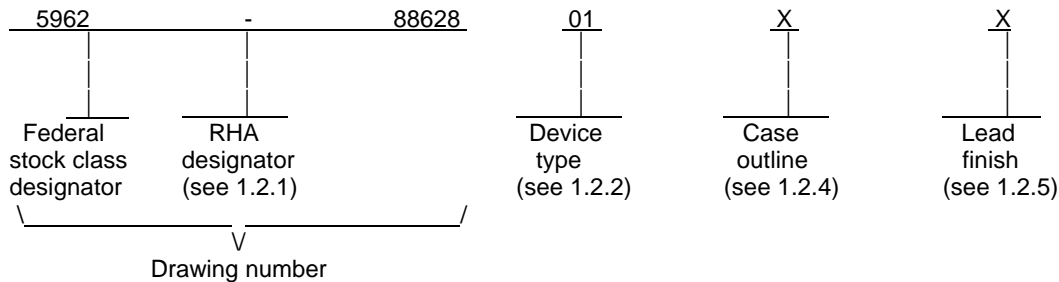
1. SCOPE

[查询"5962-8862801TA"供应商](#)

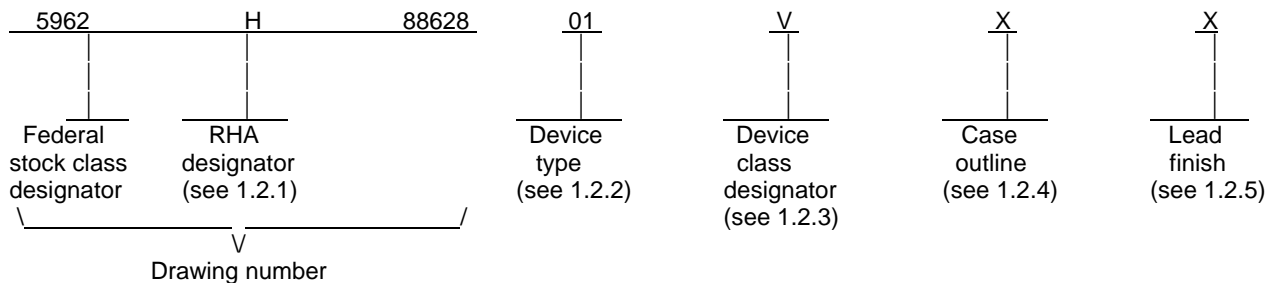
1.1 Scope. This drawing documents has two product assurance class levels consisting of high reliability (device classes Q and M) and space application (device class V). A choice of case outlines and lead finishes are available and are reflected in the Part or Identifying Number (PIN). When available, a choice of Radiation Hardness Assurance (RHA) levels are reflected in the PIN.

1.2 PIN. The PIN is as shown in the following examples.

For device classes M and Q:



For device class V:



1.2.1 RHA designator. Device classes Q and V RHA marked devices meet the MIL-PRF-38535 specified RHA levels and are marked with the appropriate RHA designator. Device class M RHA marked devices meet the MIL-PRF-38535, appendix A specified RHA levels and are marked with the appropriate RHA designator. A dash (-) indicates a non-RHA device.

1.2.2 Device type(s). The device type(s) identify the circuit function as follows:

<u>Device type</u>	<u>Generic number</u>	<u>Circuit function</u>
01	UT1553 BCRT	Bus controller remote terminal

1.2.3 Device class designator. The device class designator is a single letter identifying the product assurance level as listed below. Since the device class designator has been added after the original issuance of this drawing, device classes M and Q designators will not be included in the PIN and will not be marked on the device.

<u>Device class</u>	<u>Device requirements documentation</u>
M	Vendor self-certification to the requirements for MIL-STD-883 compliant, non-JAN class level B microcircuits in accordance with MIL-PRF-38535, appendix A
Q or V	Certification and qualification to MIL-PRF-38535

STANDARD MICROCIRCUIT DRAWING DEFENSE SUPPLY CENTER COLUMBUS COLUMBUS, OHIO 43216-5000	SIZE A		5962-88628
		REVISION LEVEL C	SHEET 2

[查询"5962-8862801TA"供应商](#)

1.2.4 Case outline(s). The case outline(s) are as designated in MIL-STD-1835 and as follows:

<u>Outline letter</u>	<u>Descriptive designator</u>	<u>Terminals</u>	<u>Package style</u>
T	CQCC1-F132	132	Leaded chip carrier with unformed leads
X	CMGA15-P84	84	Pin grid array
Y	CQCC2-J84	84	Leaded chip carrier with unformed leads
Z	CQCC1-N84	84	Square chip carrier

1.2.5 Lead finish. The lead finish is as specified in MIL-PRF-38535 for device classes Q and V or MIL-PRF-38535, appendix A for device class M.

1.3 Absolute maximum ratings. 1/

Supply voltage range	-0.3 V dc to +7.0 V dc
DC input/dc output voltage range	-0.3 V dc to (V _{CC}) +0.3 V dc
Storage temperature range	-65°C to +150°C
Maximum power dissipation (P _D) 2/.....	300 mW
Maximum junction temperature (T _J).....	+175°C
Thermal resistance, junction-to-case (θ _{JC})	See MIL-STD-1835
Latchup immunity (I _{LU})	±150 mA
Output short-circuit current (I _{OS}):	
A(0-15), D(0-15), DMAR , DMACK , STDINTL, and HPINT	100 mA
All other outputs	200 mA

1.4 Recommended operating conditions.

Supply voltage (V _{DD}).....	4.5 V dc to 5.5 V dc
Case operating temperature range (T _C)	-55°C to +125°C
Radiation features:	
Total dose	≥ 1 x 10 ⁶ Rads (Si)
Single event phenomenon (SEP) effective linear energy threshold, no upsets or latchup (see 4.4.4.4)	≥ 55 MEV/(mg/cm ²)
Dose rate upset (20 ns pulse)	3/
Dose rate latchup	3/
Dose rate survivability	3/
Neutron irradiated	> 1 X 10 ¹⁴

1.5 Digital logic testing for device classes Q and V.

Fault coverage measurement of manufacturing logic tests (MIL-STD-883, test method 5012)	86.5 percent
--	--------------

1/ Stresses above the absolute maximum rating may cause permanent damage to the device. Extended operation at the maximum levels may degrade performance and affect reliability.

2/ Must withstand the added P_D due to short circuit test, e. g., I_{OS}.

3/ When characterized as a result of the procuring activities request, the condition will be specified.

STANDARD MICROCIRCUIT DRAWING DEFENSE SUPPLY CENTER COLUMBUS COLUMBUS, OHIO 43216-5000	SIZE A		5962-88628
		REVISION LEVEL D	SHEET 3

2. APPLICABLE DOCUMENTS

[查询"5962-8862801TA"供应商](#)

~~2.1 Government specification, standards, and handbooks.~~ The following specification, standards, and handbooks form a part of this drawing to the extent specified herein. Unless otherwise specified, the issues of these documents are those listed in the issue of the Department of Defense Index of Specifications and Standards (DoDISS) and supplement thereto, cited in the solicitation.

SPECIFICATION

MILITARY

MIL-PRF-38535 - Integrated Circuits, Manufacturing, General Specification for.

STANDARDS

MILITARY

MIL-STD-883 - Test Methods and Procedures for Microelectronics.
MIL-STD-1835 - Interface Standard Electronic Component Case Outlines.

HANDBOOKS

MILITARY

MIL-HDBK-103 - List of Standard Microcircuit Drawings.
MIL-HDBK-780 - Standard Microcircuit Drawings.

(Unless otherwise indicated, copies of the specification, standards, and handbooks are available from the Standardization Document Order Desk, 700 Robbins Avenue, Building 4D, Philadelphia, PA 19111-5094.)

2.2 Order of precedence. In the event of a conflict between the text of this drawing and the references cited herein, the text of this drawing takes precedence. Nothing in this document, however, supersedes applicable laws and regulations unless a specific exemption has been obtained.

3. REQUIREMENTS

3.1 Item requirements. The individual item requirements for device classes Q and V shall be in accordance with MIL-PRF-38535 and as specified herein or as modified in the device manufacturer's Quality Management (QM) plan. The modification in the QM plan shall not affect the form, fit, or function as described herein. The individual item requirements for device class M shall be in accordance with MIL-PRF-38535, appendix A for non-JAN class level B devices and as specified herein.

3.2 Design, construction, and physical dimensions. The design, construction, and physical dimensions shall be as specified in MIL-PRF-38535 and herein for device classes Q and V or MIL-PRF-38535, appendix A and herein for device class M.

3.2.1 Case outline(s). The case outline(s) shall be in accordance with 1.2.4 herein.

3.2.2 Terminal connections. The terminal connections shall be as specified on figure 1.

3.2.3 Functional block diagram. The functional block diagram shall be as specified on figure 2.

3.2.4 Test circuit and switching waveforms. The test circuit and switching waveforms shall be as specified on figure 3.

3.2.5 Radiation exposure circuit. The radiation exposure circuit shall be as specified on figure 4.

3.3 Electrical performance characteristics and postirradiation parameter limits. Unless otherwise specified herein, the electrical performance characteristics and postirradiation parameter limits are as specified in table I and shall apply over the full case operating temperature range.

STANDARD MICROCIRCUIT DRAWING DEFENSE SUPPLY CENTER COLUMBUS COLUMBUS, OHIO 43216-5000	SIZE A		5962-88628
		REVISION LEVEL D	SHEET 5

[查询"5962-8862801TA"供应商](#)

~~3.4 Electrical test requirements.~~ The electrical test requirements shall be the subgroups specified in table II. The electrical tests for each subgroup are defined in table I.

3.5 Marking. The part shall be marked with the PIN listed in 1.2 herein. In addition, the manufacturer's PIN may also be marked as listed in MIL-HDBK-103. For packages where marking of the entire SMD PIN number is not feasible due to space limitations, the manufacturer has the option of not marking the "5962-" on the device. For RHA product using this option, the RHA designator shall still be marked. Marking for device classes Q and V shall be in accordance with MIL-PRF-38535. Marking for device class M shall be in accordance with MIL-PRF-38535, appendix A.

3.5.1 Certification/compliance mark. The certification mark for device classes Q and V shall be a "QML" or "Q" as required in MIL-PRF-38535. The compliance mark for device class M shall be a "C" as required in MIL-PRF-38535, appendix A.

3.6 Certificate of compliance. For device classes Q and V, a certificate of compliance shall be required from a QML-38535 listed manufacturer in order to supply to the requirements of this drawing (see 6.6.1 herein). For device class M, a certificate of compliance shall be required from a manufacturer in order to be listed as an approved source of supply in MIL-HDBK-103 (see 6.6.2 herein). The certificate of compliance submitted to DSCC-VA prior to listing as an approved source of supply for this drawing shall affirm that the manufacturer's product meets, for device classes Q and V, the requirements of MIL-PRF-38535 and herein or for device class M, the requirements of MIL-PRF-38535, appendix A and herein.

3.7 Certificate of conformance. A certificate of conformance as required for device classes Q and V in MIL-PRF-38535 or for device class M in MIL-PRF-38535, appendix A shall be provided with each lot of microcircuits delivered to this drawing.

3.8 Notification of change for device class M. For device class M, notification to DSCC-VA of change of product (see 6.2 herein) involving devices acquired to this drawing is required for any change as defined in MIL-PRF-38535, Appendix A.

3.9 Verification and review for device class M. For device class M, DSCC, DSCC's agent, and the acquiring activity retain the option to review the manufacturer's facility and applicable required documentation. Offshore documentation shall be made available onshore at the option of the reviewer.

STANDARD MICROCIRCUIT DRAWING DEFENSE SUPPLY CENTER COLUMBUS COLUMBUS, OHIO 43216-5000	SIZE A		5962-88628
		REVISION LEVEL D	SHEET 5

TABLE IA. Electrical performance characteristics.

[查询"5962-8862801TA"供应商](#)

Test	Symbol	Conditions 4.5 V ≤ V _{DD} ≤ 5.5 V <u>1/</u> -55°C ≤ T _C ≤ +125°C unless otherwise specified	Group A subgroups	Device type	Limits		Unit
					Min	Max	
Low level input voltage TTL inputs	V _{IL}		1, 2, 3	All		0.8	V
High level input voltage TTL inputs <u>2/</u>	V _{IH}		1, 2, 3	All	2.0		V
Input leakage current: TTL inputs	I _{IN}	V _{IN} = V _{DD} or V _{SS}	1, 2, 3	All	-1	1	μA
		M, D, L, R, F, G, H	1	All	-10	10	
Inputs with pulldown resistors	I _{IN}	V _{IN} = V _{DD}	1, 2, 3	All	-1	1	
		M, D, L, R, F, G, H	1	All	-10	10	
Inputs with pull-up resistors	I _{IN}	V _{IN} = V _{SS}	1, 2, 3	All	-550	-80	
		M, D, L, R, F, G, H	1	All	-900	-150	
Low level output voltage TTL outputs	V _{OL}	I _{OL} = 3.2 mA	1, 2, 3	All		0.4	V
High level output voltage TTL outputs	V _{OH}	I _{OH} = -400 μA	1, 2, 3	All	2.4		V
Three-state output leakage current TTL outputs	I _{OZ}	V _{OUT} = V _{DD} or V _{SS}	1, 2, 3	All	-10	10	μA
Short-circuit output current <u>3/ 4/</u>	I _{OS}	V _{DD} = 5.5 V, V _{OUT} = V _{DD}	1, 2, 3	All		100	mA
		V _{DD} = 5.5 V, V _{OUT} = 0 V	1, 2, 3	All	-100		mA
Quiescent current <u>5/</u>	Q _{IDD}		1, 2, 3	All		3	mA
Input capacitance <u>6/</u>	C _{IN}	See 4.4.1b	4	All		15	pF
Output capacitance <u>6/</u>	C _{OUT}		4	All		20	pF
Bidirect I/O capacitance <u>6/</u>	C _{IO}		4	All		25	pF

See footnotes at end of table.

STANDARD MICROCIRCUIT DRAWING DEFENSE SUPPLY CENTER COLUMBUS COLUMBUS, OHIO 43216-5000	SIZE A		5962-88628
		REVISION LEVEL C	SHEET 6

TABLE IA. Electrical performance characteristics. - Continued

[查询"5962-8862801TA"供应商](#)

Test	Symbol	Conditions -55°C ≤ T _C ≤ +125°C V _{DD} = 5.0 V ±10% 1/ unless otherwise specified	Group A subgroups	Device type	Limits		Unit
					Min	Max	
Functional test		See 4.4.1c	7, 8				
$\overline{\text{DMAG}}$ (L) to $\overline{\text{DMACK}}$ (L)	t _{PH1}	See figure 3 7/	9, 10, 11	All	0	45	ns
$\overline{\text{MCLK}}$ (H) to $\overline{\text{RRD}}$ (L)	t _{IOHL1}		9, 10, 11	All	0	60	ns
$\overline{\text{RWR}}$ (L) to $\overline{\text{DATA}}$ valid 8/	t _{OOZL1}		9, 10, 11	All	0	30	ns
$\overline{\text{MCLK}}$ (H) to $\overline{\text{MCLKD2}}$ (H)	t _{PLH1}		9, 10, 11	All	0	40	ns
$\overline{\text{MCLK}}$ (H) to $\overline{\text{RWR}}$ (L)	t _{IOHL2}		9, 10, 11	All	0	60	ns
$\overline{\text{RD}} + \overline{\text{CS}}$ (L) to $\overline{\text{DATA}}$ valid	t _{PH2}		9, 10, 11	All	0	60	ns
$\overline{\text{RD}}$ (L) to $\overline{\text{RRD}}$ (L)	t _{PH3}		9, 10, 11	All	0	30	ns
$\overline{\text{WR}}$ (L) to $\overline{\text{RWR}}$ (L)	t _{PH4}		9, 10, 11	All	0	30	ns
$\overline{\text{MEMSCI}}$ (L) to $\overline{\text{MEMSCO}}$ (L)	t _{PH5}		9, 10, 11	All	0	30	ns

See footnotes at end of table.

STANDARD MICROCIRCUIT DRAWING DEFENSE SUPPLY CENTER COLUMBUS COLUMBUS, OHIO 43216-5000	SIZE A		5962-88628
		REVISION LEVEL C	SHEET 7

TABLE IA. Electrical performance characteristics. - Continued

查询"5962-8862801TA"供应商

- 1/ Devices supplied to this drawing are characterized at all levels M, D, L, R, F, G and H of irradiation. However, this device is only tested at the 'H' level. Pre and Post irradiation values are identical unless otherwise specified in Table I. When performing post irradiation electrical measurements for any RHA level, $T_A = +25^\circ\text{C}$.
- 2/ Radiation hardened technology shall have a V_{IH} pre-irradiation of 2.2 V.
- 3/ Guaranteed to the limit specified in table I, if not tested.
- 4/ Not more than one output may be shorted at a time for a maximum duration of one second.
- 5/ All inputs with internal pull-ups should be left floating. All other inputs should be tied high or low.
- 6/ The capacitance measurements shall be made between the indicated terminal and ground at a frequency of 1 MHz at T_C of $+25^\circ\text{C}$. The dc bias of the measuring instrument shall 0 ± 0.1 V. The ac signal amplitude shall be less than 50 mV RMS.
- 7/ Switching tests are performed with $V_{IH} = V_{DD}$ and $V_{IL} = 0.0$ V as input test conditions and output transition times are measured at 1.4 V.
- 8/ Timing is not valid for RT timer field of message status word. The timer value may update during a DMA memory write.

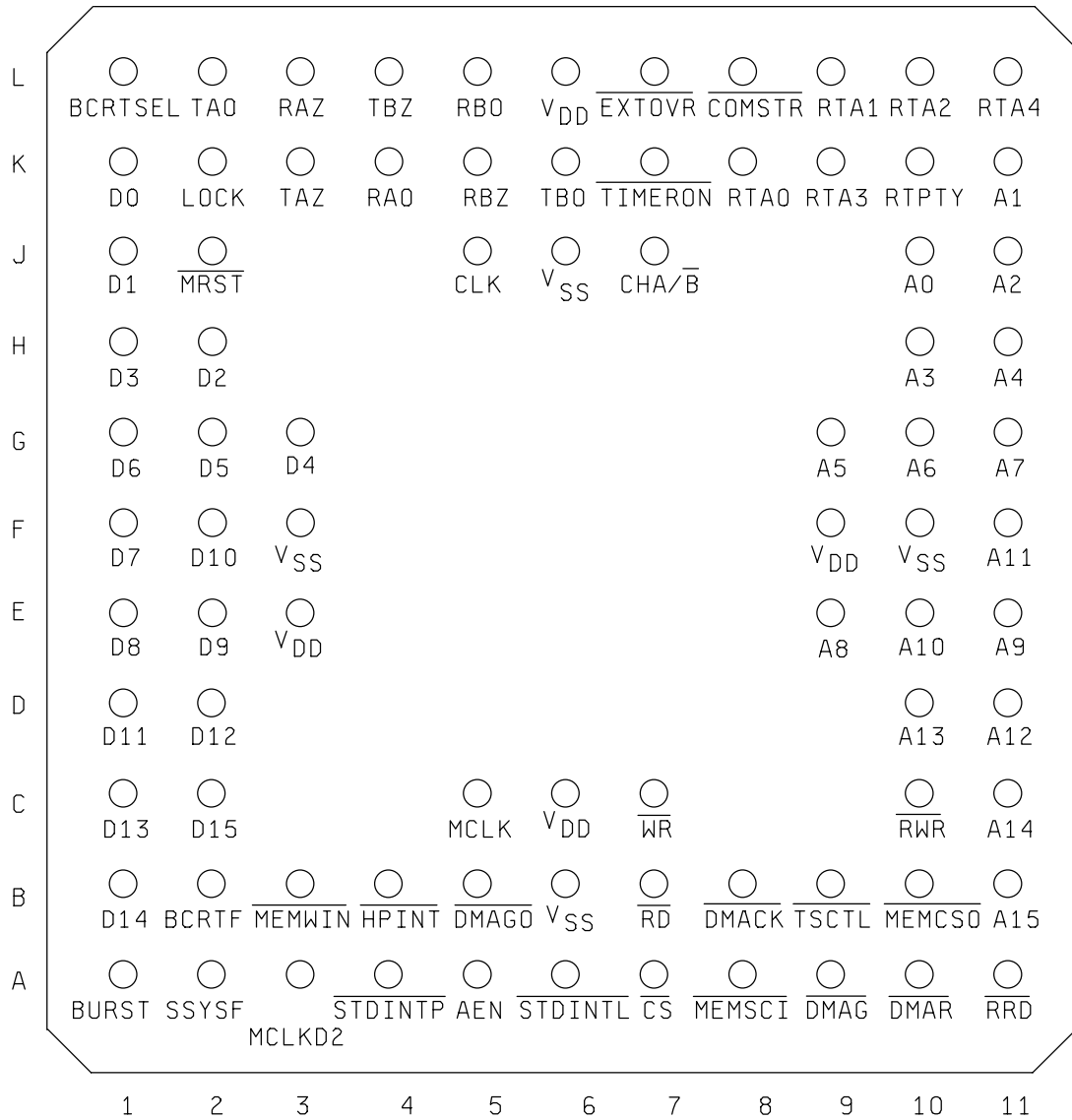
TABLE IB. SEP test limits. 1/ 2/ 3/

Device type	$T_A =$ Temperature $\pm 10^\circ\text{C}$ 4/	Memory pattern	$V_{CC} = 4.5$ V		Bias for latch-up test $V_{CC} = 5.5$ V no latch-up LET 4/
			Effective LET no upsets [MEV/(mg/cm ²)]	Maximum device cross section (Cm ²) (LET = 120)	
All	$+25^\circ\text{C}$	5/	≥ 55	$\leq 6.7 \times 10^{-5}$	≤ 80

NOTE: Devices that contain cross coupled resistance must be tested at the maximum rated T_A

- 1/ For SEP test conditions, see 4.4.4.4 herein.
- 2/ Technology characterization and model verification supplemented by in-line data may be used in lieu of end-of-line testing. Test plan must be approved by TRB and qualifying activity.
- 3/ Values will be added when they become available. Rad hard devices have not yet been tested for SEP.
- 4/ Worst case temperature $T_A = +125^\circ\text{C}$.
- 5/ For memories only.

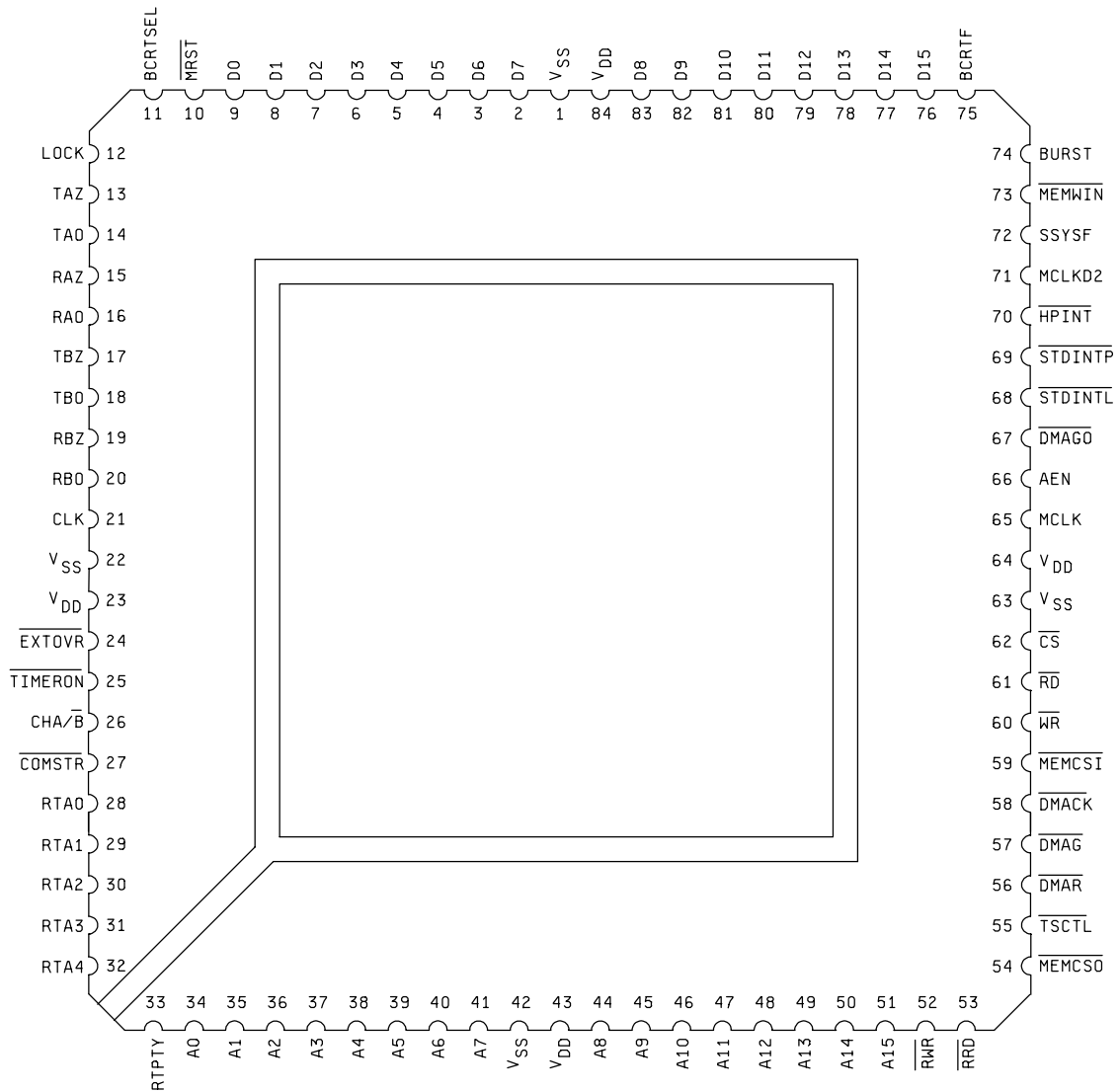
STANDARD MICROCIRCUIT DRAWING DEFENSE SUPPLY CENTER COLUMBUS COLUMBUS, OHIO 43216-5000	SIZE A		5962-88628
		REVISION LEVEL C	SHEET 8



NOTE: MEMWIN is an internal test pin only and should be considered a floating pin and not for use.

FIGURE 1. Terminal connections.

STANDARD MICROCIRCUIT DRAWING DEFENSE SUPPLY CENTER COLUMBUS COLUMBUS, OHIO 43216-5000	SIZE A		5962-88628
		REVISION LEVEL C	SHEET 9



NOTE: MEMWIN is an internal test pin only and should be considered a floating pin and not for use.

FIGURE 1. Terminal connections. - Continued

STANDARD MICROCIRCUIT DRAWING DEFENSE SUPPLY CENTER COLUMBUS COLUMBUS, OHIO 43216-5000	SIZE A		5962-88628
		REVISION LEVEL C	SHEET 10

Case T

[查询"5962-8862801TA"供应商](#)

Terminal number	Terminal symbol	Terminal number	Terminal symbol	Terminal number	Terminal symbol	Terminal number	Terminal symbol	Terminal number	Terminal symbol
1	V _{SS}	28	NC	55	NC	82	V _{SS}	109	NC
2	LOCK	29	RTA1	56	A10	83	V _{DD}	110	D10
3	TAZ	30	RTA2	57	A11	84	NC	111	NC
4	TAO	31	RTA3	58	A12	85	MCLK	112	D9
5	NC	32	RTA4	59	NC	86	AEN	113	NC
6	NC	33	V _{SS}	60	A13	87	NC	114	D8
7	RAZ	34	V _{DD}	61	A14	88	DMAGO	115	V _{DD}
8	NC	35	RTPTY	62	NC	89	STDINTL	116	V _{SS}
9	RAO	36	A0	63	A15	90	STDINTP	117	NC
10	TBZ	37	A1	64	RWR	91	NC	118	D7
11	TBO	38	NC	65	RRD	92	HPINT	119	D6
12	NC	39	NC	66	V _{DD}	93	NC	120	D5
13	RBZ	40	A2	67	V _{SS}	94	MCLKD2	121	NC
14	NC	41	A3	68	MEMCSO	95	NC	122	D4
15	RBO	42	A4	69	TSCTL	96	SSYSF	123	NC
16	V _{SS}	43	NC	70	DMAR	97	TEST	124	D3
17	V _{DD}	44	NC	71	NC	98	BURST	125	D2
18	CLK	45	A5	72	DMAG	99	V _{SS}	126	NC
19	NC	46	NC	73	NC	100	V _{DD}	127	D1
20	EXTOVR	47	A6	74	DMACK	101	BCRTF	128	NC
21	NC	48	NC	75	MEMCSI	102	D15	129	D0
22	TIMERON	49	V _{SS}	76	NC	103	D14	130	MRST
23	NC	50	V _{DD}	77	WR	104	NC	131	BCRTSEL
24	CHA/B	51	A7	78	NC	105	D13	132	V _{DD}
25	COMSTR	52	A8	79	RD	106	NC		
26	NC	53	MC	80	NC	107	D12		
27	RTAO	54	A9	81	CS	108	D11		

NOTES: The following terminals are active low: 20, 22, B of terminal 24, 25, 64, 65, 68, 69, 70, 72, 74, 75, 77, 79, 81, 88, 89, 90, 92, 130.

NC = No connect.

FIGURE 1. Terminal connections. – Continued

STANDARD MICROCIRCUIT DRAWING DEFENSE SUPPLY CENTER COLUMBUS COLUMBUS, OHIO 43216-5000	SIZE A		5962-88628
		REVISION LEVEL C	SHEET 11

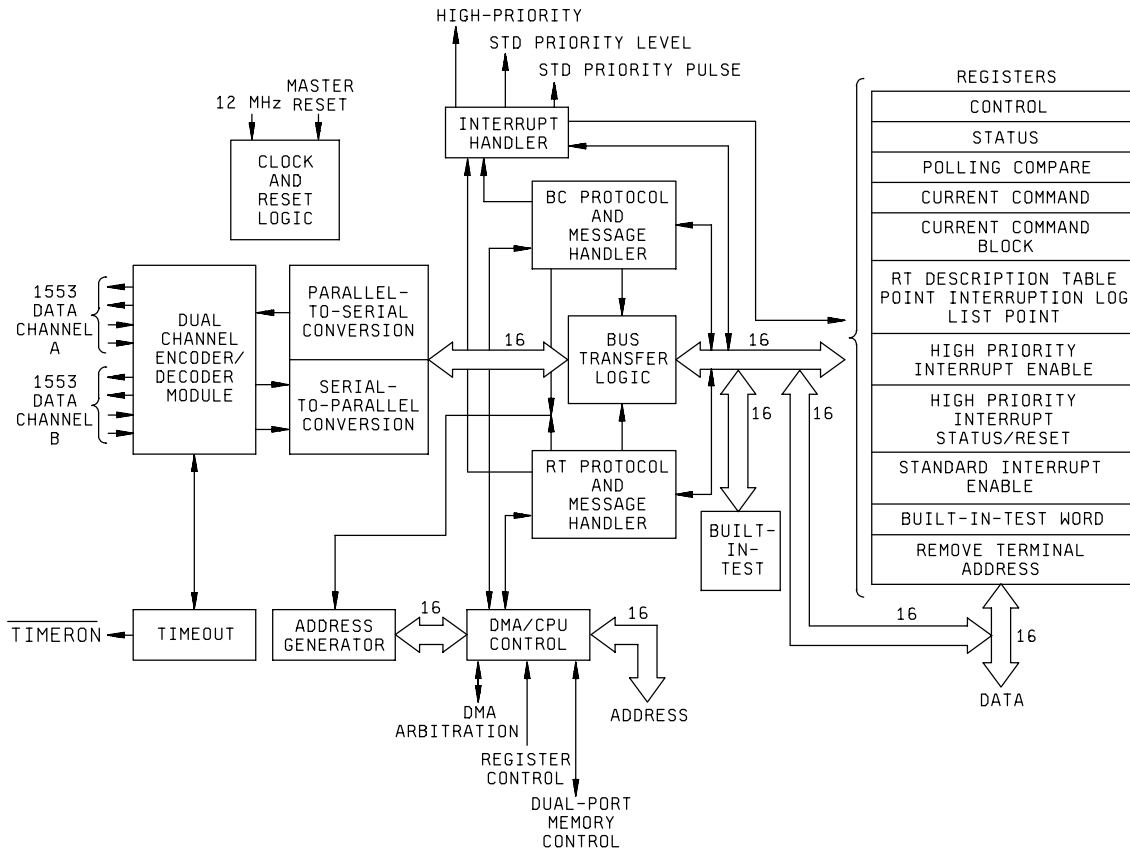
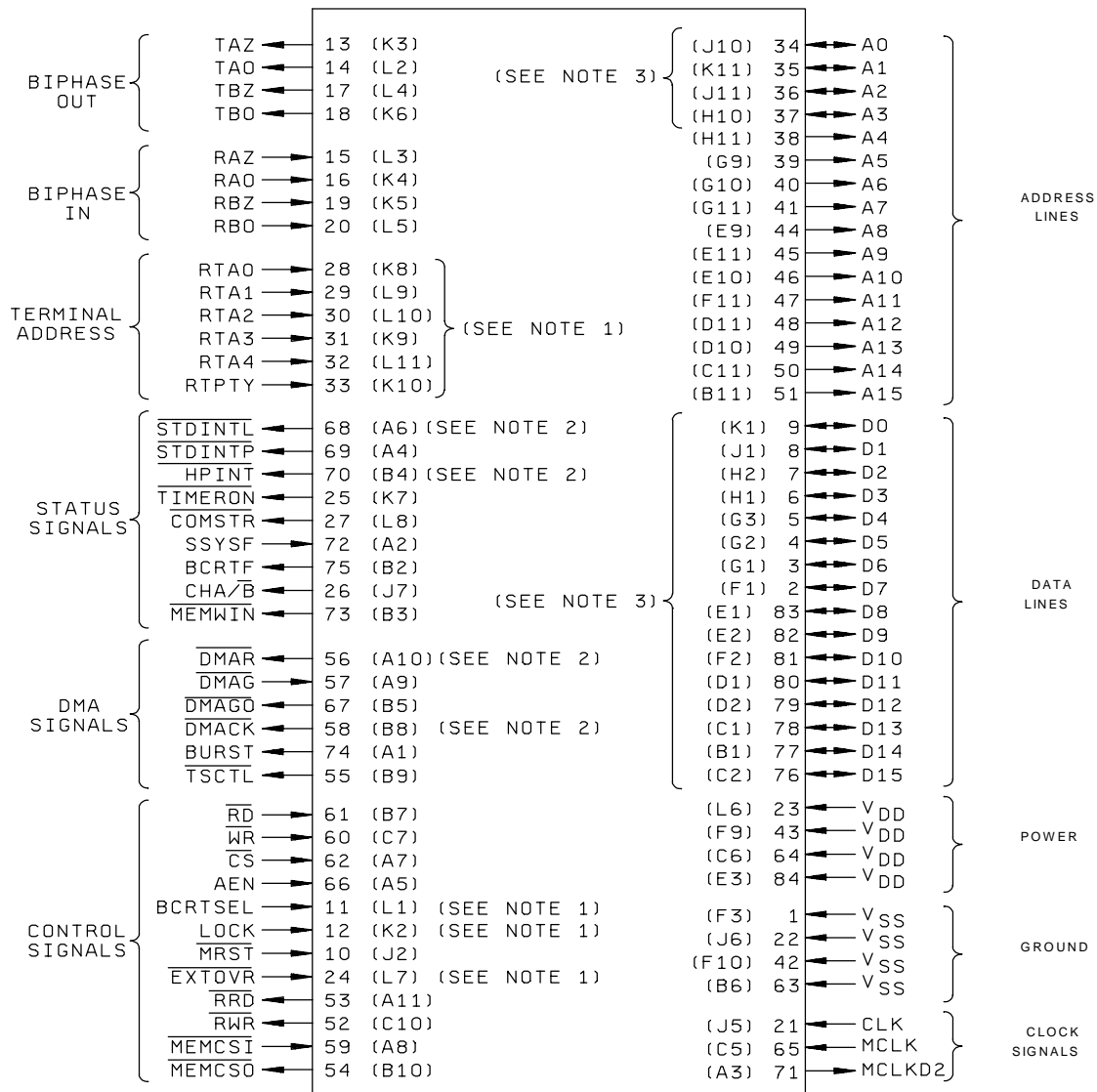


FIGURE 2. Functional block diagram.

STANDARD MICROCIRCUIT DRAWING DEFENSE SUPPLY CENTER COLUMBUS COLUMBUS, OHIO 43216-5000	SIZE A		5962-88628
		REVISION LEVEL C	SHEET 12



NOTES:

1. Pin internally pulled up.
2. Pin at high impedance when not asserted.
3. Bidirectional pin.
4. Case outline X lead identification in parenthesis, cases Y and Z are not in parenthesis.
5. MEMWIN is an internal test pin only and should be considered a floating pin and not for use.

FIGURE 2. Functional block diagram. - Continued

STANDARD MICROCIRCUIT DRAWING DEFENSE SUPPLY CENTER COLUMBUS COLUMBUS, OHIO 43216-5000	SIZE A		5962-88628
		REVISION LEVEL C	SHEET 13

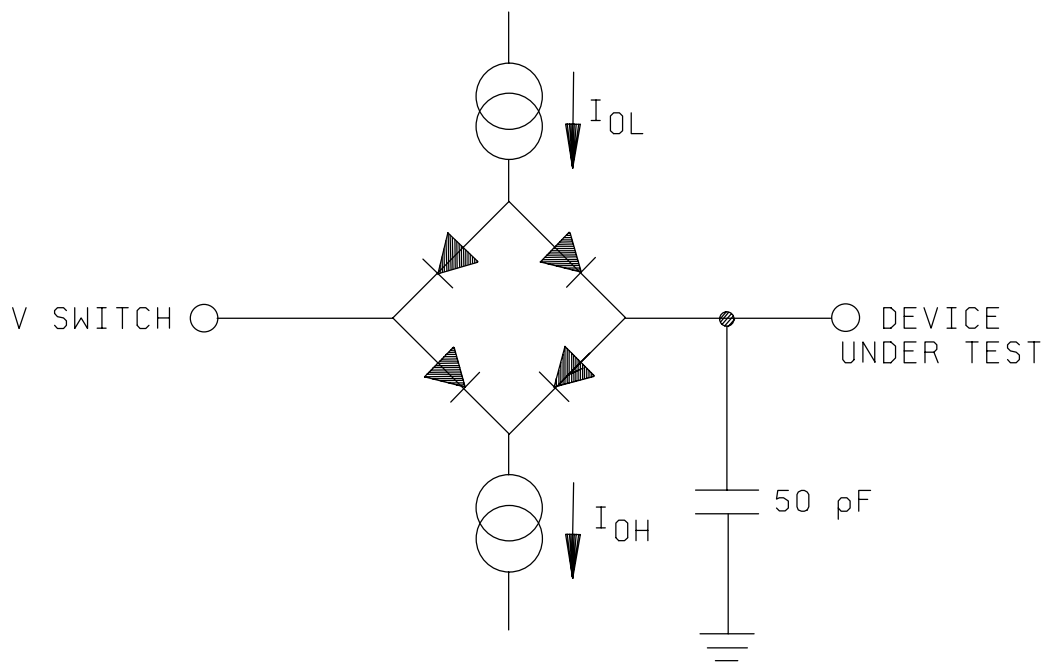


FIGURE 3. Switching test circuit and waveforms.

STANDARD MICROCIRCUIT DRAWING DEFENSE SUPPLY CENTER COLUMBUS COLUMBUS, OHIO 43216-5000	SIZE A		5962-88628
		REVISION LEVEL C	SHEET 14

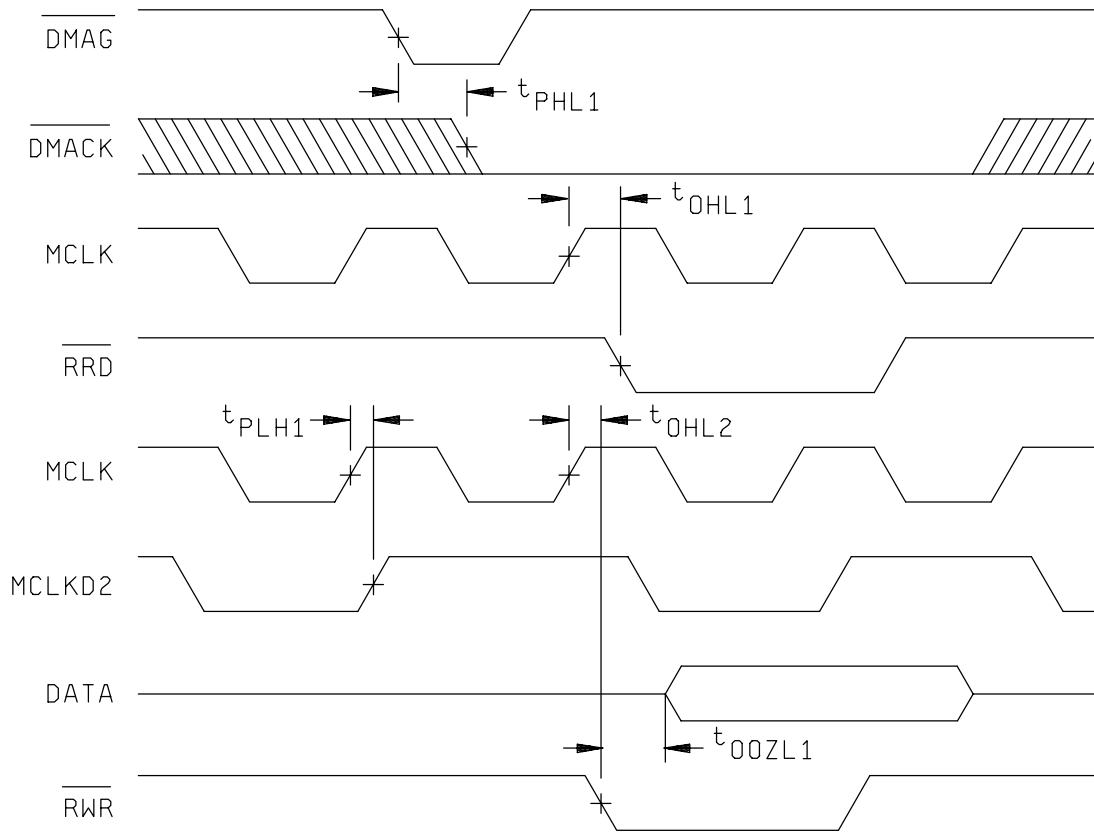


FIGURE 3. Switching test circuit and waveforms. - Continued

STANDARD MICROCIRCUIT DRAWING DEFENSE SUPPLY CENTER COLUMBUS COLUMBUS, OHIO 43216-5000	SIZE A		5962-88628
		REVISION LEVEL C	SHEET 15

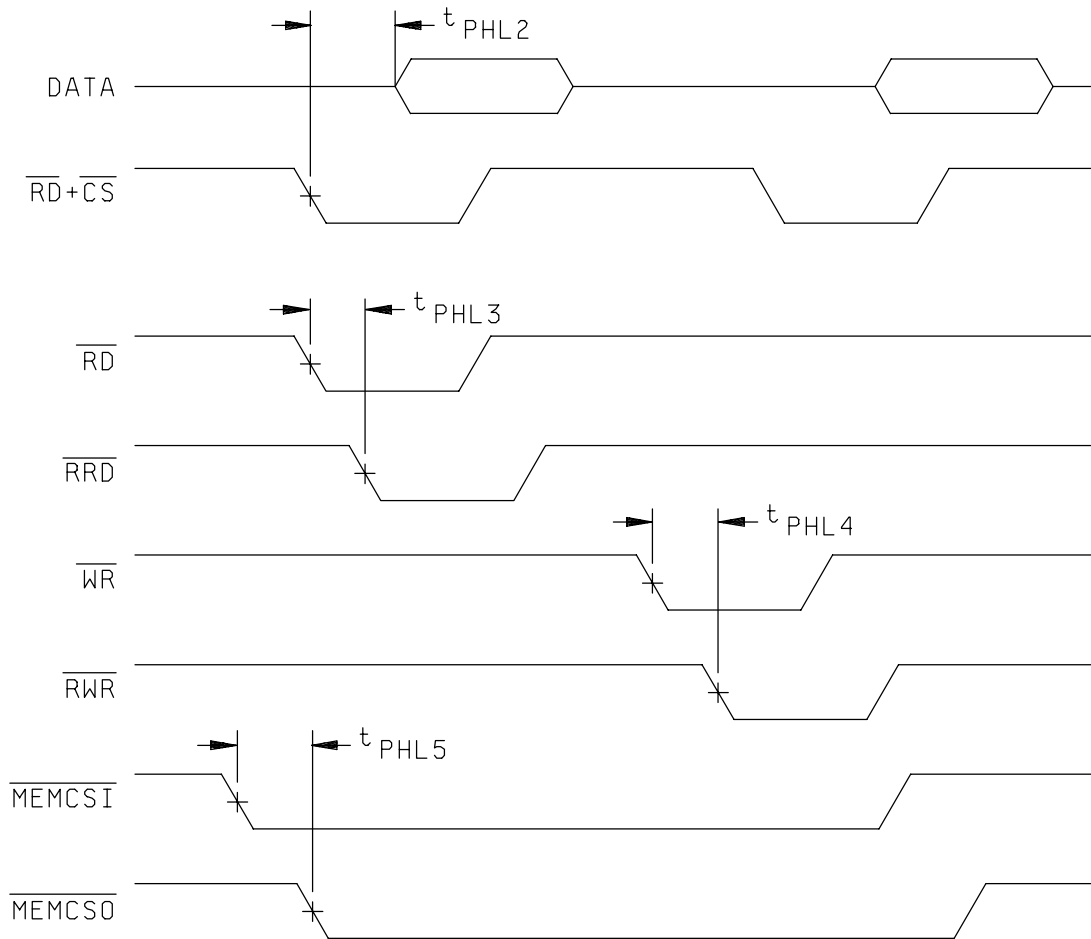


FIGURE 3. Switching test circuit and waveforms. - Continued

STANDARD MICROCIRCUIT DRAWING DEFENSE SUPPLY CENTER COLUMBUS COLUMBUS, OHIO 43216-5000	SIZE A		5962-88628
		REVISION LEVEL C	SHEET 16

[查询"5962-8862801TA"供应商](#)

Open	V _{DD} = 5 V ±0.5 V	Ground
13 (K3), 14 (L2), 17 (L4), 18 (K6), 25 (K7), 26 (J7), 27 (L8), 38 (H11), 39 (G9), 40 (G10), 41 (G11), 44 (E9), 45 (E11), 46 (E10), 47 (F11), 48 (D11), 49 (D10), 50 (C11), 51 (B11), 52 (C10), 53 (A11), 54 (B10), 55 (B9), 56 (A10), 58 (B8), 67 (B5), 68 (A6), 69 (A4), 70 (B4), 71 (A3), 73 (B3), 74 (A1), 75 (B2), 76 (C2), 77 (B1), 78 (C1), 79 (D2), 80 (D1), 81 (F2), 82 (E2), 83 (E1)	10 (J2), 11 (L1), 12 (K2), 23 (L6), 24 (L7), 28 (K8), 43 (F9), 57 (A9), 59 (A8), 61 (B7), 64 (C6), 84 (E3)	1 (F3), 2 (F1), 3 (G1), 4 (G2) 5 (G3), 6 (H1), 7 (H2), 8 (J1), 9 (K1), 15 (L3), 16 (K4), 19 (K5), 20 (L5), 21 (J5), 22 (J6), 29 (L9), 30 (L10), 31 (K9), 32 (L11), 33 (K10), 34 (J10), 35 (K11), 36 (J11), 37 (H10), 42 (F10), 60 (C7), 62 (A7), 63 (B6), 65 (C5), 66 (A5), 72 (A2)

Pin grid array pin identification is in parenthesis. Flat pack pin number is not in parenthesis.

FIGURE 4. Radiation exposure circuit.

STANDARD MICROCIRCUIT DRAWING DEFENSE SUPPLY CENTER COLUMBUS COLUMBUS, OHIO 43216-5000	SIZE A		5962-88628
		REVISION LEVEL C	SHEET 17

查詢 Microcircuit Assignments for device class M. Device class M devices covered by this drawing shall be in microcircuit group number 105 (see MIL-PRF-38535, appendix A).

4. QUALITY ASSURANCE PROVISIONS

4.1 Sampling and inspection. For device classes Q and V, sampling and inspection procedures shall be in accordance with MIL-PRF-38535 or as modified in the device manufacturer's Quality Management (QM) plan. The modification in the QM plan shall not affect the form, fit, or function as described herein. For device class M, sampling and inspection procedures shall be in accordance with MIL-PRF-38535, appendix A.

4.2 Screening. For device classes Q and V, screening shall be in accordance with MIL-PRF-38535, and shall be conducted on all devices prior to qualification and technology conformance inspection. For device class M, screening shall be in accordance with method 5004 of MIL-STD-883, and shall be conducted on all devices prior to quality conformance inspection.

4.2.1 Additional criteria for device class M.

a. Burn-in test, method 1015 of MIL-STD-883.

(1) Test condition A or D. The test circuit shall be maintained by the manufacturer under document revision level control and shall be made available to the preparing or acquiring activity upon request. The test circuit shall specify the inputs, outputs, biases, and power dissipation, as applicable, in accordance with the intent specified in test method 1015.

(2) T_A = +125°C, minimum.

b. Interim and final electrical test parameters shall be as specified in table II herein.

4.2.2 Additional criteria for device classes Q and V.

a. The burn-in test duration, test condition and test temperature, or approved alternatives shall be as specified in the device manufacturer's QM plan in accordance with MIL-PRF-38535. The burn-in test circuit shall be maintained under document revision level control of the device manufacturer's Technology Review Board (TRB) in accordance with MIL-PRF-38535 and shall be made available to the acquiring or preparing activity upon request. The test circuit shall specify the inputs, outputs, biases, and power dissipation, as applicable, in accordance with the intent specified in test method 1015 of MIL-STD-883.

b. Interim and final electrical test parameters shall be as specified in table II herein.

c. Additional screening for device class V beyond the requirements of device class Q shall be as specified in MIL-PRF-38535, appendix B.

4.3 Qualification inspection for device classes Q and V. Qualification inspection for device classes Q and V shall be in accordance with MIL-PRF-38535. Inspections to be performed shall be those specified in MIL-PRF-38535 and herein for groups A, B, C, D, and E inspections (see 4.4.1 through 4.4.4).

4.4 Conformance inspection. Technology conformance inspection for classes Q and V shall be in accordance with MIL-PRF-38535 including groups A, B, C, D, and E inspections and as specified herein. Quality conformance inspection for device class M shall be in accordance with MIL-PRF-38535, appendix A and as specified herein. Inspections to be performed for device class M shall be those specified in method 5005 of MIL-STD-883 and herein for groups A, B, C, D, and E inspections (see 4.4.1 through 4.4.4).

STANDARD MICROCIRCUIT DRAWING DEFENSE SUPPLY CENTER COLUMBUS COLUMBUS, OHIO 43216-5000	SIZE A		5962-88628
		REVISION LEVEL D	SHEET 18

4.4.1 Group A inspection.

[查询"5962-8862801TA"供应商](#)

- a. Tests shall be as specified in table II herein.
- b. Subgroup 4 (C_{IN}, C_{OUT}, C_{I/O}) shall be measured only for the initial test and after process or design changes which may affect input capacitance. One pin of each input/output driver (buffer) type shall be tested on each sample device.
- c. For device class M, subgroups 7 and 8 tests shall be sufficient to verify the functionality of the device. For device classes Q and V, subgroups 7 and 8 shall include verifying the functionality of the device; these tests shall have been fault graded in accordance with MIL-STD-883, test method 5012 (see 1.5 herein).

TABLE IIA. Electrical test requirements.

Test requirements	Subgroups (in accordance with MIL-STD-883, method 5005, table I)	Subgroups (in accordance with MIL-PRF-38535, table III)	
	Device class M	Device class Q	Device class V
Interim electrical parameters (see 4.2)	----	----	----
Final electrical parameters (see 4.2)	<u>1/</u> 1, 2, 3, 7, 8, 9, 10, 11	<u>1/</u> 1, 2, 3, 7, 8, 9, 10, 11	<u>2/</u> <u>3/</u> 1, 2, 3, 7, 8, 9, 10, 11
Group A test requirements (see 4.4)	1, 2, 3, 4, 7, 8, 9, 10, 11	1, 2, 3, 4, 7, 8, 9, 10, 11	1, 2, 3, 4, 7, 8, 9, 10, 11
Group C end-point electrical parameters (see 4.4)	1, 2, 7, 8A	1, 2, 7, 8A	1, 2, 7, 8A <u>3/</u>
Group D end-point electrical parameters (see 4.4)	1, 2, 7, 8A	1, 2, 7, 8A	1, 2, 7, 8A
Group E end-point electrical parameters (see 4.4)	1, 7, 9	1, 7, 9	1, 7, 9

1/ PDA applies to subgroup 1.

2/ PDA applies to subgroups 1 and 7.

3/ Delta limits as specified in Table IIB herein shall be required when specified and the Delta values shall be completed with reference to the zero hour electrical parameter.

Table IIB. Delta limits

Parameter	Condition	Limits
I _{DDQ}	T _A = 25°C	±10% of measured value or 35 µA whichever is greater

NOTE: If device is tested at or below 35 µA no deltas are required. Delta's are performed at room temperature.

STANDARD MICROCIRCUIT DRAWING DEFENSE SUPPLY CENTER COLUMBUS COLUMBUS, OHIO 43216-5000	SIZE A		5962-88628
		REVISION LEVEL C	SHEET 19

4.4.2 Group C inspection. The group C inspection end-point electrical parameters shall be as specified in table II herein.

[查询"5962-8862801TA"供应商](#)

4.4.2.1 Additional criteria for device class M. Steady-state life test conditions, method 1005 of MIL-STD-883:

- a. Test condition A or D. The test circuit shall be maintained by the manufacturer under document revision level control and shall be made available to the preparing or acquiring activity upon request. The test circuit shall specify the inputs, outputs, biases, and power dissipation, as applicable, in accordance with the intent specified in test method 1005 of MIL-STD-883.
- b. $T_A = +125^{\circ}\text{C}$, minimum.
- c. Test duration: 1,000 hours, except as permitted by method 1005 of MIL-STD-883.

4.4.2.2 Additional criteria for device classes Q and V. The steady-state life test duration, test condition and test temperature, or approved alternatives shall be as specified in the device manufacturer's QM plan in accordance with MIL-PRF-38535. The test circuit shall be maintained under document revision level control by the device manufacturer's TRB in accordance with MIL-PRF-38535 and shall be made available to the acquiring or preparing activity upon request. The test circuit shall specify the inputs, outputs, biases, and power dissipation, as applicable, in accordance with the intent specified in test method 1005 of MIL-STD-883.

4.4.3 Group D inspection. The group D inspection end-point electrical parameters shall be as specified in table II herein.

4.4.4 Group E inspection. Group E inspection is required only for parts intended to be marked as radiation hardness assured (see 3.5 herein).

- a. End-point electrical parameters shall be as specified in table II herein.
- b. For device classes Q and V, the devices or test vehicle shall be subjected to radiation hardness assured tests as specified in MIL-PRF-38535 for the RHA level being tested. For device class M, the devices shall be subjected to radiation hardness assured tests as specified in MIL-PRF-38535, appendix A for the RHA level being tested. All device classes must meet the postirradiation end-point electrical parameter limits as defined in table I at $T_A = +25^{\circ}\text{C} \pm 5^{\circ}\text{C}$, after exposure, to the subgroups specified in table II herein.
- c. When specified in the purchase order or contract, a copy of the RHA delta limits shall be supplied.

4.4.4.1 Total dose irradiation testing. Total dose irradiation testing shall be performed in accordance with MIL-STD-883 method 1019 and as specified herein.

4.4.4.1.1 Accelerated aging test. Accelerated aging tests shall be performed on all devices requiring a RHA level greater than 5k rads (Si). The post-anneal end-point electrical parameter limits shall be as specified in table I herein and shall be the pre-irradiation end-point electrical parameter limit at $25^{\circ}\text{C} \pm 5^{\circ}\text{C}$. Testing shall be performed at initial qualification and after any design or process changes which may affect the RHA response of the device.

4.4.4.2 Dose rate induced latchup testing. Dose rate induced latchup testing shall be performed in accordance with test method 1020 of MIL-STD-883 and as specified herein (see 1.4). Tests shall be performed on devices, SEC, or approved test structures at technology qualification and after any design or process changes which may effect the RHA capability of the process.

4.4.4.3 Dose rate upset testing. Dose rate upset testing shall be performed in accordance with test method 1021 of MIL-STD883 and herein (see 1.4).

- a. Transient dose rate upset testing shall be performed at initial qualification and after any design or process changes which may effect the RHA performance of the devices. Test 10 devices with 0 defects unless otherwise specified.
- b. Transient dose rate upset testing for class Q and V devices shall be performed as specified by a TRB approved radiation hardness assurance plan and MIL-PRF-38535.

STANDARD MICROCIRCUIT DRAWING DEFENSE SUPPLY CENTER COLUMBUS COLUMBUS, OHIO 43216-5000	SIZE A		5962-88628
		REVISION LEVEL C	SHEET 20

4.4.4.4 Single event phenomena (SEP). SEP testing shall be required on class V devices (See 1.4). SEP testing shall be performed on the Standard Evaluation Circuit (SEC) or alternate SEP test vehicle as approved by the qualifying activity at initial qualification and after any design or process changes which may affect the upset or latchup characteristics. The recommended test conditions for SEP are as follows:

- a. The ion beam angle of incidence shall be between normal to the die surface and 60° to the normal, inclusive (i.e. 0° ≤ angle ≤ 60°). No shadowing of the ion beam due to fixturing or package related effects is allowed.
- b. The fluence shall be ≥ 100 errors or ≥ 10⁶ ions/cm².
- c. The flux shall be between 10² and 10⁵ ions/cm²/s. The cross-section shall be verified to be flux independent by measuring the cross-section at two flux rates which differ by at least an order of magnitude.
- d. The particle range shall be ≥ 20 microns in silicon.
- e. The test temperature shall be +25°C and the maximum rated operating temperature ±10°C.
- f. Bias conditions shall be defined by the manufacturer for latchup measurements.
- g. Test four devices with zero failures.
- h. For SEP test limits, see Table IB herein.

5. PACKAGING

5.1 Packaging requirements. The requirements for packaging shall be in accordance with MIL-PRF-38535 for device classes Q and V or MIL-PRF-38535, appendix A for device class M.

6. NOTES

6.1 Intended use. Microcircuits conforming to this drawing are intended for use for Government microcircuit applications (original equipment), design applications, and logistics purposes.

6.1.1 Replaceability. Microcircuits covered by this drawing will replace the same generic device covered by a contractor-prepared specification or drawing.

6.2 Configuration control of SMD's. All proposed changes to existing SMD's will be coordinated with the users of record for the individual documents. This coordination will be accomplished using DD Form 1692, Engineering Change Proposal.

6.3 Record of users. Military and industrial users should inform Defense Supply Center Columbus when a system application requires configuration control and which SMD's are applicable to that system. DSCC will maintain a record of users and this list will be used for coordination and distribution of changes to the drawings. Users of drawings covering microelectronic devices (FSC 5962) should contact DSCC-VA, telephone (614) 692-0544.

6.4 Comments. Comments on this drawing should be directed to DSCC-VA, Columbus, Ohio 43216-5000, or telephone (614) 692-0547.

STANDARD MICROCIRCUIT DRAWING DEFENSE SUPPLY CENTER COLUMBUS COLUMBUS, OHIO 43216-5000	SIZE A		5962-88628
		REVISION LEVEL D	SHEET 21

6.5 Abbreviations, symbols, and definitions. The abbreviations, symbols, and definitions used herein are defined in MIL-PRF-38544 and MIL-STD-883C. The following are defined in MIL-PRF-38544 and MIL-STD-883C:

Name	Pin number		Type	Active	Description
	Cases Y, Z	Case X			
A0	34	J10	I/O		Bit 0 (LSB) of the address bus
A1	35	K11	I/O		Bit 1 of the address bus
A2	36	J11	I/O		Bit 2 of the address bus
A3	37	H10	I/O		Bit 3 of the address bus
A4	38	H11	OUT		Bit 4 of the address bus
A5	39	G9	OUT		Bit 5 of the address bus
A6	40	G10	OUT		Bit 6 of the address bus
A7	41	G11	OUT		Bit 7 of the address bus
A8	44	E9	OUT		Bit 8 of the address bus
A9	45	E11	OUT		Bit 9 of the address bus
A10	46	E10	OUT		Bit 10 of the address bus
A11	47	F11	OUT		Bit 11 of the address bus
A12	48	D11	OUT		Bit 12 of the address bus
A13	49	D10	OUT		Bit 13 of the address bus
A14	50	C11	OUT		Bit 14 of the address bus
A15	51	B11	OUT		Bit 15 of the address bus
D0	9	K1	I/O		Bit 0 (LSB) of the data bus
D1	8	J1	I/O		Bit 1 of the data bus
D2	7	H2	I/O		Bit 2 of the data bus
D3	6	H1	I/O		Bit 3 of the data bus
D4	5	G3	I/O		Bit 4 of the data bus
D5	4	G2	I/O		Bit 5 of the data bus
D6	3	G1	I/O		Bit 6 of the data bus
D7	2	F1	I/O		Bit 7 of the data bus

STANDARD MICROCIRCUIT DRAWING DEFENSE SUPPLY CENTER COLUMBUS COLUMBUS, OHIO 43216-5000	SIZE A		5962-88628
		REVISION LEVEL C	SHEET 22

6.5 Abbreviations, symbols, and definitions. Continued

[查询"5962-8862801TA"供应商](#)

Name	Pin number		Type	Active	Description
	Cases Y, Z	Case X			
D8	83	E1	I/O		Bit 8 of the data bus
D9	82	E2	I/O		Bit 9 of the data bus
D10	81	F2	I/O		Bit 10 of the data bus
D11	80	D1	I/O		Bit 11 of the data bus
D12	79	D2	I/O		Bit 12 of the data bus
D13	78	C1	I/O		Bit 13 of the data bus
D14	77	B1	I/O		Bit 14 of the data bus
D15	76	C2	I/O		Bit 15 of the data bus
DMAR	56	A10	OUT	ZL	DMA request
DMAG	57	A9	IN	AL	DMA grant
DMAGO	67	B5	OUT	AL	DMA grant out
DMACK	58	B8	OUT	ZL	DMA acknowledge
CS	62	A7	IN	AL	Chip select
RD	61	B7	IN	AL	Read
WR	60	C7	IN	AL	Write
MEMCSO	54	B10	OUT	AL	Memory chip select out
MEMCSI	59	A8	IN	AL	Memory chip select in
RRD	53	A11	OUT	AL	RAM read
RWR	52	C10	OUT	AL	RAM write
TSCTL	55	B9	OUT	AL	Three state control
AEN	66	A5	IN	AH	Address enable
STDINTL	68	A6	OUT	ZL	Standard interrupt level
STDINTP	69	A4	OUT	AL	Standard interrupt pulse
HPINT	70	B4	OUT	ZL	High priority interrupt
CLK	21	J5	IN		Clock

STANDARD MICROCIRCUIT DRAWING DEFENSE SUPPLY CENTER COLUMBUS COLUMBUS, OHIO 43216-5000	SIZE A		5962-88628
		REVISION LEVEL C	SHEET 23

6.5 Abbreviations, symbols, and definitions. Continued

[查询"5962-8862801TA"供应商](#)

Name	Pin number		Type	Active	Description
	Cases Y, Z	Case X			
MCLK	65	C5	IN		Memory clock
MCLKD2	71	A3	OUT		Memory clock divided by two
TAZ	13	K3	OUT		Transmit (channel) A Z
TAO	14	L2	OUT		Transmit (channel) A O
TBZ	17	L4	OUT		Transmit (channel) B Z
TBO	18	K6	OUT		Transmit (channel) B O
RAZ	15	L3	IN		Receive (channel) A Z
RAO	16	K4	IN		Receive (channel) A O
RBZ	19	K5	IN		Receive (channel) B Z
RBO	20	L5	IN		Receive (channel) B O
TIMERON	25	K7	OUT	AL	(RT) timer on
CHA/B	26	J7	OUT		Channel A/B
MRST	10	J2	IN	AL	Master reset
COMSTR	27	L8	OUT	AL	(RT) command strobe
BCRTSEL	11	L1	IN		BC/RT select
RTAO	28	K8	IN		Remote terminal address bit 0 (LSB)
RTA1	29	L9	IN		Remote terminal address bit 1
RTA2	30	L10	IN		Remote terminal address bit 2
RTA3	31	K9	IN		Remote terminal address bit 3
RTA4	32	L11	IN		Remote terminal address bit 4
RTPTY	33	K10	IN	AH	Remote terminal (address) parity
SSYSF	72	A2	IN	AH	Subsystem fail
BCRTF	75	B2	OUT	AH	BCRT fail
BURST	74	A1	OUT	AL	Burst (DMA cycle)
MEMWIN	73	B3	OUT		Memory (access) window

NOTE: MEMWIN is an internal test pin only and should be considered a floating pin and not for use.

STANDARD MICROCIRCUIT DRAWING DEFENSE SUPPLY CENTER COLUMBUS COLUMBUS, OHIO 43216-5000	SIZE A		5962-88628
		REVISION LEVEL C	SHEET 24

6.5 Abbreviations, symbols, and definitions. Continued

[查询"5962-8862801TA"供应商](#)

Name	Pin number		Type	Active	Description
	Cases Y, Z	Case X			
LOCK	12	K2	IN	AH	Lock
<u>EXTOVR</u>	24	L7	IN	AL	External override
V _{DD}	23	L6	PWR		+5 V
V _{DD}	43	F9	PWR		+5 V
V _{DD}	64	C6	PWR		+5 V
V _{DD}	84	E3	PWR		+5 V
V _{SS}	1	F3	GND		Ground
V _{SS}	22	J6	GND		Ground
V _{SS}	42	F10	GND		Ground
V _{SS}	63	B6	GND		Ground

1/ Abbreviations:

- AL = Active low
- AH = Active high
- ZL = Active low - inactive state is high impedance

2/ Address and data busses are all active high and in the high impedance state when idle.

STANDARD MICROCIRCUIT DRAWING DEFENSE SUPPLY CENTER COLUMBUS COLUMBUS, OHIO 43216-5000	SIZE A		5962-88628
		REVISION LEVEL C	SHEET 25

6.6 Sources of supply.

[查询"5962-8862801TA"供应商](#)

6.6.1 Sources of supply for device classes Q and V. Sources of supply for device classes Q and V are listed in QML-38535. The vendors listed in QML-38535 have submitted a certificate of compliance (see 3.6 herein) to DSCC-VA and have agreed to this drawing.

6.6.2 Approved sources of supply for device class M. Approved sources of supply for class M are listed in MIL-HDBK-103. The vendors listed in MIL-HDBK-103 have agreed to this drawing and a certificate of compliance (see 3.6 herein) has been submitted to and accepted by DSCC-VA.

6.7 Additional information. A copy of the following additional data shall be maintained and available from the device manufacturer:

- a. RHA upset levels.
- b. Test conditions (SEP).
- c. Number of upsets (SEP).
- d. Number of transients (SEP).
- e. Occurrence of latchup (SEP).

STANDARD MICROCIRCUIT DRAWING DEFENSE SUPPLY CENTER COLUMBUS COLUMBUS, OHIO 43216-5000	SIZE A		5962-88628
		REVISION LEVEL C	SHEET 26

STANDARD MICROCIRCUIT DRAWING BULLETIN

[查询"5962-8862801TA"供应商](#)

DATE: 01-06-14

Approved sources of supply for SMD 5962-88628 are listed below for immediate acquisition information only and shall be added to MIL-HDBK-103 and QML-38535 during the next revision. MIL-HDBK-103 and QML-38535 will be revised to include the addition or deletion of sources. The vendors listed below have agreed to this drawing and a certificate of compliance has been submitted to and accepted by DSCC-VA. This bulletin is superseded by the next dated revision of MIL-HDBK-103 and QML-38535.

Standard microcircuit drawing PIN <u>1/</u>	Vendor CAGE number	Vendor similar PIN <u>2/</u>
5962-8862801XA	65342	UT1553BCRTGA
5962-8862801XC	65342	UT1553BCRTGC
5962-8862801YA	65342	UT1553BCRTWA
5962-8862801YC	65342	UT1553BCRTWC
5962-8862801ZA	65342	UT1553BCRTAA
5962-8862801ZC	65342	UT1553BCRTAC
5962-8862801TA	65342	UT1553BCRTFA
5962-8862801TC	65342	UT1553BCRTFC
5962H8862801XA	65342	UT1553BCRTGAH
5962H8862801XC	65342	UT1553BCRTGCH
5962H8862801YA	65342	UT1553BCRTWAH
5962H8862801YC	65342	UT1553BCRTWCH
5962H8862801ZA	65342	UT1553BCRTAAH
5962H8862801ZC	65342	UT1553BCRTACH
5962H8862801TA	65342	UT1553BCRTFAH
5962H8862801TC	65342	UT1553BCRTFCH
5962H8862801VXA	65342	UT1553BCRTVGAH
5962H8862801VXC	65342	UT1553BCRTVGCH
5962H8862801VYA	65342	UT1553BCRTVWAH
5962H8862801VYC	65342	UT1553BCRTVWCH
5962H8862801VZA	65342	UT1553BCRTVAAH
5962H8862801VZC	65342	UT1553BCRTVACH
5962H8862801VTA	65342	UT1553BCRTVFAH
5962H8862801VTC	65342	UT1553BCRTVFCH

1/ The lead finish shown for each PIN representing a hermetic package is the most readily available from the manufacturer listed for that part. If the desired lead finish is not listed contact the Vendor to determine its availability.

2/ **Caution.** Do not use this number for item acquisition. Items acquired to this number may not satisfy the performance requirements of this drawing.

[查询"5962-8862801TA"供应商](#)

Vendor CAGE
number

65342

Vendor name
and address

Aeroflex UTMC Microelectronics System Inc.
4350 Centennial Boulevard
Colorado Springs, Colorado 80907-3486

The information contained herein is disseminated for convenience only and the Government assumes no liability whatsoever for any inaccuracies in the information bulletin.