

GG/HG Series



UL Recognized
CSA Certified
VDE Approved



GG Series

The GG series power entry modules combine the functions of a general purpose RFI filter with an IEC power cord connector and single or dual metric fusing, in the smallest possible panel space. A choice of .250" terminals or wire leads is available for the load-side terminations.

For maximum cost effectiveness, 6 amp models should be used for all applications rated 6 amps or less, unless the higher performance of the 3 amp models, or the much higher performance of the 1 amp models, is needed.

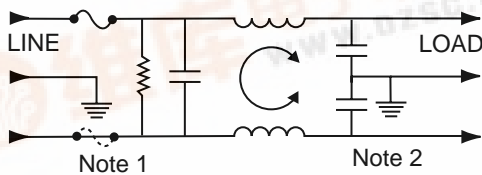
Models with C-suffix additionally incorporate a ground choke¹ to isolate the equipment chassis from external ground at RF frequencies.

HG Series

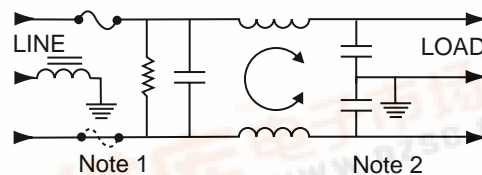
A medical version of our GG series, these filters offer the same compact design but reduce the line-to-ground capacitance in order to meet UL 2601 patient care requirements.

Electrical Schematics

GG/GS/HG



GG-C



Resistor location for reference only.

Note 1: Depicts single fuse for -1 models.

Note 2: For HG delete line-to-ground capacitors.

CAUTION: DO NOT ATTEMPT TO OPERATE A SINGLE-FUSED MODEL WITHOUT THE FUSE DOOR IN PLACE!

Specifications

Maximum leakage current, each line-to-ground

	HG Models	GG Models
@ 120 VAC 60 Hz:	2µA	.25 mA
@ 250 VAC 50 Hz:	5µA	.42 mA

Hipot rating (one minute):

line-to-ground	1550 VAC
line-to-line	1450 VDC

Operating frequency:

50/60 Hz

Rated voltage (max.):

250 VAC

Fuse (not included):

Accepts one 5x20mm fuse (-1 models) or two 5 x 20 mm fuses (-2 models)

Terminals:

.250 [6.35mm] terminals (G1)
5" wire leads (EGG8)

Minimum insertion loss in dB:

Line-to-ground in 50 ohm circuit

Current Rating	Frequency-MHz								
	.01	.05	.10	.15	.5	1	5	10	30
GG/GS Models									
1A	12	23	29	32	41	47	50	50	55
3A	-	10	15	19	30	36	48	50	53
6A	-	1	4	10	16	22	36	40	50
HG Models									
1A	12	23	29	32	40	40	28	22	18
3A	-	10	15	19	25	26	22	21	21
6A	-	4	10	14	18	18	14	14	14

Line-to-line in 50 ohm circuit

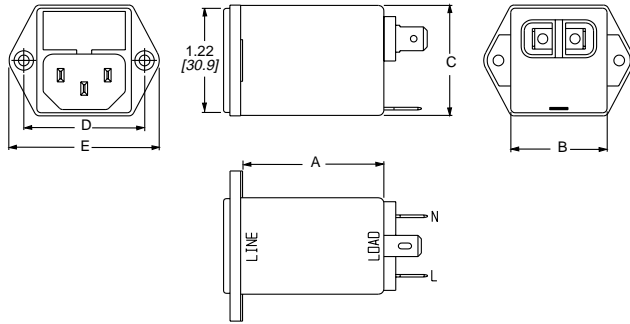
Current Rating	Frequency-MHz							
	.01	.15	.5	1	3	5	10	30
GG/GS Models								
1A	1	3	14	23	41	47	50	44
3A	1	2	11	14	25	38	44	40
6A	1	2	10	13	23	33	39	42
HG Models								
1A	1	3	26	35	35	35	27	20
3A	1	2	30	30	30	30	30	30
6A	1	2	30	30	30	30	30	30



GG/HG Series

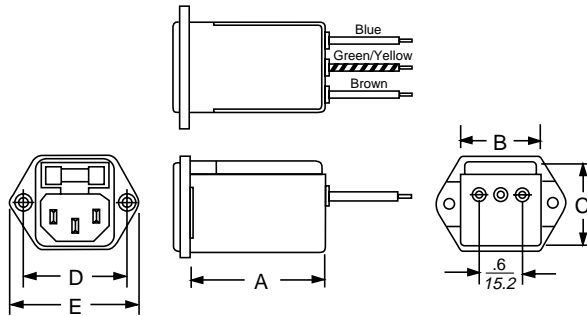
Case Styles

GG1/HG1



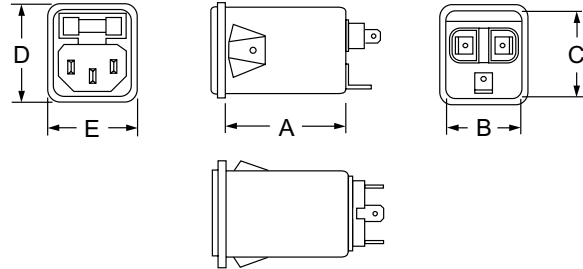
Typical dimensions:
Terminals: .250 [6.35] (3) Holes: .07 [1.8] Dia.
Mounting Holes: .126 [3.20] Dia. (2)

GG8



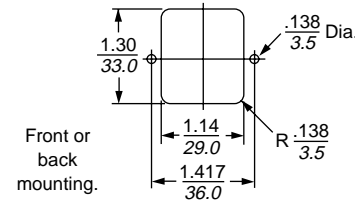
Typical dimensions:
Wire leads: 5.0 [127.0] Min. 18 AWG Mounting Holes: .126 [3.20] Dia. (2)

EGS

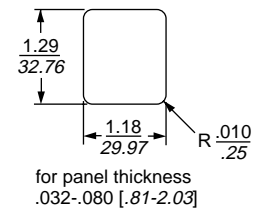


Recommended Panel Cutout

GG/HG



Snap-In Version (EGS)



Case Dimensions

Part No.	A (max)	B (max)	C (max)	D $\pm .015$ $\pm .38$	E (max)
EGG1-1/EGG1-2/	1.66	1.13	1.29	1.417	1.76
EHG1-2	42.2	28.7	32.8	36.0	44.7
EGG8-1/EGG8-2	2.02	1.13	1.29	1.417	1.76
	51.1	28.7	32.8	36.0	44.7
EGG1C-1/EGG1C-2	2.02	1.13	1.29	1.417	1.76
	62.2	28.7	32.8	36.0	44.7
EGG8C-1/EGG8C-2	2.02	1.13	1.29	1.417	1.76
	51.1	28.7	32.8	36.0	44.7
EGS1-1/EGS1-2	1.50	1.13	1.29	1.46	1.42
	38.1	28.7	32.5	36.0	36.1

*HG 1-2 models same as GG 1-2.

Part Number	RFI Filter Type	Current Rating ³	Metric Fuseholders	Load Side Terminations
1EGG1-1	General Purpose ²	1	1	Terminals
1EGG1-2	General Purpose	1	2	Terminals
1EGG8-1	General Purpose	1	1	Wire Leads
1EGG8-2	General Purpose	1	2	Wire Leads
1EGS1-1	General Purpose	1	1	Terminals
1EGS1-2	General Purpose	1	2	Terminals
3EGG1-1	General Purpose	3	1	Terminals
3EGG1-2	General Purpose	3	2	Terminals
3EGG8-1	General Purpose	3	1	Wire Leads
3EGG8-2	General Purpose	3	2	Wire Leads
3EGS1-1	General Purpose	3	1	Terminals
3EGS1-2	General Purpose	3	2	Terminals
6EGG1-1	General Purpose	6	1	Terminals
6EGG1-2	General Purpose	6	2	Terminals
6EGG8-1	General Purpose	6	1	Wire Leads
6EGG8-2	General Purpose	6	2	Wire Leads
6EGS1-1	General Purpose	6	1	Terminals
6EGS1-2	General Purpose	6	2	Terminals
1EHG1-2	Medical	1	2	Terminals
3EHG1-2	Medical	3	2	Terminals
6EHG1-2	Medical	6	2	Terminals

¹ Ground choke available on general purpose models. Add suffix (1EGG1C-1). Does not include EGS models.

² General purpose filter for susceptibility applications. ³ Current rating @120 VAC and 250 VAC.