

[查询"1N629"供应商](#)

silicon diodes

Type	Maximum Peak Reverse Voltage (volts)	Maximum Forward Voltage (volts)	Forward Current (mA)	Reverse Current (μ A) 25°C	Reverse Current (μ A) 150°C (See Notes)	Reverse Voltage (volts)	Capacitance (pf)	Recovery Time (μ sec)	Power Dissipation (mW)	Case Style
1N42A	5.0	0.5	15	15	—	0.5	—	—	250	DO-7
1N194	50	2.0	1.5	60	600	40	—	0.1	250	DO-7
1N194A	56	1.0	40	—	—	—	—	0.1	250	DO-7
1N185	50	2.0	2.0	80	700	40	—	0.1	250	DO-7
1N198	50	2.0	1.5	40	500	50	—	0.1	250	DO-7
1N200	6.8	1.0	50	0.5	5 (2)	6.8	50*	—	150	C-1
1N201	8.2	1.0	35	0.5	5 (2)	8.2	35*	—	150	C-1
1N202	10	1.0	30	0.5	5 (2)	10	30*	—	150	C-1
1N203	12	1.0	23	0.5	5 (2)	12	28*	—	150	C-1
1N204	15	1.0	17	0.5	5 (2)	15	25*	—	150	C-1
1N205	18	1.0	12	0.1	10 (2)	18	20*	—	150	C-1
1N206	22	1.0	9	0.1	10 (2)	22	15*	—	150	C-1
1N207	27	1.0	7	0.1	10 (2)	27	12*	—	150	C-1
1N208	33	1.0	5.5	0.1	10 (2)	33	10*	—	150	C-1
1N209	39	1.0	4.5	0.1	10 (2)	39	8*	—	150	C-1
1N210	47	1.0	3.5	0.1	10 (2)	47	6*	—	150	C-1
1N211	56	1.0	2.7	1.0	50 (2)	56	5.6*	—	150	C-1
1N212	68	1.0	2.0	1.0	50 (2)	68	5.2*	—	150	C-1
1N213	82	1.0	1.5	1.0	50 (2)	82	4.8*	—	150	C-1
1N214	100	1.0	1.2	1.0	50 (2)	100	4.5*	—	150	C-1
1N215	120	1.0	0.9	1.0	50 (2)	120	4.2*	—	150	C-1
1N216	150	1.0	0.7	5	100 (2)	150	3.8*	—	150	C-1
1N217	180	4.0	6.5	5	100 (2)	180	3.5*	—	150	C-1
1N218	220	4.0	5.0	5	100 (2)	220	3.2*	—	150	C-1
1N219	270	4.0	3.0	5	100 (2)	270	3.0*	—	150	C-1
1N220	330	4.0	2.2	5	100 (2)	330	2.8*	—	150	C-1
1N221	390	4.0	2.0	5	100 (2)	390	2.6*	—	150	C-1
1N222	470	4.0	1.5	5	100 (2)	470	2.4*	—	150	C-1
1N251	30	1.0	5	0.1	10 (1)	10	—	0.15	150	DO-7
1N251A	125	1.0	10	10	—	10	—	—	250	DO-7
1N252	20	1.0	10	0.1	10 (1)	5	—	0.15	150	DO-7
1N252A	125	1.0	10	10	50 (1)	10	—	—	250	DO-7
1N300	15	1.0	15	—	0.1 (2)	10	5.0**	—	150	DO-7
1N301	70	1.0	5	.01	0.2 (2)	10	4.0**	—	150	C-47
1N301A	70	1.0	18	.01	0.2 (2)	10	5.0**	—	150	C-47
1N302	225	1.0	1	.01	0.5 (2)	10	2.0**	—	150	C-47
1N302A	225	1.0	5	.01	0.5 (2)	10	2.0**	—	150	C-47
1N303	125	1.0	3	.01	0.3 (2)	10	3.0**	—	150	DO-7
1N303A	125	1.0	12	.01	0.3 (2)	10	3.0**	—	150	DO-7
1N303B	125	1.0	50	.01	0.3 (2)	10	3.3**	—	150	DO-7
1N330	32	1.0	3	.03	—	20	—	—	150	DO-7
1N331	16	1.0	5	.01	—	10	—	—	150	DO-7
1N350	70	1.0	20	.03	5 (1)	60	—	—	150	C-1b
1N351	120	1.0	20	.03	5 (1)	100	—	—	150	C-1b
1N352	170	1.0	20	.05	10 (1)	150	—	—	150	C-1b
1N353	225	1.0	20	0.1	20 (1)	200	—	—	150	C-1b
1N354	325	1.0	20	0.1	20 (1)	300	—	—	150	C-1b
1N379	8.2	1.0	35	0.5	5.0 (2)	8.2	—	—	150	DO-7
1N380	10	1.0	30	0.5	5.0 (2)	10	—	—	150	DO-7
1N381	12	1.0	23	0.5	5.0 (2)	12	—	—	150	DO-7
1N382	15	1.0	17	0.5	5.0 (2)	15	—	—	150	DO-7
1N383	18	1.0	12	0.1	10 (2)	18	—	—	150	DO-7
1N384	22	1.0	9.0	0.1	10 (2)	22	—	—	150	DO-7
1N385	27	1.0	7.0	0.1	10 (2)	27	—	—	150	DO-7
1N386	33	1.0	5.5	0.1	10 (2)	33	—	—	150	DO-7
1N387	39	1.0	4.5	0.1	10 (2)	39	—	—	150	DO-7
1N388	47	1.0	3.5	0.1	10 (2)	47	—	—	150	DO-7
1N389	56	1.0	2.7	1.0	50 (2)	56	—	—	150	DO-7
1N390	68	1.0	2.0	1.0	50 (2)	68	—	—	150	DO-7
1N391	82	1.0	1.5	1.0	50 (2)	82	—	—	150	DO-7
1N392	100	1.0	1.2	1.0	50 (2)	100	—	—	150	DO-7
1N393	120	1.0	0.9	1.0	50 (2)	120	—	—	150	DO-7
1N394	150	1.0	0.7	5.0	100 (2)	150	—	—	150	DO-7
1N431	68	—	10	—	1.0 (3)	68	—	—	150	C-1
1N432	40	1.0	10	.005	3	10	4	.003	250	C-47
1N432A	40	1.0	20	—	3	10	4	.003	—	C-47
1N432B	40	1.0	50	—	7	10	5.5	.003	—	C-47
1N433	145	1.0	3.0	—	7	10	1.3	.003	—	C-47
1N433A	145	1.0	10	—	7	10	1.5	.003	—	C-47
1N433B	145	1.0	50	—	7	10	1.5	.003	—	C-47
1N434	180	1.0	2	.01	0.4 (2)	10	1.0	—	250	C-47
1N434A	180	1.0	7	—	0.4 (2)	10	1.3	—	250	C-47
1N458	30	1.0	40	.025	5	25	—	.003	—	DO-35
1N458A	30	1.0	100	.025	5	25	—	—	250	DO-35
1N458AM	30	1.0	100	.025	5	25	—	—	250	DO-35

Notes: (1) +125°C (2) +100°C (3) +80°C

* @ 6V test voltage
† mA

** @ 10V test voltage

查询"1N629"供应商
TOLL FREE NUMBER 800-777-3960

silicon diodes cont'd

Type	Maximum Peak Reverse Voltage (volts)	Maximum Forward Voltage (volts)	Forward Current (mA)	Reverse Current (μA) 25°C	Reverse Current (μA) 150°C (See Notes)	Reverse Voltage (volts)	Capacitance (pF)	Recovery Time (μsec)	Power Dissipation (mW)	Case Style
1N457	70	1.0	20	.025	5	60	—	—	250	DO-35
1N457A	70	1.0	100	.025	5	60	—	—	250	DO-35
1N457AM	70	1.0	100	.025	5	60	—	—	300	DO-35
1N457M	80	1.0	20	.025	5	60	—	—	200	DO-35
1N458	150	1.0	7	.025	5	125	—	—	250	DO-35
1N458A	150	1.0	100	.025	5	125	—	—	250	DO-35
1N458AM	150	1.0	100	.025	5	125	—	—	300	DO-35
1N458M	175	1.0	7	.025	5	125	—	—	250	DO-35
1N459	200	1.0	3	.025	5	175	—	—	250	DO-35
1N459A	200	1.0	100	.025	5	175	—	—	250	DO-35
1N460A	90	1.0	1.5	—	10	75	4.5	2.0	—	DO-35
1N460B	90	1.0	50	—	10	75	5.0	2.0	—	DO-35
1N461	30	1.0	15	0.5	30	25	—	—	250	DO-7
1N461A	30	1.0	100	0.5	30	25	—	—	250	DO-7
1N461AM	30	1.0	100	0.5	30	25	—	—	300	DO-7
1N461M	30	1.0	15	0.5	30	25	—	—	300	DO-7
1N462	70	1.0	5	0.5	30	60	—	—	250	DO-7
1N462A	70	1.0	100	0.5	30	60	—	—	250	DO-7
1N462AM	70	1.0	100	0.5	30	60	—	—	300	DO-7
1N462M	70	1.0	5	0.5	30	60	—	—	300	DO-7
1N463	200	1.0	1	.5	30	175	—	—	250	DO-7
1N463A	200	1.0	100	.5	30	175	—	—	250	DO-7
1N464	150	1.0	3	.5	30	125	—	—	250	DO-7
1N464A	150	1.0	100	.5	30	125	—	—	250	DO-7
1N462	40	1.1	100	.25	30	30	—	—	250	DO-7
1N482A	40	1.0	100	.025	15	30	—	—	250	DO-7
1N482B	40	1.0	100	.025	5	30	—	—	250	DO-7
1N482BM	40	1.0	100	.025	5	30	—	—	300	DO-7
1N482C	36	1.0	100	.025	—	30	—	—	300	DO-7
1N482M	40	1.1	100	.25	30	30	—	—	300	DO-7
1N483	80	1.1	100	.25	30	60	—	—	250	DO-7
1N483A	80	1.0	100	.025	15	60	—	—	250	DO-7
1N483AM	80	1.0	100	.025	15	60	—	—	300	DO-7
1N483B	80	1.0	100	.025	5	60	—	—	250	DO-7
1N483BM	80	1.0	100	.025	5	60	—	—	300	DO-7
1N483C	70	1.0	100	.005	—	60	—	—	300	DO-7
1N483M	80	1.0	100	.25	30	60	—	—	300	DO-7
1N484	150	1.1	100	.25	30	125	—	—	250	DO-7
1N484A	150	1.0	100	.025	15	125	—	—	250	DO-7
1N484B	150	1.0	100	.025	5	125	—	—	250	DO-7
1N484C	130	1.0	100	.005	—	125	—	—	—	DO-7
1N485	200	1.1	100	.25	30	175	—	—	250	DO-7
1N485A	200	1.0	100	.025	15	175	—	—	250	DO-7
1N485B	200	1.0	100	.025	5	175	—	—	250	DO-7
1N485C	180	1.0	100	.005	—	175	—	—	250	DO-7
1N486	250	1.1	100	.25	50	225	—	—	250	DO-7
1N486A	250	1.0	100	.05	25	225	—	—	250	DO-7
1N486B	250	1.0	100	.05	10	225	—	—	250	DO-7
1N487	330	1.1	100	.25	50	300	—	—	250	DO-7
1N487A	330	1.0	100	0.1	25	300	—	—	250	DO-7
1N487B	360	1.0	100	.025	10	300	—	—	—	DO-7
1N488	420	1.1	100	.25	50	380	—	—	250	DO-7
1N488A	420	1.0	100	0.1	25	380	—	—	250	DO-7
1N488B	380	1.0	100	0.1	10	380	—	—	250	DO-7
1N619	30	1.0	3	.08	16 (2)	10	—	—	—	DO-7
1N625	35	1.5	4	1.0	30	20	—	1.0	200	DO-7
1N625A	20	1.5	10	0.1	30	20	—	0.5	200	DO-7
1N626	50	1.5	4	1.0	30	35	—	1.0	200	DO-7
1N626A	35	1.5	10	0.1	30	35	—	0.5	200	DO-7
1N627	100	1.5	4	1.0	30	75	—	1.0	200	DO-7
1N627A	75	1.5	10	0.1	30	75	—	0.5	200	DO-7
1N628	150	1.5	4	1.0	30	125	—	1.0	200	DO-7
1N629	200	1.5	4	1.0	30	175	—	1.0	200	DO-7
1N643	200	1.0	10	.025	5 (1)	10	—	0.3	200	DO-7
1N643A	200	1.0	100	.025	5 (2)	10	—	—	200	DO-7
1N645	275 (2)	1.0	400	0.2	15 (2)	275	—	—	400	DO-7
1N645A	225	1.0	400	0.2	—	225	—	—	600	DO-7
1N646	360 (2)	1.0	400	0.2	15 (2)	360	—	—	400	DO-7
1N647	480 (2)	1.0	400	0.2	20 (2)	480	—	—	400	DO-7
1N648	600 (2)	1.0	400	0.2	20 (2)	600	—	—	400	DO-7
1N649	720 (2)	1.0	400	0.2	25 (2)	720	—	—	400	DO-7
1N658	120	1.0	100	.05	25	50	—	0.3	200	DO-7
1N658A	120	1.0	100	.025	10	50	—	0.3	200	DO-7
1N659	35	1.0	6	5	25 (2)	80	—	0.3	200	DO-7
1N659A	50	1.0	10	.05	50	50	—	0.3	200	DO-7

Notes: (1) +125°C (2) +100°C

查询"1N629"供应商

silicon diodes cont'd

Type	Maximum Peak Reverse Voltage (volts)	Maximum Forward Voltage (volts)	Forward Current (mA)	Reverse Current (μA) 25°C	Reverse Current (μA) 150°C (See Notes)	Reverse Voltage (volts)	Capacitance (pF)	Recovery Time (μsec)	Power Dissipation (mW)	Case Style
1N903A	—	1.0	20	0.1	10 (2)	40	—	4	250	DO-7
1N904	—	1.0	10	0.1	10 (2)	30	1.0	.004	250	DO-7
1N904A	40	1.0	20	0.1	10 (2)	30	1.0	.004	250	DO-7
1N905	—	1.0	10	0.1	10 (2)	20	1.0	.004	250	DO-7
1N905A	30	1.0	20	0.1	10 (2)	20	1.0	.004	250	DO-7
1N906	—	1.0	10	0.1	10 (2)	20	2.5	.004	250	DO-7
1N906A	—	1.0	90	0.1	10 (2)	20	2.5	.004	250	DO-7
1N907	—	1.0	10	0.1	10 (2)	30	2.5	.004	250	DO-7
1N907A	—	1.0	20	0.1	10 (2)	30	2.5	.004	250	DO-7
1N908	—	1.0	10	0.1	10 (2)	40	2.5	.004	250	DO-7
1N908A	—	1.0	20	0.1	10 (2)	40	2.5	.004	250	DO-7
1N914	100	1.0	10	.025	50 (2)	40	2.5	.004	250	DO-7
1N914A	100	1.0	20	.025	50	20	4.0	.004	250	DO-35
1N914B	100	1.0	100	.025	50	20	4.0	.004	250	DO-35
1N915	50	1.0	50	.025	50	20	4.0	.004	250	DO-35
1N916	100	1.0	10	.025	5 (2)	10	4.0	.01	—	DO-35
1N916A	100	1.0	20	.025	50	20	2.0	.004	250	DO-35
1N916B	75	1.0	20	.025	50	20	2.0	.004	250	DO-35
1N917	30	1.0	10	.05	—	10	2.0	.004	250	DO-35
1N920	36	1.0	500	0.25	—	10	—	0.3	250	DO-35
1N921	70	1.0	500	0.25	—	30	—	0.3	250	DO-7
1N922	100	1.0	500	0.25	—	60	—	0.3	250	DO-7
1N923	130	1.0	500	0.25	—	90	—	0.3	250	DO-7
1N925	40	1.0	5	1.0	20 (2)	10	4.0	.15	250	DO-7
1N926	40	1.0	5	0.1	10 (2)	10	4.0	.15	250	DO-7
1N927	65	1.0	10	0.1	10 (2)	10	4.0	.15	250	DO-7
1N928	—	1.0	10	0.1	10 (2)	10	4.0	.15	250	DO-7
1N929	20	1.0	20	100	10 (2)	10/100	—	.15	250	DO-7
1N930	50	1.0	20	100	—	25	—	—	80	DO-7
1N931	100	1.0	20	100	—	75	—	—	80	DO-7
1N932	200	1.0	20	100	—	125	—	—	—	DO-7
1N934	70	1.0	30	.025	—	250	—	—	—	DO-7
1N948	40	1.5	100	0.25	—	60	—	—	—	DO-7
1N950	8	1.5	10	1.0	20	30	—	1.0	250	DO-7
1N997	35	1.0	10	.03	5	6	—	.004	50	DO-7
1N3062	75 @ 5μA	1.0	20	0.1	100	50	1	.002	250	DO-7
1N3063	75	0.85	10	0.1	100	50	2	.004	250	DO-7
1N3064	75	1.0	10	0.1	100	50	2	.004	250	DO-7
1N3065	75	1.0	20	0.1	100	50	1.5	.004	250	DO-7
1N3066	75	1.0	10	0.1	100	50	1	.002	250	DO-7
1N3067	30	1.0	5	0.1	100	20	4	.004	250	DO-7
1N3068	30	1.0	5	0.1	100	20	6	.050	250	DO-7
1N3069	65	1.0	50	0.1	100	50	5	.050	250	DO-7
1N3070	200	1.0	100	0.1	100	175	5	.050	250	DO-7
1N3071	200	1.0	100	0.1	100	150	5	.050	—	DO-7
1N3123	40	1.5	10	0.1	10 ¹ (2)	40	0.8	.004	—	DO-7
1N3124	40	1.0	20	0.1	—	40	2.0	.004	—	DO-7
1N3257	100	1.0	30	.025	25	20/50	2	.003	250	DO-7
1N3258	100	1.0	100	.025	25	20/50	4	.004	250	DO-7
1N3550	180	1.0	500	—	200 (2)	100	—	1.5	—	DO-7
1N3596	20	1.0	30	0.1	100	20	1.0	.004	—	DO-7
1N3597	150	1.2	490	0.1	100	150	5.0	0.3	—	DO-7
1N3598	50	0.85	10	0.1	100	50	2.0	.04	—	DO-7
1N3599	150	1.0	100	0.1	100	150	5.0	.05	—	DO-7
1N3600	50	1.0	200	0.1	100	50	2.5	.004	250	DO-7
1N3601	75	1.0	10	10	100	75	3.0	.005	—	DO-7
1N3602	75	1.0	20	0.1	—	50	3.0	.005	—	DO-7
1N3604	75	1.0	50	.05	50	50	2	.004	250	DO-7
1N3605	30	0.55	0.1	.05	50	30	2	.002	—	DO-7
1N3606	50	0.55	0.1	.05	50	50	2	.002	—	DO-7
1N3643	1000	5.0	250	5.0	—	1000	—	—	1000	A-83a
1N3644	1500	5.0	250	5.0	—	1500	—	—	1000	A-83a
1N3645	2000	5.0	250	5.0	—	2000	—	—	1000	A-83a
1N3646	2500	5.0	250	5.0	—	2500	—	—	1000	A-83a
1N3647	3000	5.0	250	5.0	—	3000	—	—	1000	A-83a
1N3668	30	1.0	5	—	10 (1)	15	1.0	0.15	—	DO-7
1N3731	100	1.0	100	.05	50	50	2	.003	250	DO-7
1N3872	90	1.0	150	0.1	—	75	5.0	.015	—	DO-7
1N3958	100	0.5	1.25	—	400	100	—	3.0	—	DO-4
1N3959	200	0.5	1.25	—	400	200	—	3.0	—	DO-4
1N3960	300	0.5	1.25	—	400	300	—	3.0	—	DO-4
1N3961	400	0.5	1.25	—	400	400	—	3.0	—	DO-4
1N3962	500	0.5	1.25	—	400	500	—	3.0	—	DO-4
1N3963	600	0.5	1.25	—	400	600	—	3.0	—	DO-4
1N3962	4000	5.0	250	—	—	—	—	—	1000	A-83a

Notes: (2) +100°C (5) +50°C 1 mA

TOLL FREE NUMBER 800-777-3960

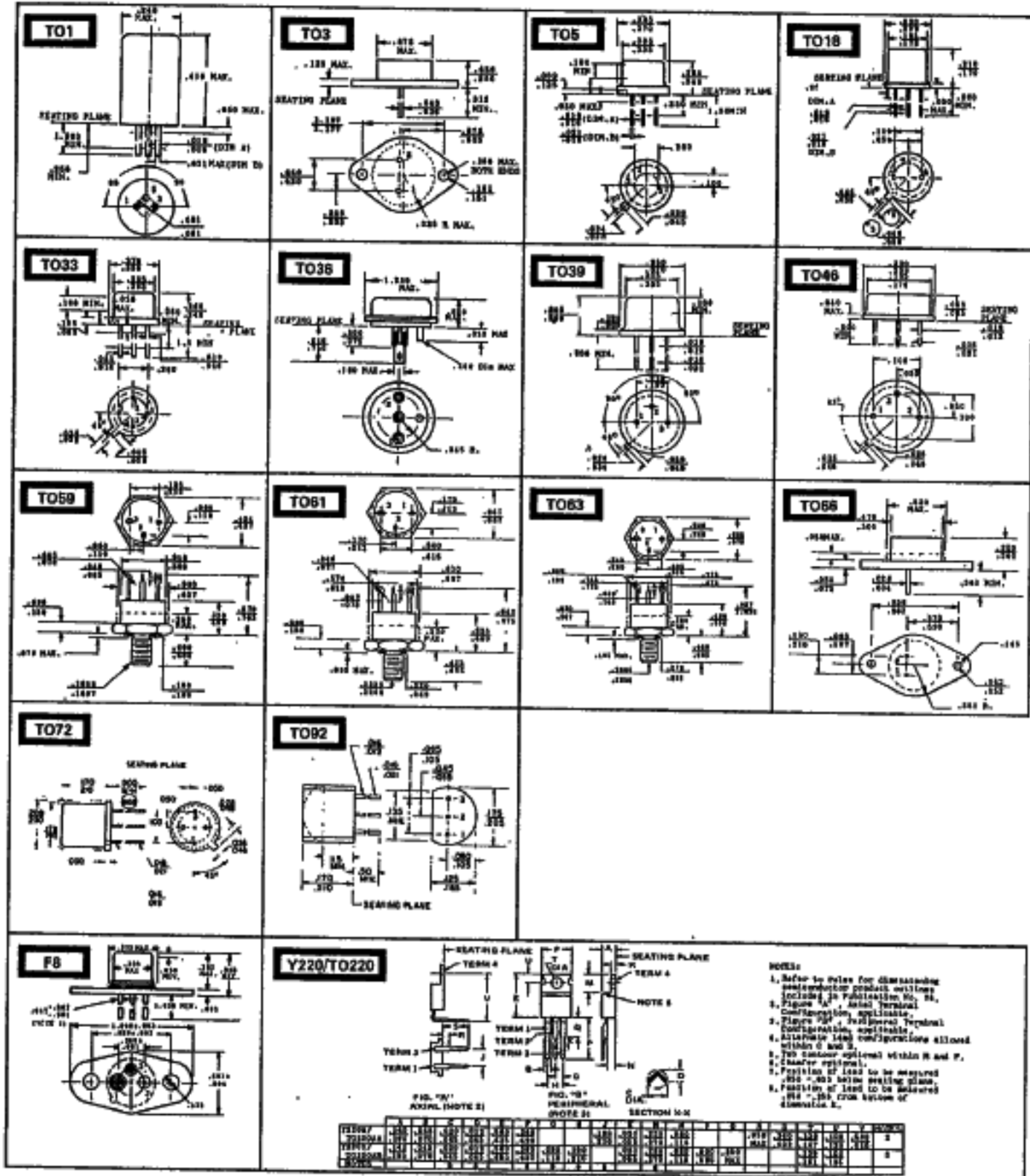
silicon diodes cont'd

Type	Maximum Peak Reverse Voltage (volts)	Maximum Forward Voltage (volts)	Forward Current (mA)	Reverse Current (μA) 25°C	Reverse Current (μA) 150°C (See Notes)	Reverse Voltage (volts)	Capacitance (pF)	Recovery Time (μsec)	Power Dissipation (mW)	Case Style
1N4008	35	1.0	30	0.1	100	25	4	.004	250	DO-7
1N4087	—	.700 min./ .750 max.	5	.09	100	50	1.8	.030	250	DO-7
1N4092	50	1.0	5	1.0	—	10	10	—	250	DO-7
	—	—	—	—	5 (4)	20	—	—	—	DO-7
1N4147	30	1.0	30	8	—	30	6.0	.01	—	DO-7
1N4148	100	1.0	10	.025	50	20	4	—	400	DO-35
1N4149	100	1.0	10	.025	50	20	2	—	400	DO-35
1N4150	50	.54 min./ .62 max.	1.0	0.1	100	50	2.5	—	400	DO-35
1N4151	75	1.0	50	.05	50	50	2	—	400	DO-35
1N4152	40	.490 min./ .550 max.	0.1	.05	50	30	2	—	400	DO-35
1N4153	75	.490 min./ .550 max.	0.1	.05	50	30	2	—	400	DO-35
1N4154	35	1.0	30	0.1	100	25	4	—	400	DO-35
1N4157	30	2.7	100	.05	50	20	20	—	400	A-159a
1N4242	40	1.0	10	0.1	100 (2)	20	2.0	.002	—	M-117a
1N4243	40	1.0	10	0.1	100 (2)	20	2.0	.002	—	M-117a
1N4305	50	0.85	10	0.1	100	50	2.0	.004	400	DO-35
1N4306††	50	0.55	0.1	.05	.05	50	1.0	.002	—	M-117
1N4307††	50	0.55	0.1	.05	.05	50	1.0	.002	—	M-118
1N4308	100	0.53	0.25	0.1	0.1	75	2.0	.002	—	DO-7
1N4378	20	1.1	50	0.1	0.1	10	1.0	.00075	—	DO-7
1N4389	5.0	1.0	2.0	100	—	5.0	—	—	—	DO-7
1N4390	20	1.0	5.0	0.2	2 (2)	5.0	1.0	.0005	—	DO-7
1N4391	20	1.0	2.0	0.2	2 (2)	5.0	1.0	.0005	—	DO-7
1N4392	15	1.0	2.0	1.0	20 (2)	5.0	1.0	.0005	—	DO-7
1N4446	100	1.0	20	.025	.05	20	4.0	.004	250	DO-7
1N4447	100	1.0	20	.025	50	20	2.0	.004	250	DO-7
1N4448	100	1.0	100	.025	50	20	4.0	.004	250	DO-7
1N4449	100	1.0	30	.025	50	20	2.0	.004	250	DO-7
1N4450	40	1.0	200	.05	50	30	4.0	.004	—	A-48bt
1N4451	40	1.0	300	.05	50	20	6.0	.01	—	A-48bt
1N4454	75	1.0	10	0.1	100	50	2.0	4.0	500	DO-35
1N4666	85	1.1	250	0.1	28 @ 100°C	50	2.5	4.0	500	DO-35

multipellet silicon signal diodes

Part Number	BV @ 5μA (V)	I _F @ 25°C Max.		V _F Max.		C ₀ @ 0V Max. (pF)	t _r (nsec)	Package Type
		(mA)	@ V _F (V)	(V)	@ I _F (mA)			
1N4158	30	50	20	1.58	10	25	—	D035
1N4187	30	50	20	2.32	10	20	—	D035
1N4453	30	50	20	.800	10	30	—	D035
1N4428	30	100	20	.830	10	35	—	D035
1N4429	30	100	20	1.61	10	25	—	D035
1N4430	30	100	20	2.35	10	20	—	D035
1N5178	30	50	20	3.20	10	20	—	D035
MPD200	70	30	30	1.54	10	15	—	D035
MPD201	50	90	20	1.57	10	15	—	D035
MPD202	50	90	20	1.80	10	15	—	D035
MPD203	50	90	20	1.51	10	15	—	D035
STB567	50	500	20	1.61	10	15	—	D035
MPD300	100	30	30	2.33	10	10	—	D035
MPD301	60	40	20	2.32	10	10	—	D035
MPD302	60	90	20	2.32	10	10	—	D035
STB568	60	500	20	2.31	10	10	—	D035
MPD400	120	30	30	3.07	10	7	—	D035
MPD401	75	50	20	3.01	10	7	—	D035
MPD402	75	90	20	3.01	10	7	—	D035
STB569	75	500	20	3.01	10	7	—	D035

case outline drawings



case outline drawings cont'd

DO1-3

DO13

DO27

DO4

DO35

DO41

DO5

A249

SYMBOL	MIN.	MAX.	MIN.	MAX.	NOTES
W	.015	.025	0.418	0.534	1
H	.015	.030	2.26	3.71	1
C	.735	.760	0.89	1.03	1
L	1.485	-	15.46	-	1
L ₁	-	.015	-	1.57	2

DO7

DO8

C212

C223

DO9

DO10

F22