

REVISIONS

LTR	DESCRIPTION	DATE (YR-MO-DA)	APPROVED
	查询"5962-9672701VRC"供应商		

REV																				
SHEET																				
REV																				
SHEET	15	16																		
REV STATUS OF SHEETS		REV																		
		SHEET		1	2	3	4	5	6	7	8	9	10	11	12	13	14			
PMIC N/A		PREPARED BY Tom Hess				DEFENSE ELECTRONICS SUPPLY CENTER DAYTON, OHIO 45444														
STANDARD MICROCIRCUIT DRAWING THIS DRAWING IS AVAILABLE FOR USE BY ALL DEPARTMENTS AND AGENCIES OF THE DEPARTMENT OF DEFENSE AMSC N/A		CHECKED BY Tom Hess				MICROCIRCUIT, DIGITAL, CMOS, BUS CONTROLLER, MONOLITHIC SILICON														
		APPROVED BY Monica L. Poelking																		
		DRAWING APPROVAL DATE 96-02-23				SIZE A	CAGE CODE 67268	5962-96727												
		REVISION LEVEL				SHEET	1	OF	16											

DESC FORM 193
JUL 94

DISTRIBUTION STATEMENT A. Approved for public release; distribution is unlimited.

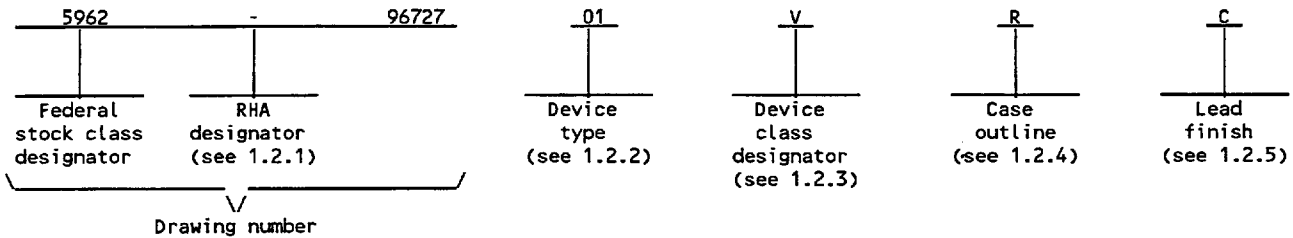
5962-E306-96

9004708 0020213 828

1. SCOPE

1.1 Scope. This drawing forms a part of a one part - one part number documentation system (see 6.6 herein). Two product assurance classes consisting of military high reliability (device classes Q and M) and space application (device class V), and a choice of case outlines and lead finishes are available and are reflected in the Part or Identifying Number (PIN). Device class M microcircuits represent non-JAN class B microcircuits in accordance with 1.2.1 of MIL-STD-883, "Provisions for the use of MIL-STD-883 in conjunction with compliant non-JAN devices". When available, a choice of Radiation Hardness Assurance (RHA) levels are reflected in the PIN.

1.2 PIN. The PIN shall be as shown in the following example:



1.2.1 RHA designator. Device class M RHA marked devices shall meet the MIL-I-38535 appendix A specified RHA levels and shall be marked with the appropriate RHA designator. Device classes Q and V RHA marked devices shall meet the MIL-I-38535 specified RHA levels and shall be marked with the appropriate RHA designator. A dash (-) indicates a non-RHA device.

1.2.2 Device type(s). The device type(s) shall identify the circuit function as follows:

Device type	Generic number	Circuit function
01	82C88/7	Latchup resistant, CMOS, bus controller

1.2.3 Device class designator. The device class designator shall be a single letter identifying the product assurance level as follows:

Device class	Device requirements documentation
M	Vendor self-certification to the requirements for non-JAN class B microcircuits in accordance with 1.2.1 of MIL-STD-883
Q or V	Certification and qualification to MIL-I-38535

1.2.4 Case outline(s). The case outline(s) shall be as designated in MIL-STD-1835 and as follows:

Outline letter	Descriptive designator	Terminals	Package style
R	CDIP2-T20	20	Dual-in-line package

1.2.5 Lead finish. The lead finish shall be as specified in MIL-STD-883 (see 3.1 herein) for class M or MIL-I-38535 for classes Q and V. Finish letter "X" shall not be marked on the microcircuit or its packaging. The "X" designation is for use in specifications when lead finishes A, B, and C are considered acceptable and interchangeable without preference.

STANDARD MICROCIRCUIT DRAWING DEFENSE ELECTRONICS SUPPLY CENTER DAYTON, OHIO 45444	SIZE A		5962-96727
		REVISION LEVEL	SHEET 2

1.3 Absolute maximum ratings. 1/

Supply voltage (V_{CC})	+8.0 V dc
Input voltage range	GND -0.5 V dc to V_{CC} +0.5 V dc
Storage temperature range (T_{STG})	-65°C to +150°C
Thermal resistance, Junction-to-case (θ_{JC})	12°C/W
Thermal resistance, Junction-to-ambient (θ_{JA})	68°C/W
Maximum package power dissipation at $T_A = +125^\circ\text{C}$ (P_D) 2/	0.74 W
Junction temperature (T_J)	+175°C
Lead temperature (soldering, 10 seconds)	+275°C

1.4 Recommended operating conditions.

Operating supply voltage range (V_{DD})	4.5 V dc to +5.5 V dc
Operating temperature range (T_A)	-55°C to +125°C
Input low voltage range (V_{IL})	0 V dc to +0.7 V dc
Input high voltage range, except clock pin (V_{IH})	2.2 V dc to V_{DD}
Input high voltage range, clock pin (V_{IHC})	V_{DD} - 0.8 to V_{DD}

2. APPLICABLE DOCUMENTS

2.1 Government specification, standards, bulletin, and handbook. Unless otherwise specified, the following specification, standards, bulletin, and handbook of the issue listed in that issue of the Department of Defense Index of Specifications and Standards specified in the solicitation, form a part of this drawing to the extent specified herein.

SPECIFICATION

MILITARY

MIL-I-38535 - Integrated Circuits, Manufacturing, General Specification for.

STANDARDS

MILITARY

MIL-STD-883 - Test Methods and Procedures for Microelectronics.
 MIL-STD-973 - Configuration Management.
 MIL-STD-1835 - Microcircuit Case Outlines.

BULLETIN

MILITARY

MIL-BUL-103 - List of Standardized Military Drawings (SMD's).

HANDBOOK

MILITARY

MIL-HDBK-780 - Standardized Military Drawings.

(Copies of the specification, standards, bulletin, and handbook required by manufacturers in connection with specific acquisition functions should be obtained from the contracting activity or as directed by the contracting activity.)

2.2 Order of precedence. In the event of a conflict between the text of this drawing and the references cited herein, the text of this drawing shall take precedence.

- 1/ Stresses above the absolute maximum rating may cause permanent damage to the device. Extended operation at the maximum levels may degrade performance and affect reliability.
- 2/ If device power exceeds package dissipation capability, provide heat sinking or derate linearly (the derating is based on θ_{JA}) at the rate of 14.7 mW/°C.

STANDARD MICROCIRCUIT DRAWING DEFENSE ELECTRONICS SUPPLY CENTER DAYTON, OHIO 45444	SIZE A		5962-96727
		REVISION LEVEL	SHEET 3

DESC FORM 193A
 JUL 94

■ 9004708 0020215 6T0 ■

3. REQUIREMENTS

3.1 Item requirements. The individual item requirements for device class M shall be in accordance with 1.2.1 of MIL-STD-883, "Provisions for the use of MIL-STD-883 in conjunction with compliant non-JAN devices" and as specified herein. The individual item requirements for device classes Q and V shall be in accordance with MIL-I-38535 and as specified herein or as modified in the device manufacturer's Quality Management (QM) plan. The modification in the QM plan shall not effect the form, fit, or function as described herein.

3.2 Design, construction, and physical dimensions. The design, construction, and physical dimensions shall be as specified in MIL-STD-883 (see 3.1 herein) for device class M and MIL-I-38535 for device classes Q and V and herein.

3.2.1 Case outline(s). The case outline(s) shall be in accordance with 1.2.4 herein.

3.2.2 Terminal connections. The terminal connections shall be as specified on figure 1.

3.2.3 Block diagram. The block diagram shall be as specified on figure 2.

3.2.4 Timing waveforms. The timing waveforms shall be as specified in figure 3.

3.3 Electrical performance characteristics and postirradiation parameter limits. Unless otherwise specified herein, the electrical performance characteristics and postirradiation parameter limits are as specified in table I and shall apply over the full ambient operating temperature range.

3.4 Electrical test requirements. The electrical test requirements shall be the subgroups specified in table IIA. The electrical tests for each subgroup are defined in table I.

3.5 Marking. The part shall be marked with the PIN listed in 1.2 herein. Marking for device class M shall be in accordance with MIL-STD-883 (see 3.1 herein). In addition, the manufacturer's PIN may also be marked as listed in MIL-BUL-103. Marking for device classes Q and V shall be in accordance with MIL-I-38535.

3.5.1 Certification/compliance mark. The compliance mark for device class M shall be a "C" as required in MIL-STD-883 (see 3.1 herein). The certification mark for device classes Q and V shall be a "QML" or "Q" as required in MIL-I-38535.

3.6 Certificate of compliance. For device class M, a certificate of compliance shall be required from a manufacturer in order to be listed as an approved source of supply in MIL-BUL-103 (see 6.7.2 herein). For device classes Q and V, a certificate of compliance shall be required from a QML-38535 listed manufacturer in order to supply to the requirements of this drawing (see 6.7.1 herein). The certificate of compliance submitted to DESC-EC prior to listing as an approved source of supply for this drawing shall affirm that the manufacturer's product meets, for device class M, the requirements of MIL-STD-883 (see 3.1 herein), or for device classes Q and V, the requirements of MIL-I-38535 and the requirements herein.

3.7 Certificate of conformance. A certificate of conformance as required for device class M in MIL-STD-883 (see 3.1 herein) or for device classes Q and V in MIL-I-38535 shall be provided with each lot of microcircuits delivered to this drawing.

3.8 Notification of change for device class M. For device class M, notification to DESC-EC of change of product (see 6.2 herein) involving devices acquired to this drawing is required for any change as defined in MIL-STD-973.

3.9 Verification and review for device class M. For device class M, DESC, DESC's agent, and the acquiring activity retain the option to review the manufacturer's facility and applicable required documentation. Offshore documentation shall be made available onshore at the option of the reviewer.

3.10 Microcircuit group assignment for device class M. Device class M devices covered by this drawing shall be in microcircuit group number 105 (see MIL-I-38535, appendix A).

STANDARD MICROCIRCUIT DRAWING DEFENSE ELECTRONICS SUPPLY CENTER DAYTON, OHIO 45444	SIZE A		5962-96727
		REVISION LEVEL	SHEET 4

TABLE I. Electrical performance characteristics.

查询"5962-9672701VRC"供应商

Test	Symbol	Conditions -55°C ≤ T _A ≤ +125°C unless otherwise specified 1/	Group A subgroups	Device type	Limits		Unit
					Min	Max	
Logical "1" input voltage	V _{IH}	V _{CC} = 5.5 V 2/ Pins 1,3,6,15,18,19	1,2,3	All	2.2		V
Logical "0" input voltage	V _{IL}	V _{CC} = 4.5 V 2/ Pins 1,3,6,15,18,19	1,2,3	All		0.7	V
Logical "1" input voltage clock	V _{IHC}	V _{CC} = 5.5 V 2/ Pin 2	1,2,3	All	4.7		V
Logical "0" input voltage clock	V _{ILC}	V _{CC} = 4.5 V Pin 2 2/	1,2,3	All		0.8	V
Output high voltage	V _{OH1A}	Pins 4,7,8,9,11-14 V _{CC} = 4.5 V, I _{OH} = -8.0 mA,	1,2,3	All	3.0		V
	V _{OH1B}	Pins 4,7,8,9,11-14 V _{CC} = 4.5 V, I _{OH} = -2.5 mA,			V _{CC} -0.4		
Output high voltage	V _{OH2A}	Pins 4,5,16,17 V _{CC} = 4.5 V, I _{OH} = -4.0 mA,	1,2,3	All	3.0		V
	V _{OH2B}	Pins 4,5,16,17 V _{CC} = 4.5 V, I _{OH} = -2.5 mA,			V _{CC} -0.4		
Output LOW voltage	V _{OL1}	Pins 4,7,8,9,11-14 V _{CC} = 4.5 V, I _{OL} = +12.0 mA	1,2,3	All		0.5	V
Output LOW voltage	V _{OL2}	Pins 4,5,16,17 V _{CC} = 4.5 V, I _{OL} = +8.0 mA	1,2,3	All		0.4	V
Input leakage current	I _{IH} I _{IL}	V _{CC} = 5.5 V, V _{IN} = GND or V _{CC} Pins 1,2,6,15	1,2,3	All	-1.0	1.0	μA
Output leakage current	I _{OZL} I _{OZH}	V _{CC} = 5.5 V, V _{OUT} = GND or V _{CC} PINS 7,8,9,11-14	1,2,3	All	-10	10	μA
Standby power supply current	I _{CCSB}	V _{CC} = 5.5 V, V _{IN} = GND or V _{DD} Outputs open	1,2,3	All		10.0	μA
Operating power supply current	I _{CCOP}	V _{CC} = 5.5 V, V _{IN} = GND or V _{DD} Outputs open, f = 10 Mhz	1,2,3	All		10.0	mA

See footnotes at end of table.

STANDARD
MICROCIRCUIT DRAWING
DEFENSE ELECTRONICS SUPPLY CENTER
DAYTON, OHIO 45444

SIZE
A

5962-96727

REVISION LEVEL

SHEET

5

TABLE I. Electrical performance characteristics - Continued.

查询"5962-9672701VRC"供应商

Test	Symbol	Conditions 1/ -55°C ≤ T _A ≤ +125°C unless otherwise specified	Group A subgroups	Device type	Limits		Unit
					Min	Max	
Input leakage current status bus	I _{BHH}	pins 3,18,19 V _{CC} = 5.5 V, Outputs open 3/	1,2,3	All	-300	-50.0	μA
Input capacitance	C _{IN}	V _{CC} = Open, f = 1 MHz All measurements referenced to GND	4	All		13	pF
Output capacitance	C _{OUT}	See 4.4.1c	4	All		20	pF
Functional tests		See 4.4.1b V _{CC} = 4.5 V and 5.5 V	7,8	All			

TIMING REQUIREMENTS

CLK cycle period	t _{CLCL}	V _{CC} = 4.5 V and 5.5 V See figure 3	9,10,11	All	125		ns
CLK low time	t _{CLCH}	2/	9,10,11	All	55		ns
CLK high time	t _{CHCL}	V _{CC} = 4.5 V and 5.5 V See figure 3 2/	9,10,11	All	45		ns
Status active setup time	t _{SVCH}		9,10,11	All	35		ns
Status inactive setup time	t _{CHSV}		9,10,11	All	10		ns
Status active hold time	t _{SHCL}		9,10,11	All	35		ns
Status inactive hold time	t _{CLSH}	See figure 3 2/ V _{CC} = 4.5 V and 5.5 V	9,10,11	All	10		ns
Control active delay	t _{CVNV}	See figure 3 V _{CC} = 4.5 V and 5.5 V Condition 1	9,10,11	All	5	45	ns
Control inactive delay	t _{CVNX}	Condition 1 See figure 3 V _{CC} = 4.5 V and 5.5 V	9,10,11	All	10	45	ns

See footnotes at end of table.

STANDARD MICROCIRCUIT DRAWING DEFENSE ELECTRONICS SUPPLY CENTER DAYTON, OHIO 45444	SIZE A		5962-96727
		REVISION LEVEL	SHEET 6

DESC FORM 193A
JUL 94

9004708 0020218 30T

TABLE I. Electrical performance characteristics - Continued.

Symbol	Conditions 1/ -55°C ≤ T _A ≤ +125°C unless otherwise specified	Group A subgroups	Device type	Limits		Unit	
				Min	Max		
ALE active delay from CLK	t _{CLLH}	V _{CC} = 4.5 V and 5.5 V See figure 3 2/ Condition 1	9,10,11	ALL		20	ns
MCE active delay from CLK	t _{CLMCH}		9,10,11	ALL		25	ns
ALE active delay from status	t _{SVLH}	V _{CC} = 4.5 V and 5.5 V See figure 3 2/ Condition 1	9,10,11	ALL		20	ns
MCE active delay from status	t _{SVMCH}		9,10,11	ALL		30	ns
Ale inactive delay	t _{CHLL}	V _{CC} = 4.5 V and 5.5 V See figure 3 Condition 1 2/	9,10,11	ALL	4	22	ns
Command active delay	t _{CLML}	2/ V _{CC} = 4.5 V and 5.5 V See figure 3, Condition 2	9,10,11	ALL	5	35	ns
Command inactive delay	t _{CLMH}	Condition 2 See figure 3 2/ V _{CC} = 4.5 V and 5.5 V	9,10,11	ALL	5	35	ns
Direction control active delay	t _{CHDTL}	Condition 1 See figure 3 2/ V _{CC} = 4.5 V and 5.5 V	9,10,11	ALL		50	ns

See notes at end of table.

STANDARD
MICROCIRCUIT DRAWING
DEFENSE ELECTRONICS SUPPLY CENTER
DAYTON, OHIO 45444

SIZE
A

5962-96727

REVISION LEVEL

SHEET

7

TABLE I. Electrical performance characteristics - Continued.

Test	Symbol	Conditions 1/ -55°C ≤ T _A ≤ +125°C unless otherwise specified	Group A subgroups	Device type	Limits		Unit
					Min	Max	
Direction control inactive delay	t _{CHDTH}	V _{CC} = 4.5 V and 5.5 V Condition 1 2/ See figure 3	9,10,11	ALL		30	ns
Command enable time	t _{AELCH}	V _{CC} = 4.5 V and 5.5 V See figure 3 2/ 4/ Condition 3	9,10,11	ALL		40	ns
Command disable time	t _{AHCZ}	V _{CC} = 4.5 V and 5.5 V Condition 4 5/ See figure 3	9,10,11	ALL		40	ns
Enable delay time	t _{AELCV}	V _{CC} = 4.5 V and 5.5 V Condition 2 See figure 3 2/	9,10,11	ALL	110	250	ns
$\overline{\text{AEN}}$ to DEN	t _{AEVNV}	V _{CC} = 4.5 V and 5.5 V Condition 1 2/ See figure 3	9,10,11	ALL		25	ns
CEN to DEN, $\overline{\text{PDEN}}$	t _{CEVNV}		9,10,11	ALL		25	ns
DEN to command	t _{CELRH}	Condition 2 See figure 3 2/ V _{CC} = 4.5 V and 5.5 V	9,10,11	ALL		t _{CLML} +10	ns
ALE high time	t _{HLHL}	Condition 1 See figure 3 2/ V _{CC} = 4.5 V and 5.5 V	9,10,11	ALL		t _{CLML} -10	ns

- 1/ All testing to be performed using worst-case test conditions unless otherwise specified.
- 2/ These test are verified functionally as Go/no Go test.
- 3/ I_{BHH} should be measured after raising the V_{IN} on S0, s1, s2 to V_{CC} and then lowering to 2.0 V.
- 4/ t_{AELCH} measurement is between 1.5 V and 2.5 V.
- 5/ t_{AHCZ} is not tested, but guaranteed to the limits specified.

STANDARD MICROCIRCUIT DRAWING DEFENSE ELECTRONICS SUPPLY CENTER DAYTON, OHIO 45444	SIZE A		5962-96727
		REVISION LEVEL	SHEET 8

Device type 01	
Case outline R	
Terminal number	Terminal symbol
1	IOB
2	CLK
3	$\overline{S1}$
4	DT/\overline{R}
5	ALE
6	\overline{AEN}
7	\overline{MRDC}
8	\overline{AMWC}
9	\overline{MWTC}
10	GND
11	\overline{IOWC}
12	\overline{AIOWC}
13	\overline{IORC}
14	\overline{INTA}
15	CEN
16	DEN
17	MCE/\overline{PDEN}
18	$\overline{S2}$
19	$\overline{S0}$
20	V_{CC}

FIGURE 1. Terminal connections.

STANDARD MICROCIRCUIT DRAWING DEFENSE ELECTRONICS SUPPLY CENTER DAYTON, OHIO 45444	SIZE A		5962-96727
		REVISION LEVEL	SHEET 9

查询"5962-96727"VRC"供应商

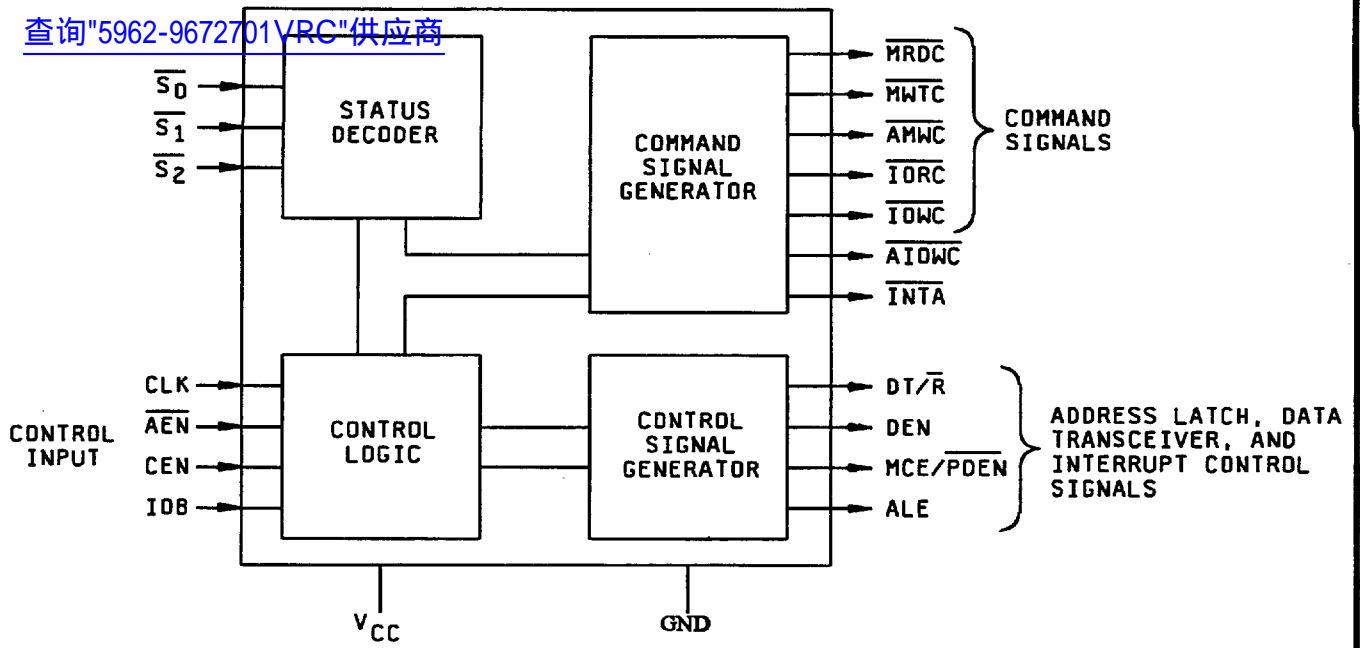
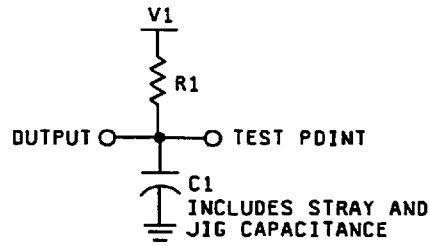


FIGURE 2. Block diagram.

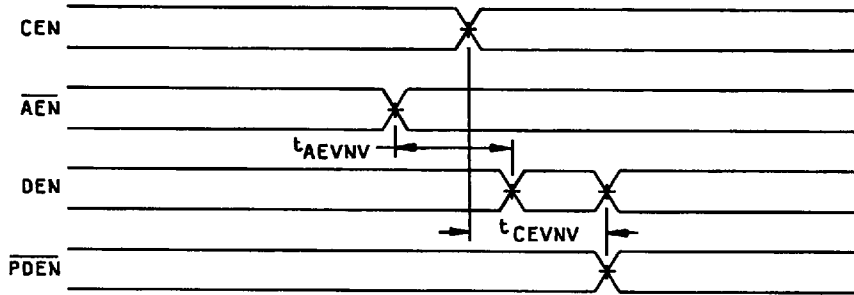
STANDARD MICROCIRCUIT DRAWING DEFENSE ELECTRONICS SUPPLY CENTER DAYTON, OHIO 45444	SIZE A		5962-96727
		REVISION LEVEL	SHEET 10

DESC FORM 193A
JUL 94

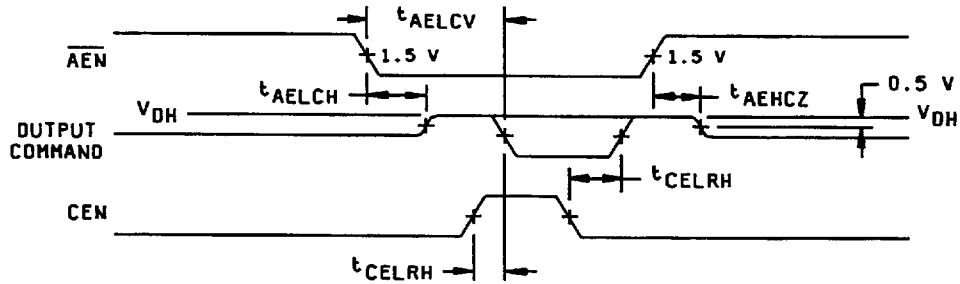
9004708 0020222 830



DEN, PDEN, QUALIFICATION TIMING



ADDRESS ENABLE (AEN) TIMING (3-STATE ENABLE/DISABLE)



Test Condition	V1	R1	C1
1	2.13 V	220Ω	80 pF
2	2.29 V	91Ω	300 pF
3	1.5 V	187Ω	300 pF
4	1.5 V	187Ω	50 pF

Note:
CEN must be low or valid prior to t_2 to prevent the command from being generated.

FIGURE 3. Timing waveform and test circuit.

STANDARD
MICROCIRCUIT DRAWING
DEFENSE ELECTRONICS SUPPLY CENTER
DAYTON, OHIO 45444

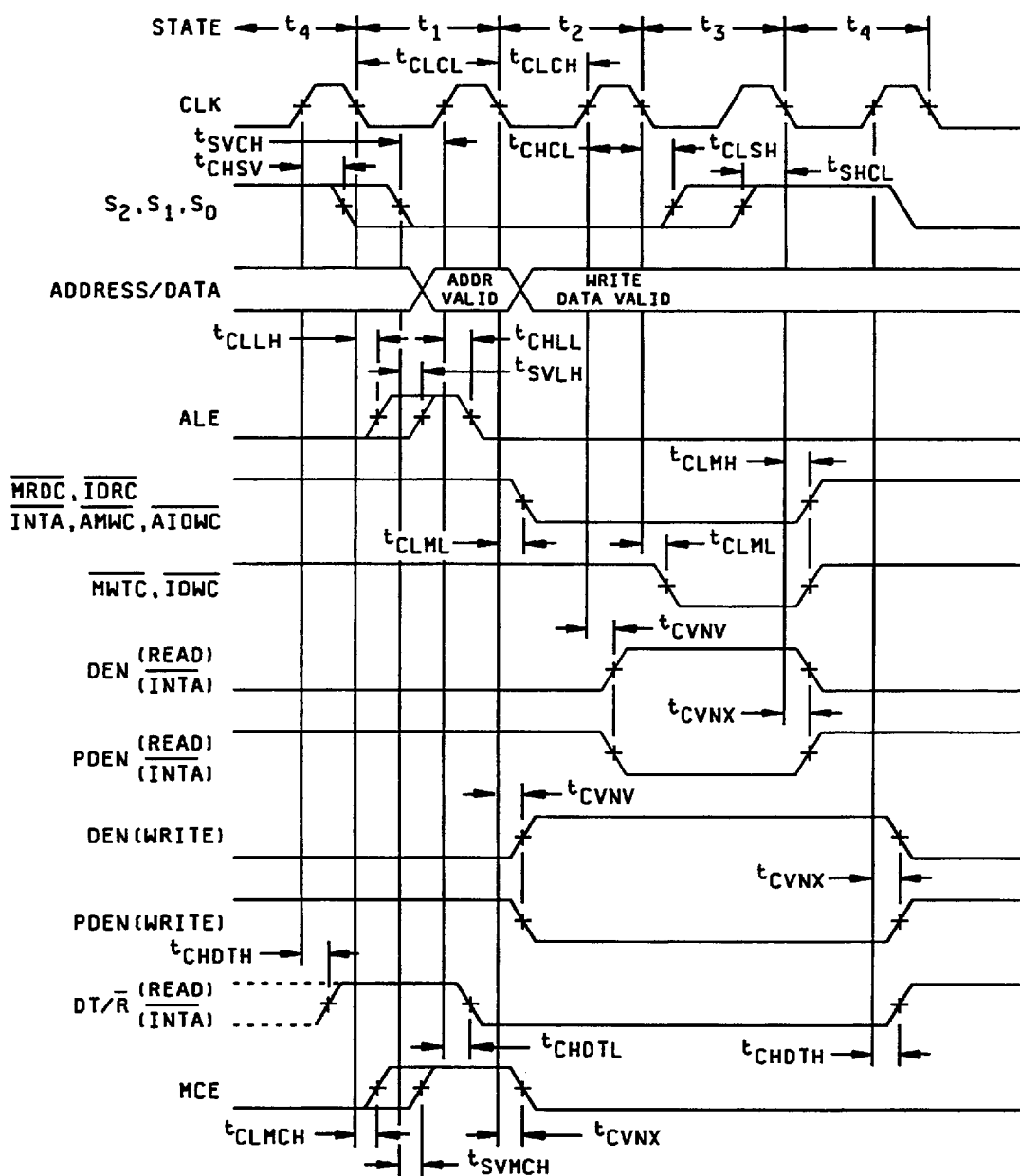
SIZE
A

5962-96727

REVISION LEVEL

SHEET

11



Note:

1. Addresses/data bus is shown only for reference purposes.
2. Leading edge of ALE and MCE is determined by the falling edge of CLK or status going active. Whichever occurs last.
3. All timing measurements are made at 1.5 V unless specified otherwise.

FIGURE 3. Timing waveform and test circuit. - Continued

STANDARD MICROCIRCUIT DRAWING DEFENSE ELECTRONICS SUPPLY CENTER DAYTON, OHIO 45444	SIZE A		5962-96727
		REVISION LEVEL	SHEET 12

4. QUALITY ASSURANCE PROVISIONS

4.1 Sampling and inspection. For device class M, sampling and inspection procedures shall be in accordance with MIL-STD-883 (see 3.1 herein). For device classes Q and V, sampling and inspection procedures shall be in accordance with MIL-I-38535 or as modified in the device manufacturer's Quality Management (QM) plan. The modification in the QM plan shall not effect the form, fit, or function as described herein.

4.2 Screening. For device class M, screening shall be in accordance with method 5004 of MIL-STD-883, and shall be conducted on all devices prior to quality conformance inspection. For device classes Q and V, screening shall be in accordance with MIL-I-38535, and shall be conducted on all devices prior to qualification and technology conformance inspection.

4.2.1 Additional criteria for device class M.

a. Burn-in test, method 1015 of MIL-STD-883.

(1) Test condition A, B, C or D. The test circuit shall be maintained by the manufacturer under document revision level control and shall be made available to the preparing or acquiring activity upon request. The test circuit shall specify the inputs, outputs, biases, and power dissipation, as applicable, in accordance with the intent specified in test method 1015.

(2) $T_A = +125^\circ\text{C}$, minimum.

b. Interim and final electrical test parameters shall be as specified in table IIA herein.

4.2.2 Additional criteria for device classes Q and V.

a. The burn-in test duration, test condition and test temperature, or approved alternatives shall be as specified in the device manufacturer's QM plan in accordance with MIL-I-38535. The burn-in test circuit shall be maintained under document revision level control of the device manufacturer's Technology Review Board (TRB) in accordance with MIL-I-38535 and shall be made available to the acquiring or preparing activity upon request. The test circuit shall specify the inputs, outputs, biases, and power dissipation, as applicable, in accordance with the intent specified in test method 1015.

b. Interim and final electrical test parameters shall be as specified in table IIA herein.

c. Additional screening for device class V beyond the requirements of device class Q shall be as specified in appendix B of MIL-I-38535, or as modified in the device manufacturers approved Quality Management (QM) plan.

4.3 Qualification inspection for device classes Q and V. Qualification inspection for device classes Q and V shall be in accordance with MIL-I-38535. Inspections to be performed shall be those specified in MIL-I-38535 and herein for groups A, B, C, D, and E inspections (see 4.4.1 through 4.4.4).

4.4 Conformance inspection. Quality conformance inspection for device class M shall be in accordance with MIL-STD-883 (see 3.1 herein) and as specified herein. Inspections to be performed for device class M shall be those specified in method 5005 of MIL-STD-883 and herein for groups A, B, C, D, and E inspections (see 4.4.1 through 4.4.4). Technology conformance inspection for classes Q and V shall be in accordance with MIL-I-38535, or as specified in the QM plan, including groups A, B, C, D, and E inspections and as specified herein except where option 2 of MIL-I-38535 permits alternate in-line control testing.

4.4.1 Group A inspection.

a. Tests shall be as specified in table IIA herein.

b. For device class M, subgroups 7 and 8 tests shall be sufficient to verify the functionality of the device. For device classes Q and V, subgroups 7 and 8 shall include verifying the functionality of the device.

c. Subgroup 4 (C_{IN} , C_{OUT} measurement) shall be measured only for the initial test and after process or design changes which may affect capacitance. A minimum sample size of 5 devices with zero rejects shall be required.

4.4.2 Group C inspection. The group C inspection end-point electrical parameters shall be as specified in table IIA herein.

STANDARD MICROCIRCUIT DRAWING DEFENSE ELECTRONICS SUPPLY CENTER DAYTON, OHIO 45444	SIZE A		5962-96727
		REVISION LEVEL	SHEET 13

TABLE II. Electrical test requirements.

查询"5962-9672701VRC"供应商

Test requirements	Subgroups (in accordance with MIL-STD-883, TM 5005, table I)	Subgroups (in accordance with MIL-I-38535, table III)	
	Device class M	Device class Q	Device class V
Interim electrical parameters (see 4.2)	1,7,9	1,7,9	1,7,9
Final electrical parameters (see 4.2)	1,2,3,7,8,9, 1/ 10,11	1,2,3,7,8, 1/ 9,10,11	1,2,3,7,8,2/ 9,10,11 3/
Group A test requirements (see 4.4)	1,2,3,4,7,8,9 10,11	1,2,3,4,7,8, 9,10,11	1,2,3,4,7, 8,9,10,11
Group C end-point electrical parameters (see 4.4)	1,2,3,7,8,9 10,11	1,2,3,7,8,9 10,11	1,2,3,7,8,9 10,11
Group D end-point electrical parameters (see 4.4)	1,7,9	1,7,9	1,7,9
Group E end-point electrical parameters (see 4.4)			

1/ PDA applies to subgroup 1 and 7.

2/ PDA applies to subgroups 1,7 and delta's.

3/ Delta limits are as specified in Tabel IIB herein shall be required where specified and the delta values shall be completed with reference to the zero hour electrical parameters.

Table IB. Delta Limits

Parameter	Symbol	Delta limits
Standby power supply current	ICCSB	+/- 3.0 μ A
Output leakage current	IOZL, IOZH	+/- 2.0 μ A
Input leakage current	IIH,IIL	+/- 200 nA

4.4.2.1 Additional criteria for device class M. Steady-state life test conditions, method 1005 of MIL-STD-883:

- a. Test condition A, B, C, or D. The test circuit shall be maintained by the manufacturer under document revision level control and shall be made available to the preparing or acquiring activity upon request. The test circuit shall specify the inputs, outputs, biases, and power dissipation, as applicable, in accordance with the intent specified in test method 1005.
- b. $T_A = +125^\circ\text{C}$, minimum.
- c. Test duration: 1,000 hours, except as permitted by method 1005 of MIL-STD-883.

STANDARD MICROCIRCUIT DRAWING DEFENSE ELECTRONICS SUPPLY CENTER DAYTON, OHIO 45444	SIZE A		5962-96727
		REVISION LEVEL	SHEET 14

4.4.2.2 Additional criteria for device classes Q and V. The steady-state life test duration, test condition and test temperature, or approved alternatives shall be as specified in the device manufacturer's QM plan in accordance with MIL-I-38535. The test circuit shall be maintained under document revision level control by the device manufacturer in accordance with MIL-I-38535, and shall be made available to the acquiring or preparing activity upon request. The test circuit shall specify the inputs, outputs, biases, and power dissipation, as applicable, in accordance with the intent specified in test method 1005.

4.4.3 Group D inspection. The group D inspection end-point electrical parameters shall be as specified in table IIA herein.

4.4.4 Group E inspection. Group E inspection is required only for parts intended to be marked as radiation hardness assured (see 3.5 herein). RHA levels for device classes Q and V shall be M, D, L, R, F, G, and H and for device class M shall be M and D.

- a. End-point electrical parameters shall be as specified in table IIA herein.
- b. For device class M, the devices shall be subjected to radiation hardness assured tests as specified in MIL-I-38535, appendix A, for the RHA level being tested. For device classes Q and V, the devices or test vehicle shall be subjected to radiation hardness assured tests as specified in MIL-I-38535 for the RHA level being tested. All device classes must meet the postirradiation end-point electrical parameter limits as defined in table I at $T_A = +25^\circ\text{C} \pm 5^\circ\text{C}$, after exposure, to the subgroups specified in table IIA herein.
- c. When specified in the purchase order or contract, a copy of the RHA delta limits shall be supplied.

4.5 Methods of inspection. Methods of inspection shall be specified as follows:

4.5.1 Voltage and current. Unless otherwise specified, all voltages given are referenced to the microcircuit GND terminal. Currents given are conventional current and positive when flowing into the referenced terminal.

5. PACKAGING

5.1 Packaging requirements. The requirements for packaging shall be in accordance with MIL-STD-883 (see 3.1 herein) for device class M and MIL-I-38535 for device classes Q and V.

6. NOTES

6.1 Intended use. Microcircuits conforming to this drawing are intended for use for Government microcircuit applications (original equipment), design applications, and logistics purposes.

6.1.1 Replaceability. Microcircuits covered by this drawing will replace the same generic device covered by a contractor-prepared specification or drawing.

6.1.2 Substitutability. Device class Q devices will replace device class M devices.

6.2 Configuration control of SMD's. All proposed changes to existing SMD's will be coordinated with the users of record for the individual documents. This coordination will be accomplished in accordance with MIL-STD-973 using DD Form 1692, Engineering Change Proposal.

6.3 Record of users. Military and industrial users shall inform Defense Electronics Supply Center when a system application requires configuration control and which SMD's are applicable to that system. DESC will maintain a record of users and this list will be used for coordination and distribution of changes to the drawings. Users of drawings covering microelectronic devices (FSC 5962) should contact DESC-EC, telephone (513) 296-6047.

6.4 Comments. Comments on this drawing should be directed to DESC-EC, Dayton, Ohio 45444-5270, or telephone (513) 296-5377.

6.5 Abbreviations, symbols, and definitions. The abbreviations, symbols, and definitions used herein are defined in MIL-I-38535 and MIL-STD-1331.

STANDARD MICROCIRCUIT DRAWING DEFENSE ELECTRONICS SUPPLY CENTER DAYTON, OHIO 45444	SIZE A		5962-96727
		REVISION LEVEL	SHEET 15

DESC FORM 193A
JUL 94

9004708 0020227 312

6.6 One part - one part number system. The one part - one part number system described below has been developed to allow for transitions between identical generic devices covered by the three major microcircuit requirements documents (MIL-H-38534, MIL-I-38535, and 1.2.1 of MIL-STD-883) without the necessity for the generation of unique PIN's. The three military requirements documents represent different class levels, and previously when a device manufacturer upgraded military product from one class level to another, the benefits of the upgraded product were unavailable to the Original Equipment Manufacturer (OEM), that was contractually locked into the original unique PIN. By establishing a one part number system covering all three documents, the OEM can acquire to the highest class level available for a given generic device to meet system needs without modifying the original contract parts selection criteria.

<u>Military documentation format</u>	<u>Example PIN under new system</u>	<u>Manufacturing source listing</u>	<u>Document listing</u>
New MIL-H-38534 Standard Microcircuit Drawings	5962-XXXXXZZ(H or K)YY	QML-38534	MIL-BUL-103
New MIL-I-38535 Standard Microcircuit Drawings	5962-XXXXXZZ(Q or V)YY	QML-38535	MIL-BUL-103
New 1.2.1 of MIL-STD-883 Standard Microcircuit Drawings	5962-XXXXXZZ(M)YY	MIL-BUL-103	MIL-BUL-103

6.7 Sources of supply.

6.7.1 Sources of supply for device classes Q and V. Sources of supply for device classes Q and V are listed in QML-38535. The vendors listed in QML-38535 have submitted a certificate of compliance (see 3.6 herein) to DESC-EC and have agreed to this drawing.

6.7.2 Approved sources of supply for device class M. Approved sources of supply for class M are listed in MIL-BUL-103. The vendors listed in MIL-BUL-103 have agreed to this drawing and a certificate of compliance (see 3.6 herein) has been submitted to and accepted by DESC-EC.

STANDARD MICROCIRCUIT DRAWING DEFENSE ELECTRONICS SUPPLY CENTER DAYTON, OHIO 45444	SIZE A		5962-96727
		REVISION LEVEL	SHEET 16