

# Stand-Alone Synchronous Switch-Mode Li-Ion or Li-Polymer Battery Charger with Low $I_q$

Check for Samples: [bq24600](#)

## FEATURES

- 1.2 MHz NMOS-NMOS Synchronous Buck Converter
- Stand-alone Charger Support for Li-Ion or Li-Polymer
- 5V-28V VCC Input Voltage Range and Support 1-6 Battery Cells
- Up to 10A Charge Current and Adapter Current
- High-Accuracy Voltage and Current Regulation
  - $\pm 0.5\%$  Charge Voltage Accuracy
  - $\pm 3\%$  Charge Current Accuracy
- Integration
  - Internal Loop Compensation
  - Internal Soft Start
- Safety
  - Input Over-Voltage Protection
  - Battery Thermistor Sense Hot/Cold Charge Suspend
  - Battery Detection
  - Built-in Safety Timer
  - Charge Over-Current Protection
  - Battery Short Protection
  - Battery Over-Voltage Protection
  - Thermal Shutdown
- Status Outputs
  - Adapter Present
  - Charger Operation Status
- Charge Enable Pin
- 6V Gate Drive for Synchronous Power Converter
- 30ns Driver Dead-time and 99.5% Max Effective Duty Cycle
- 16-pin 3.5x3.5 mm<sup>2</sup> QFN package
- Energy Star Low Quiescent Current  $I_q$ 
  - $< 15 \mu\text{A}$  Off-State Battery Discharge current
  - $< 1.5 \text{ mA}$  Off-State Input Quiescent Current

## APPLICATIONS

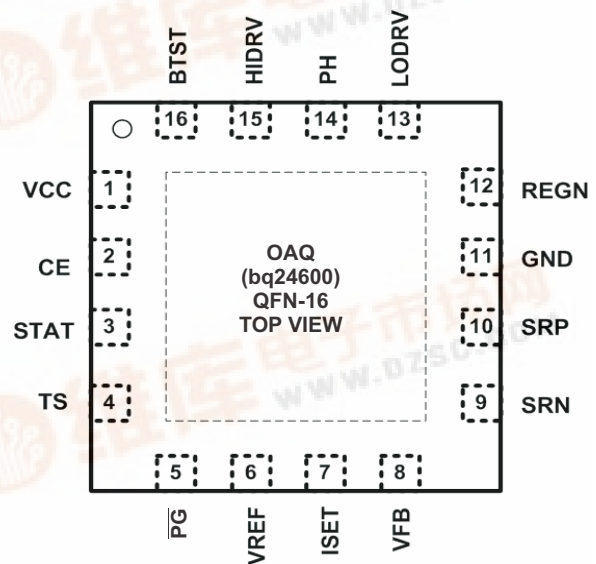
- Netbook, Mobile Internet Device, and Ultra-Mobile PC
- Personal Digital Assistants
- Handheld Terminals
- Industrial and Medical Equipment
- Portable Equipment

## DESCRIPTION

The bq24600 is highly integrated Li-ion or Li-polymer switch-mode battery charge controller. It offers a constant-frequency synchronous PWM controller with high accuracy charge current and voltage regulation, charge preconditioning, termination, and charge status monitoring.

The bq24600 charges the battery in three phases: preconditioning, constant current, and constant voltage. Charge is terminated when the current reaches a minimum level. An internal charge timer provides a safety backup. The bq24600 automatically restarts the charge cycle if the battery voltage falls below an internal threshold, and enters a low-quiescent current sleep mode when the input voltage falls below the battery voltage.

## PACKAGE AND PIN-OUT



Please be aware that an important notice concerning availability, standard warranty, and use in critical applications of Texas Instruments semiconductor products and disclaimers thereto appears at the end of this data sheet.

PRODUCTION DATA information is current as of publication date. Products conform to specifications per the terms of the Texas Instruments standard warranty. Production processing does not necessarily include testing of all parameters.

Copyright © 2010, Texas Instruments Incorporated

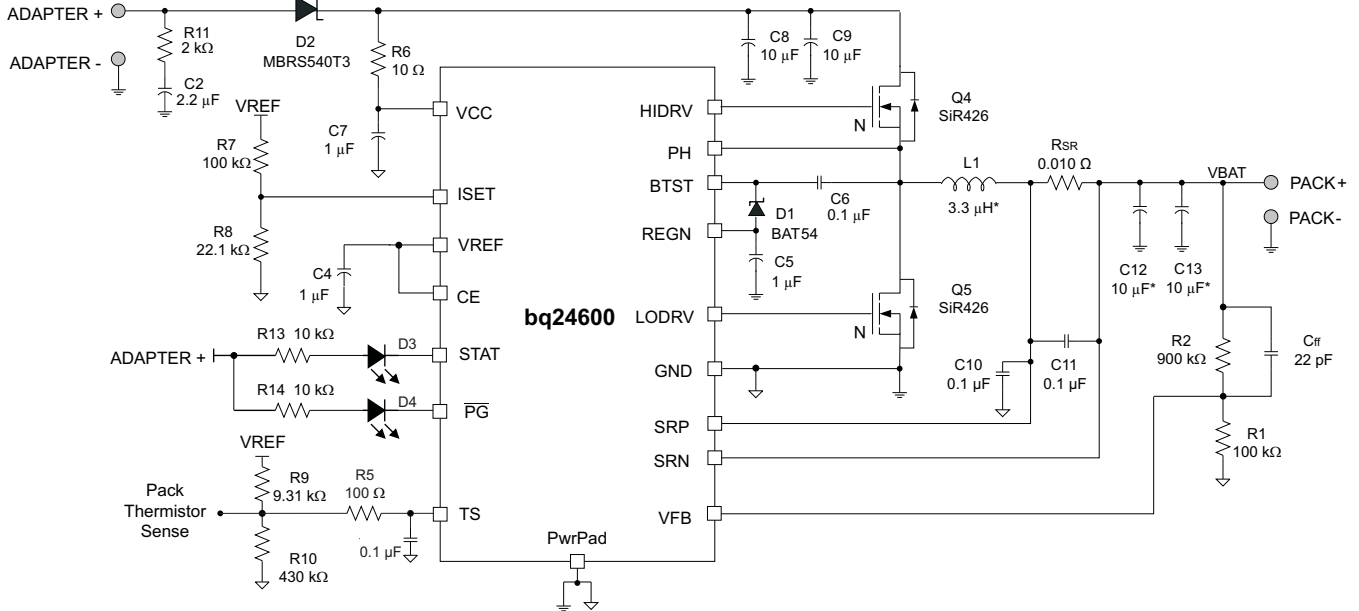




This integrated circuit can be damaged by ESD. Texas Instruments recommends that all integrated circuits be handled with appropriate precautions. Failure to observe proper handling and installation procedures can cause damage.

ESD damage can range from subtle performance degradation to complete device failure. Precision integrated circuits may be more susceptible to damage because very small parametric changes could cause the device not to meet its published specifications.

**TYPICAL APPLICATION**



VIN = 28 V, BAT = 5-cell Li-Ion, I<sub>charge</sub> = 3 A, I<sub>pre-charge</sub> = I<sub>term</sub> = 0.3 A

**Figure 1. Typical System Schematic**

**ORDERING INFORMATION**

PART NUMBER	IC MARKING	PACKAGE	ORDERING NUMBER (Tape and Reel)	QUANTITY
bq24600	OAQ	16-PIN 3.5x3.5 mm QFN	bq24600RVAR	3000
			bq24600RVAT	250

**PACKAGE THERMAL DATA**

PACKAGE	θ <sub>JP</sub>	θ <sub>JA</sub>	T <sub>A</sub> = 25°C POWER RATING	DERATING FACTOR ABOVE T <sub>A</sub> = 25°C
QFN – RVA (1) (2)	4 °C/W	43.8 °C/W	2.28 W	0.0228 W/°C

- (1) For the most current package and ordering information, see the Package Option Addendum at the end of this document, or see the TI Web site at [www.ti.com](http://www.ti.com).
- (2) This data is based on using the JEDEC High-K board and the exposed die pad is connected to a Cu pad on the board. This is connected to the ground plane by a 2x2 via matrix. θ<sub>JA</sub> has 5% improvement by 3x3 via matrix.

**ABSOLUTE MAXIMUM RATINGS**<sup>(1) (2) (3)</sup>

over operating free-air temperature range (unless otherwise noted)

		VALUE /	UNIT
Voltage range	VCC, SRP, SRN, CE, STAT, $\overline{PG}$	-0.3 to 33	V
	PH	-2 to 36	V
	VFB	-0.3 to 16	V
	REGN, LODRV, TS	-0.3 to 7	V
	BTST, HIDRV with respect to GND	-0.3 to 39	V
	VREF, ISET	-0.3 to 3.6	V
Maximum difference voltage	SRP-SRN	-0.5 to 0.5	V
Junction temperature range, $T_J$		-40 to 155	°C
Storage temperature range, $T_{stg}$		-55 to 155	°C

- (1) Stresses beyond those listed under *absolute maximum ratings* may cause permanent damage to the device. These are stress ratings only, and functional operation of the device at these or any other conditions beyond those indicated under *recommended operating conditions* is not implied. Exposure to absolute-maximum-rated conditions for extended periods may affect device reliability.
- (2) All voltages are with respect to GND if not specified. Currents are positive into, negative out of the specified terminal. Consult Packaging Section of the data book for thermal limitations and considerations of packages.
- (3) Must have a series resistor between battery pack to VFB if Battery Pack voltage is expected to be greater than 16V. Usually the resistor divider top resistor will take care of this.

**RECOMMENDED OPERATING CONDITIONS**

		VALUE	UNIT
Voltage range	VCC, SRP, SRN, CE, STAT, $\overline{PG}$	-0.3 to 28	V
	PH	-2 to 30	V
	VFB	-0.3 to 14	V
	REGN, LODRV, TS	-0.3 to 6.5	V
	BTST, HIDRV with respect to GND	-0.3 to 34	V
	ISET	-0.3 to 3.3	V
	VREF	3.3	V
Maximum difference voltage	SRP-SRN	-0.2 to 0.2	V
Junction temperature range, $T_J$		0 to 125	°C
Storage temperature range, $T_{stg}$		-55 to 155	°C

**ELECTRICAL CHARACTERISTICS**
 $5.0V \leq V(VCC) \leq 28V$ ,  $0^\circ C < T_J < +125^\circ C$ , typical values are at  $T_A = 25^\circ C$ , with respect to GND (unless otherwise noted)

PARAMETER		TEST CONDITIONS	MIN	TYP	MAX	UNIT
<b>OPERATING CONDITIONS</b>						
$V_{VCC\_OP}$	VCC Input voltage operating range		5.0		28.0	V
<b>QUIESCENT CURRENTS</b>						
$I_{BAT}$	Total battery discharge current (sum of currents into VCC, BTST, PH, SRP, SRN, VFB), $V_{FB} \leq 2.1 V$	$V_{VCC} < V_{SRN}$ , $V_{VCC} > V_{UVLO}$ (SLEEP)			15	$\mu A$
$I_{AC}$	Adapter supply current (current into VCC pin)	$V_{VCC} > V_{SRN}$ , $V_{VCC} > V_{UVLO}$ CE = LOW (IC quiescent current)		1	1.5	mA
		$V_{VCC} > V_{SRN}$ , $V_{VCC} > V_{VCC\_LOW}$ , CE = HIGH, charge done		2	5	
		$V_{VCC} > V_{SRN}$ , $V_{VCC} > V_{VCC\_LOW}$ , CE = HIGH, Charging, $Qg\_total = 20 nC$ , $V_{VCC} = 20V$		50		
<b>CHARGE VOLTAGE REGULATION</b>						
$V_{FB}$	Feedback regulation voltage			2.1		V
	Charge voltage regulation accuracy	$T_J = 0^\circ C$ to $85^\circ C$	-0.5%		0.5%	
		$T_J = -40^\circ C$ to $125^\circ C$	-0.7%		0.7%	
$I_{VFB}$	Leakage Current into VFB pin	$V_{FB} = 2.1 V$			100	nA

**ELECTRICAL CHARACTERISTICS (continued)**5.0V ≤ V(VCC) ≤ 28V, 0°C < T<sub>J</sub> < +125°C, typical values are at T<sub>A</sub> = 25°C, with respect to GND (unless otherwise noted)

PARAMETER		TEST CONDITIONS	MIN	TYP	MAX	UNIT
<b>CURRENT REGULATION – FAST CHARGE</b>						
V <sub>ISET</sub>	ISET voltage range				2	V
V <sub>IREG_CHG</sub>	SRP-SRN current sense voltage range	V <sub>IREG_CHG</sub> = V <sub>SRP</sub> – V <sub>SRN</sub>			100	mV
K <sub>ISET</sub>	Charge current set factor (Amps of charge current per volt on ISET pin)	R <sub>SENSE</sub> = 10 mΩ		5		A/V
	Charge current regulation accuracy	V <sub>IREG_CHG</sub> = 40 mV	–3%		3%	
		V <sub>IREG_CHG</sub> = 20 mV	–4%		4%	
		V <sub>IREG_CHG</sub> = 5 mV	–25%		25%	
		V <sub>IREG_CHG</sub> = 1.5 mV (V <sub>SRN</sub> > 3.1V)	–40%		40%	
I <sub>ISET</sub>	Leakage current into ISET pin	V <sub>ISET</sub> = 2 V			100	nA
<b>CURRENT REGULATION – PRECHARGE</b>						
	Precharge current range	R <sub>SENSE</sub> = 10 mΩ		I <sub>CHARGE</sub> /10		A
K <sub>PRECH</sub>	Precharge current set factor (Amps of precharge current per volt on ISET pin)	R <sub>SENSE</sub> = 10 mΩ		0.5		A/V
	Precharge current regulation accuracy	V <sub>IREG_PRECH</sub> = 10 mV	–10%		10%	
		V <sub>IREG_PRECH</sub> = 5 mV	–25%		25%	
		V <sub>IREG_PRECH</sub> = 1.5 mV (V <sub>SRN</sub> < 3.1V)	–55%		55%	
<b>CHARGE TERMINATION</b>						
	Termination current range	R <sub>SENSE</sub> = 10 mΩ		I <sub>CHARGE</sub> /10		A
K <sub>TERM</sub>	Termination current set factor (Amps of Termination current per volt on ISET pin)	R <sub>SENSE</sub> = 10 mΩ		0.5		A/V
	Termination current accuracy	V <sub>ITERM</sub> = 10 mV	–10%		10%	
		V <sub>ITERM</sub> = 5 mV	–25%		25%	
		V <sub>ITERM</sub> = 1.5 mV	–45%		45%	
	Deglitch time for termination (both edge)			100		ms
t <sub>QUAL</sub>	Termination qualification time	V <sub>BAT</sub> > V <sub>RECH</sub> and I <sub>CHARGE</sub> < I <sub>TERM</sub>		250		ms
I <sub>QUAL</sub>	Termination qualification current	Discharge current once termination is detected		2		mA
<b>INPUT UNDER-VOLTAGE LOCK-OUT COMPARATOR (UVLO)</b>						
V <sub>UVLO</sub>	AC under-voltage rising threshold	Measure on VCC	3.65	3.85	4	V
V <sub>UVLO_HYS</sub>	AC under-voltage hysteresis, falling			350		mV
<b>VCC LOWV COMPARATOR</b>						
	Falling threshold, disable charge	Measure on VCC		4.1		V
	Rising threshold, resume charge			4.35	4.5	V
<b>SLEEP COMPARATOR (REVERSE DISCHARGING PROTECTION)</b>						
V <sub>SLEEP_FALL</sub>	SLEEP falling threshold	V <sub>VCC</sub> – V <sub>SRN</sub> to enter SLEEP	40	100	150	mV
V <sub>SLEEP_HYS</sub>	SLEEP hysteresis			500		mV
	SLEEP rising delay	VCC falling below SRN, delay to pull up $\overline{PG}$		1		μs
	SLEEP falling delay	VCC rising above SRN, delay to pull down $\overline{PG}$		30		ms
	SLEEP rising shutdown deglitch	VCC falling below SRN, Delay to enter SLEEP mode		100		ms
	SLEEP falling powerup deglitch	VCC rising above SRN, Delay to come out of SLEEP mode		30		ms
<b>BAT LOWV COMPARATOR</b>						
V <sub>LOWV</sub>	Precharge to fastcharge transition (LOWV Threshold)	Measured on VFB pin	1.534	1.55	1.566	V
V <sub>LOWV_HYS</sub>	LOWV hysteresis			100		mV
	LOWV rising deglitch	VFB falling below V <sub>lowv</sub>		25		ms
	LOWV falling deglitch	VFB rising above V <sub>lowv</sub> + V <sub>LOWV_HYS</sub>		25		ms

**ELECTRICAL CHARACTERISTICS (continued)**
 $5.0V \leq V(VCC) \leq 28V$ ,  $0^\circ C < T_J < +125^\circ C$ , typical values are at  $T_A = 25^\circ C$ , with respect to GND (unless otherwise noted)

PARAMETER		TEST CONDITIONS	MIN	TYP	MAX	UNIT
<b>RECHARGE COMPARATOR</b>						
$V_{RECHG}$	Recharge threshold (with respect to $V_{REG}$ )	Measured on VFB pin	35	50	65	mV
	Recharge rising deglitch	VFB decreasing below $V_{RECHG}$		10		ms
	Recharge falling deglitch	VFB increasing above $V_{RECHG}$		10		ms
<b>BAT OVER-VOLTAGE COMPARATOR</b>						
$V_{OV\_RISE}$	Over-Voltage Rising Threshold	As percentage of VFB		104%		
$V_{OV\_FALL}$	Over-Voltage Falling Threshold	As percentage of VFB		102%		
<b>INPUT OVER-VOLTAGE COMPARATOR (ACOV)</b>						
$V_{ACOV}$	AC over-voltage rising threshold on VCC		31.04	32	32.96	V
$V_{ACOV\_HYS}$	AC over-voltage falling hysteresis			1		V
$V_{ACOV\_HYS}$	AC over-voltage rising deglitch			1		ms
	AC over-voltage falling deglitch			1		ms
<b>THERMAL SHUTDOWN COMPARATOR</b>						
$T_{SHUT}$	Thermal shutdown rising temperature	Temperature increasing		145		$^\circ C$
$T_{SHUT\_HYS}$	Thermal shutdown hysteresis			15		$^\circ C$
	Thermal shutdown rising deglitch	Temperature increasing		100		$\mu s$
	Thermal shutdown falling deglitch	Temperature decreasing		10		ms
<b>THERMISTOR COMPARATOR</b>						
$V_{LTF}$	Cold temperature rising threshold	As percentage to $V_{VREF}$	72.5%	73.5%	74.5%	
$V_{LTF\_HYS}$	Rising hysteresis	As percentage to $V_{VREF}$	0.2%	0.4%	0.6%	
$V_{HTF}$	Hot temperature rising threshold	As percentage to $V_{VREF}$	36.2%	37%	37.8%	
$V_{TCO}$	Cut-off temperature rising threshold	As percentage to $V_{VREF}$	33.7%	34.4%	35.1%	
	Deglitch time for temperature out of range detection	$V_{TS} > V_{LTF}$ , or $V_{TS} < V_{TCO}$ , or $V_{TS} < V_{HTF}$		400		ms
	Deglitch time for temperature in valid range detection	$V_{TS} < V_{LTF} - V_{LTF\_HYS}$ or $V_{TS} > V_{TCO}$ , or $V_{TS} > V_{HTF}$		20		ms
<b>CHARGE OVER-CURRENT COMPARATOR (CYCLE-BY-CYCLE)</b>						
$V_{OC}$	Charge over-current falling threshold	Current rising, in non-synchronous mode, measure on $V_{(SRP-SRN)}$ , $V_{SRP} < 2V$		45.5		mV
		Current rising, as percentage of $V_{(I_{REG\_CHG})}$ , in synchronous mode, $V_{SRP} > 2.2V$		160%		
	Charge over-current threshold floor	Minimum OCP threshold in synchronous mode, measure on $V_{(SRP-SRN)}$ , $V_{SRP} > 2.2V$		50		mV
	Charge over-current threshold ceiling	Maximum OCP threshold in synchronous mode, measure on $V_{(SRP-SRN)}$ , $V_{SRP} > 2.2V$		180		mV
<b>CHARGE UNDER-CURRENT COMPARATOR (CYCLE-BY-CYCLE)</b>						
$V_{ISYSET}$	Charge under-current falling threshold	$V_{SRP} > 2.2V$ , Switch from CCM to DCM	1	5	9	mV
<b>BATTERY SHORTED COMPARATOR (BATSHORT)</b>						
$V_{BATSHT}$	BAT Short falling threshold, forced non-syn mode	$V_{SRP}$ falling		2		V
$V_{BATSHT\_HYS}$	BAT short rising hysteresis			200		mV
$V_{BATSHT\_DEG}$	Deglitch on both edge			1		$\mu s$
<b>LOW CHARGE CURRENT COMPARATOR</b>						
$V_{LC}$	Low charge current (average) falling threshold to force into non-sync mode	Measure $V_{(SRP-SRN)}$		1.25		mV
$V_{LC\_HYS}$	Low charge current rising hysteresis			1.25		mV
$V_{LC\_DEG}$	Deglitch on both edge			1		$\mu s$
<b>VREF REGULATOR</b>						
$V_{VREF\_REG}$	VREF regulator voltage	$V_{VCC} > V_{UVLO}$ (0 - 35mA load)	3.267	3.3	3.333	V
$I_{VREF\_LIM}$	VREF current limit	$V_{VREF} = 0V$ , $V_{VCC} > V_{UVLO}$	35			mA

**ELECTRICAL CHARACTERISTICS (continued)**5.0V ≤ V(VCC) ≤ 28V, 0°C < T<sub>J</sub> < +125°C, typical values are at T<sub>A</sub> = 25°C, with respect to GND (unless otherwise noted)

PARAMETER		TEST CONDITIONS	MIN	TYP	MAX	UNIT
<b>REGN REGULATOR</b>						
V <sub>REGN_REG</sub>	REGN regulator voltage	V <sub>VCC</sub> > 10 V, CE = HIGH (0 - 40 mA load)	5.7	6.0	6.3	V
I <sub>REGN_LIM</sub>	REGN current limit	V <sub>REGN</sub> = 0 V, V <sub>VCC</sub> > V <sub>UVLO</sub>	40			mA
<b>SAFETY TIMER</b>						
T <sub>PRECHG</sub>	Precharge safety timer range <sup>(1)</sup>	Precharge time before fault occurs	1440	1800	2160	s
T <sub>CHARGE</sub>	Internal five hour safety timer <sup>(1)</sup>		4.25	5	5.75	hr
<b>BATTERY DETECTION</b>						
t <sub>WAKE</sub>	Wake timer	Max time charge is enabled		500		ms
I <sub>WAKE</sub>	Wake current	R <sub>SENSE</sub> = 10 mΩ	50	125	200	mA
t <sub>DISCHARGE</sub>	Discharge timer	Max time discharge current is applied		1		sec
I <sub>DISCHARGE</sub>	Discharge current			8		mA
I <sub>FAULT</sub>	Fault current after a timeout fault			2		mA
V <sub>WAKE</sub>	Wake threshold ( w.r.t. V <sub>REG</sub> )	Voltage on VFB to detect battery absent during wake		50		mV
V <sub>DISCH</sub>	Discharge threshold	Voltage on VFB to detect battery absent during discharge		1.55		V
<b>PWM HIGH SIDE DRIVER (HIDRV)</b>						
R <sub>DS_HI_ON</sub>	High side driver (HSD) turn-on resistance	V <sub>BTST</sub> - V <sub>PH</sub> = 5.5 V		3.3	6	Ω
R <sub>DS_HI_OFF</sub>	High side driver turn-off resistance	V <sub>BTST</sub> - V <sub>PH</sub> = 5.5 V		1	1.3	Ω
V <sub>BTST_REFRESH</sub>	Bootstrap refresh comparator threshold voltage	V <sub>BTST</sub> - V <sub>PH</sub> when low side refresh pulse is requested	4.0	4.2		V
<b>PWM LOW SIDE DRIVER (LODRV)</b>						
R <sub>DS_LO_ON</sub>	Low side driver (LSD) turn-on resistance			4.1	7	Ω
R <sub>DS_LO_OFF</sub>	Low side driver turn-off resistance			1	1.4	Ω
<b>PWM DRIVERS TIMING</b>						
	Driver dead time	Dead time when switching between LSD and HSD, no load at LSD and HSD		30		ns
<b>PWM OSCILLATOR</b>						
V <sub>RAMP_HEIGHT</sub>	PWM ramp height	As percentage of VCC		7%		
	PWM switching frequency <sup>(1)</sup>		1020	1200	1380	kHz
<b>INTERNAL SOFT START (8 steps to regulation current I<sub>CHARGE</sub>)</b>						
	Soft Start Steps			8		step
	Soft Start Step Time			1.6		ms
<b>CHARGER SECTION POWER-UP SEQUENCING</b>						
	Charge-enable delay after power-up	Delay from when CE = 1 to when the charger is allowed to turn on		1.5		s
<b>LOGIC IO PIN CHARACTERISTICS (CE, STAT, <math>\overline{\text{PG}}</math>)</b>						
V <sub>IN_LO</sub>	CE input low threshold voltage				0.8	V
V <sub>IN_HI</sub>	CE input high threshold voltage		2.1			
V <sub>BIAS_CE</sub>	CE input bias current	V = 3.3V (CE has internal 1MΩ pulldown resistor)			6	μA
V <sub>OUT_LO</sub>	STAT, $\overline{\text{PG}}$ output low saturation voltage	Sink current = 5 mA			0.5	V
I <sub>OUT_HI</sub>	Leakage current	V = 32 V			1.2	μA

(1) Verified by design.

## TYPICAL CHARACTERISTICS

Table 1. Table of Graphs

	Figure
REF REGN and $\overline{PG}$ Power Up (CE=1)	Figure 2
Charge Enable	Figure 3
Current Soft-Start (CE=1)	Figure 4
Charge Disable	Figure 5
Continuous Conduction Mode Switching Waveforms	Figure 6
Cycle-by-Cycle Synchronous to Nonsynchronous	Figure 7
Battery Insertion	Figure 8
Battery to Ground Short Protection	Figure 9
Efficiency vs Output Current	Figure 10

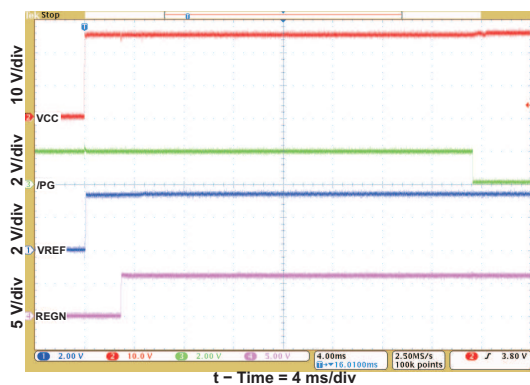


Figure 2. REF REGN and  $\overline{PG}$  Power Up (CE=1)

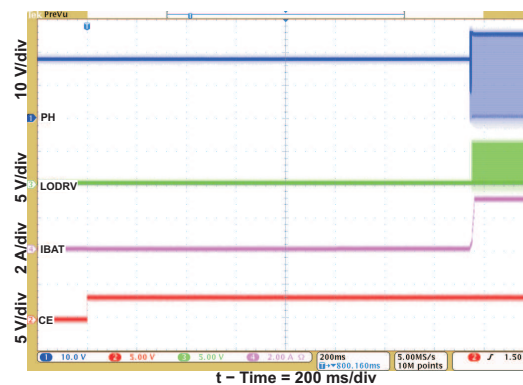


Figure 3. Charge Enable

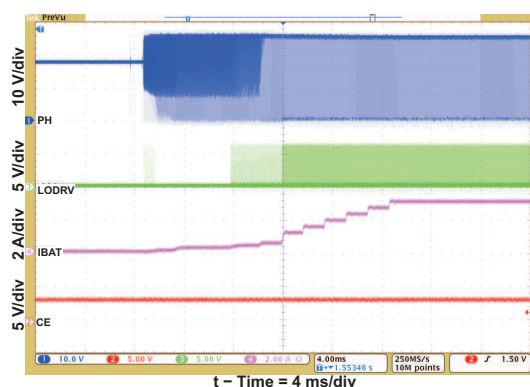


Figure 4. Current Soft-Start (CE=1)

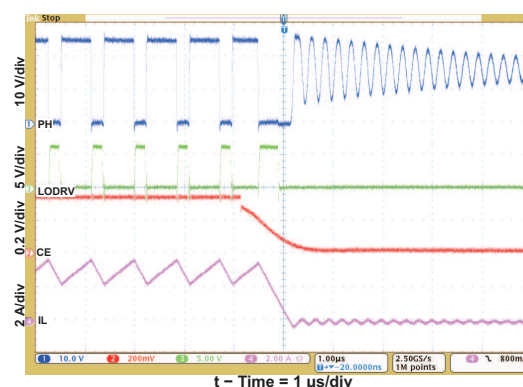


Figure 5. Charge Disable

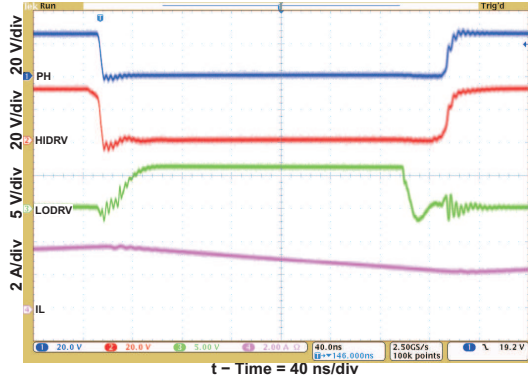


Figure 6. Continuous Conduction Mode Switching Waveform

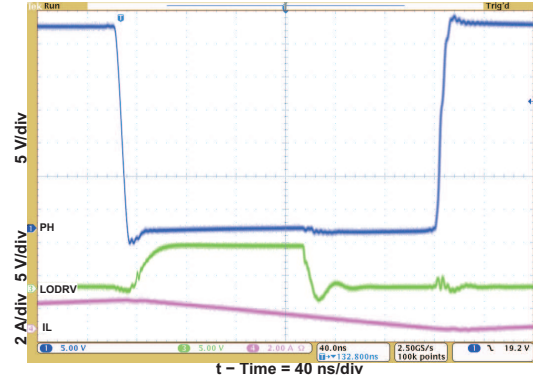


Figure 7. Cycle-by-Cycle Synchronous to Nonsynchronous

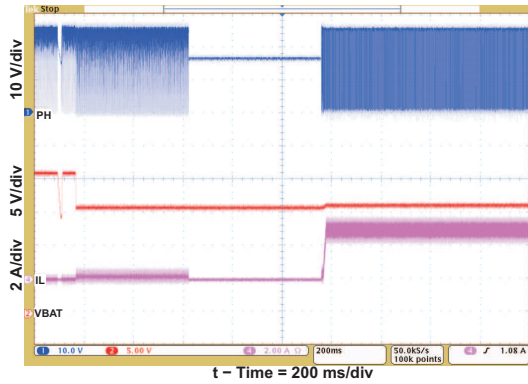


Figure 8. Battery Insertion

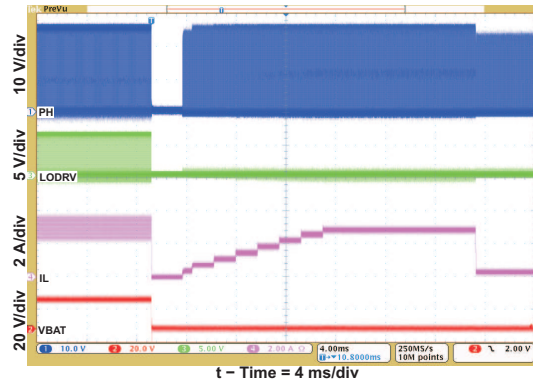


Figure 9. Battery to GND Short Protection

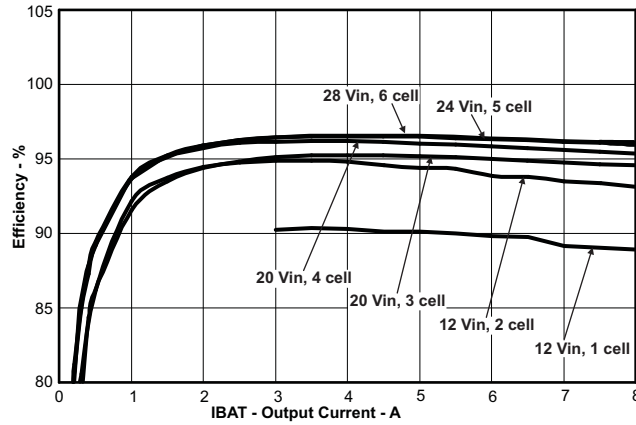


Figure 10. Efficiency vs Output Current



BLOCK DIAGRAM

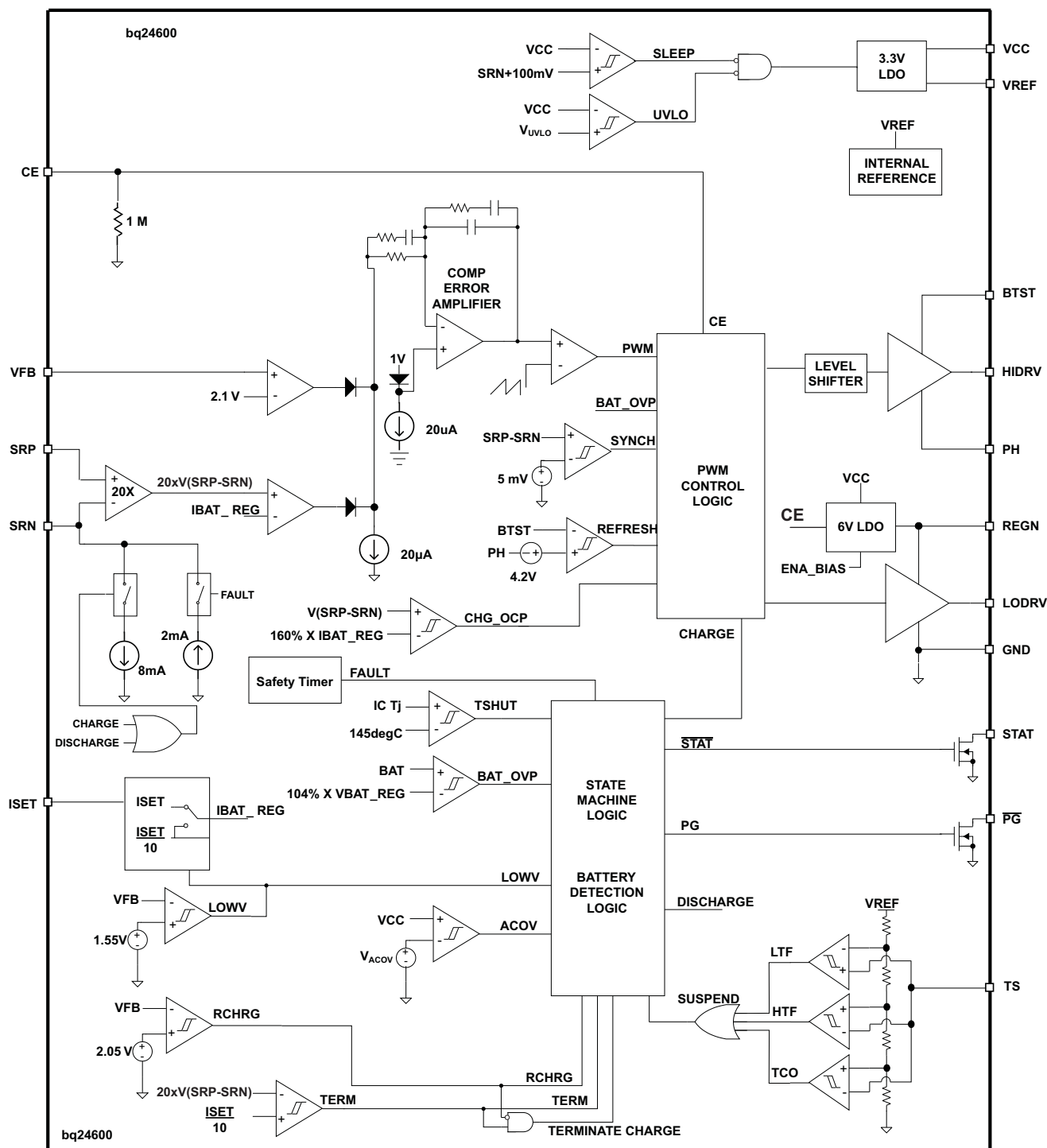


Figure 11. Functional Block Diagram for bq24600

OPERATIONAL FLOWCHART

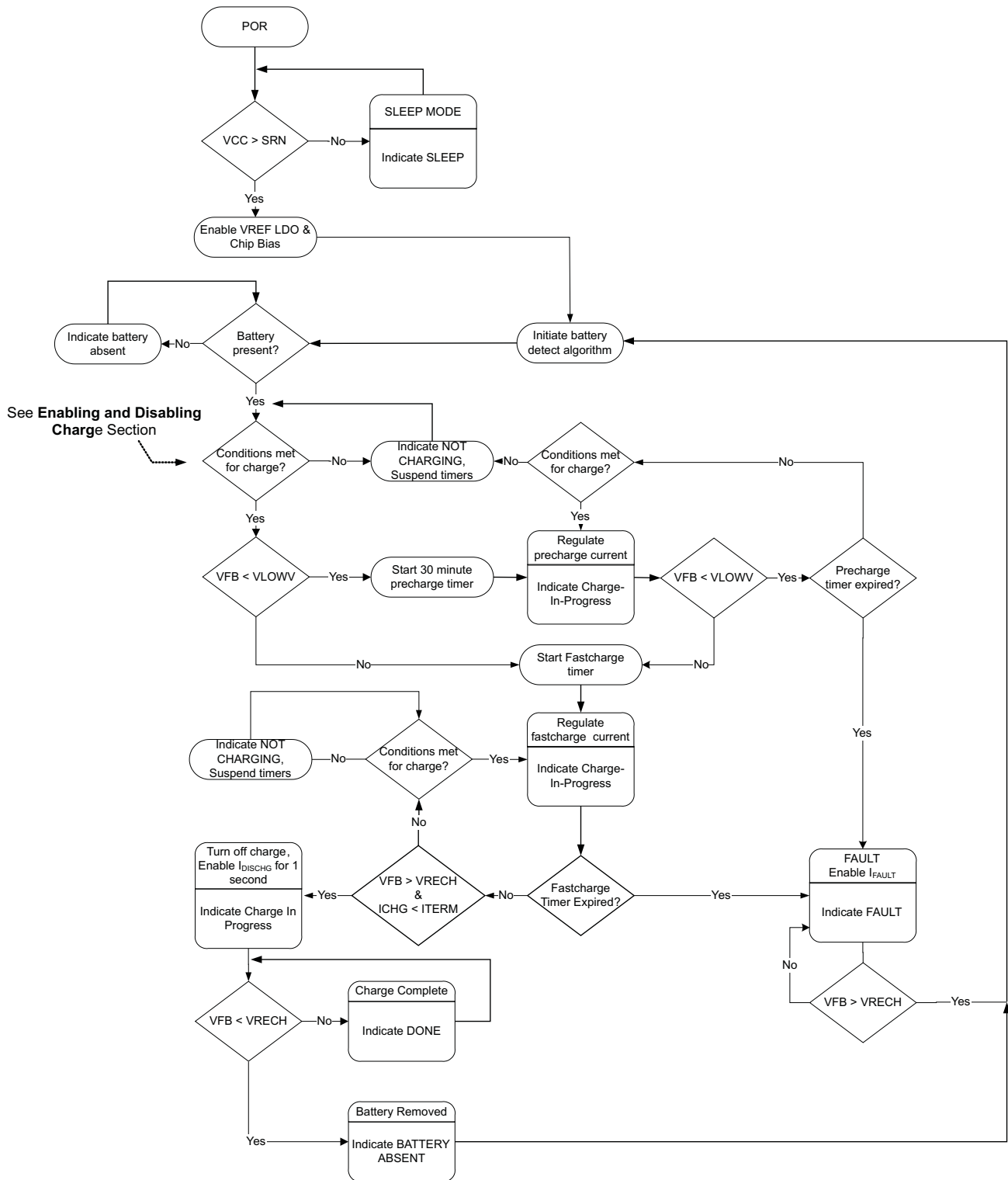


Figure 12. Operational Flowchart for bq24600

### PIN FUNCTIONS

PIN		FUNCTION DESCRIPTION
NO.	NAME	
1	VCC	IC power positive supply. Connect, through a 10 $\Omega$ resistor to the common-source (diode-OR) point: source of high-side P-channel MOSFET and source of reverse-blocking power P-channel MOSFET. Or connect through a 10 $\Omega$ resistor to the cathode of the input diode. Place a 1- $\mu$ F ceramic capacitor from VCC to GND pin close to the IC.
2	CE	Charge-enable active-HIGH logic input. HI enables charge. LO disables charge. It has an internal 1M $\Omega$ pull-down resistor.
3	STAT	Open-drain charge status pin to indicate various charger operation (See <a href="#">Table 3</a> )
4	TS	Temperature qualification voltage input for battery pack negative temperature coefficient thermistor. Program the hot and cold temperature window with a resistor divider from VREF to TS to GND.
5	$\overline{\text{PG}}$	Open-drain power-good status output. The transistor turns on when a valid VCC is detected. It is turned off in the sleep mode. $\overline{\text{PG}}$ can be used to drive a LED or communicate with a host processor. It can be used to drive ACFET and BATFET.
6	VREF	3.3V regulated voltage output. Place a 1- $\mu$ F ceramic capacitor from VREF to GND pin close to the IC. This voltage could be used for programming of voltage and current regulation and for programming the TS threshold.
7	ISET	Charge current set input. The voltage of ISET pin programs the charge current regulation, pre-charge current and termination current set-point.
8	VFB	Output voltage analog feedback adjustment. Connect the output of a resistive voltage divider from the battery terminals to this node to adjust the output battery regulation voltage.
9	SRN	Charge current sense resistor, negative input. A 0.1- $\mu$ F ceramic capacitor is placed from SRN to SRP to provide differential-mode filtering. An optional 0.1- $\mu$ F ceramic capacitor is placed from SRN pin to GND for common-mode filtering.
10	SRP	Charge current sense resistor, positive input. A 0.1- $\mu$ F ceramic capacitor is placed from SRN to SRP to provide differential-mode filtering. A 0.1- $\mu$ F ceramic capacitor is placed from SRP pin to GND for common-mode filtering.
11	GND	Low-current sensitive analog/digital ground. On PCB layout, connect with PowerPad underneath the IC.
12	REGN	PWM low side driver positive 6V supply output. Connect a 1- $\mu$ F ceramic capacitor from REGN to PGND pin, close to the IC. Use for low side driver and high-side driver bootstrap voltage by connecting a small signal Schottky diode from REGN to BTST.
13	LODRV	PWM low side driver output. Connect to the gate of the low-side power MOSFET with a short trace.
14	PH	PWM high side driver negative supply. Connect to the Phase switching node (junction of the low-side power MOSFET drain, high-side power MOSFET source, and output inductor). Connect the 0.1 $\mu$ F bootstrap capacitor from PH to BTST.
15	HIDRV	PWM high side driver output. Connect to the gate of the high-side power MOSFET with a short trace.
16	BTST	PWM high side driver negative supply. Connect to the Phase switching node (junction of the low-side power MOSFET drain, high-side power MOSFET source, and output inductor). Connect the 0.1 $\mu$ F bootstrap capacitor from SW to BTST
	PowerPad	Exposed pad beneath the IC. Always solder PowerPad to the board, and have vias on the PowerPad plane star-connecting to GND and ground plane for high-current power converter. It also serves as a thermal pad to dissipate the heat.

## DETAILED DESCRIPTION

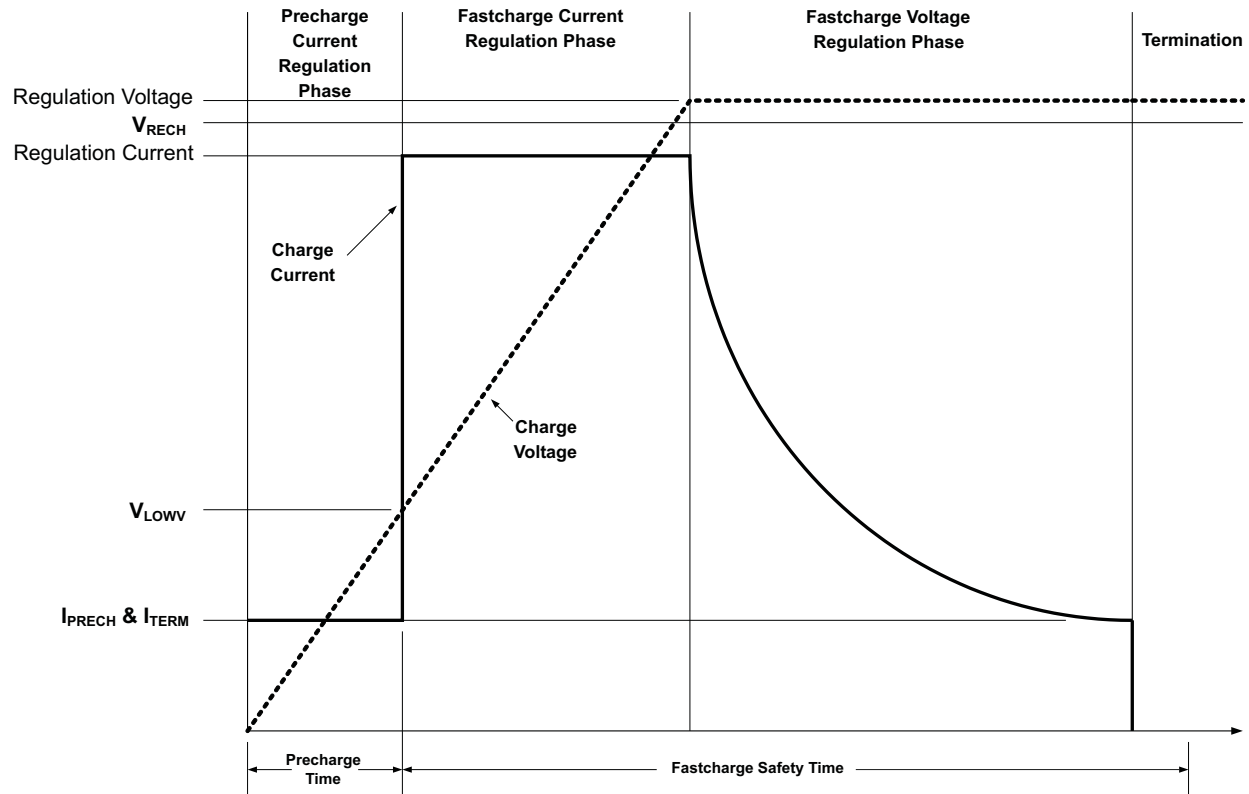


Figure 13. Typical Charging Profile

### Battery Voltage Regulation

The bq24600 uses a high accuracy voltage bandgap and regulator for the high accuracy charging voltage. The charge voltage is programmed via a resistor divider from the battery to ground, with the midpoint tied to the VFB pin. The voltage at the VFB pin is regulated to 2.1V, giving the following equation for the regulation voltage:

$$V_{\text{BAT}} = 2.1 \text{ V} \times \left[ 1 + \frac{R_2}{R_1} \right] \quad (1)$$

where R2 is connected from VFB to the battery and R1 is connected from VFB to GND

### Battery Current Regulation

The ISET input sets the maximum charging current. Battery current is sensed by resistor  $R_{\text{SR}}$  connected between SRP and SRN. The full-scale differential voltage between SRP and SRN is 100mV. Thus, for a 10mΩ sense resistor, the maximum charging current is 10A. The equation for charge current is:

$$I_{\text{CHARGE}} = \frac{V_{\text{ISET}}}{20 \times R_{\text{SR}}} \quad (2)$$

$V_{\text{ISET}}$ , The input voltage range of ISET is between 0 and 2V. The SRP and SRN pins are used to sense voltage across  $R_{\text{SR}}$  with default value of 10mΩ. However, resistors of other values can also be used. A larger sense resistor will give a larger sense voltage, a higher regulation accuracy; but, at the expense of higher conduction loss.

## Precharge

On power-up, if the battery voltage is below the  $V_{LOWV}$  threshold, the bq24600 applies the precharge current to the battery. This feature is intended to revive deeply discharged cells. If the  $V_{LOWV}$  threshold is not reached within 30 minutes of initiating precharge, the charger turns off and a FAULT is indicated on the status pins.

The precharge current is fixed  $1/10^{\text{th}}$  of the programmed charge current, which is determined by the voltage on the ISET pin according [Equation 3](#):

$$I_{\text{PRECHARGE}} = \frac{I_{\text{CHARGE}}}{10} = \frac{V_{\text{ISET}}}{200 \times R_{\text{SR}}} \quad (3)$$

The minimum precharge current is clamped to be around 125mA with default 10mΩ sensing resistor.

## Charge Termination, Recharge, and Safety Timer

The bq24600 monitors the charging current during the voltage regulation phase. Termination is detected while the voltage on the VFB pin is higher than the  $V_{\text{RECH}}$  threshold AND the charge current is less than the  $I_{\text{TERM}}$  threshold, which is fixed  $1/10^{\text{th}}$  of the programmed charge current, as calculated in [Equation 4](#):

$$I_{\text{TERM}} = \frac{V_{\text{ISET}}}{200 \times R_{\text{SR}}} \quad (4)$$

As a safety backup, the bq24600 also provides an internal 5 hour safety timer for fast charge.

A new charge cycle is initiated and safety timer is reset when one of the following conditions occur:

- The battery voltage falls below the recharge threshold
- A power-on-reset (POR) event occurs
- CE is toggled

## Power Up

The bq24600 uses a SLEEP comparator to determine the source of power on the VCC pin, since VCC can be supplied either from the battery or the adapter. If the VCC voltage is greater than the SRN voltage, bq24600 exits the SLEEP mode. If all other conditions are met for charging, bq24600 will then attempt to charge the battery (See *Enabling and Disabling Charging*). If the SRN voltage is greater than VCC, bq24600 enters a low quiescent current (<15μA) SLEEP mode to minimize current drain from the battery.

If VCC is below the UVLO threshold, the device is disabled.

## Enable and Disable Charging

The following conditions have to be valid before charge is enabled:

- CE is HIGH
- The device is not in VCCLOWV mode
- The device is not in SLEEP mode
- The VCC voltage is lower than the AC over-voltage threshold ( $V_{\text{CC}} < V_{\text{ACOV}}$ )
- 30ms delay is complete after initial power-up
- The REGN LDO and VREF LDO voltages are at the correct levels
- Thermal Shut (TSHUT) is not valid
- TS fault is not detected

One of the following conditions will stop on-going charging:

- CE is LOW;
- Adapter is removed, causing the device to enter VCCLOWV or SLEEP mode;
- Adapter is over voltage;
- The REGN or VREF LDOs are overloaded;
- TSHUT IC temperature threshold is reached (145°C on rising-edge with 15°C hysteresis).
- TS voltage goes out of range indicating the battery temperature is too hot or too cold

## Automatic Internal Soft-Start Charger Current

The charger automatically soft-starts the charger regulation current every time the charger goes into fast-charge to ensure there is no overshoot or stress on the output capacitors or the power converter. The soft-start consists of stepping-up the charge regulation current into 8 evenly divided steps up to the programmed charge current. Each step lasts around 1.6ms, for a typical rise time of 12.8ms. No external components are needed for this function.

## Converter Operation

The synchronous buck PWM converter uses a fixed frequency voltage mode with feed-forward control scheme. A type III compensation network allows using ceramic capacitors at the output of the converter. The compensation input stage is connected internally between the feedback output (FBO) and the error amplifier input (EAI). The feedback compensation stage is connected between the error amplifier input (EAI) and error amplifier output (EAO). The LC output filter is selected to give a resonant frequency of 17 kHz – 25 kHz for bq24600, where resonant frequency,  $f_o$ , is given by Equation 5:

$$f_o = \frac{1}{2\pi\sqrt{L_o C_o}} \quad (5)$$

An internal saw-tooth ramp is compared to the internal EAO error control signal to vary the duty-cycle of the converter. The ramp height is 7% of the input adapter voltage making it always directly proportional to the input adapter voltage. This cancels out any loop gain variation due to a change in input voltage, and simplifies the loop compensation. The ramp is offset by 300mV in order to allow zero percent duty-cycle when the EAO signal is below the ramp. The EAO signal is also allowed to exceed the saw-tooth ramp signal in order to get a 100% duty-cycle PWM request. Internal gate drive logic allows achieving 99.5% duty-cycle while ensuring the N-channel upper device always has enough voltage to stay fully on. If the BTST pin to PH pin voltage falls below 4.2V for more than 3 cycles, then the high-side n-channel power MOSFET is turned off and the low-side n-channel power MOSFET is turned on to pull the PH node down and recharge the BTST capacitor. Then the high-side driver returns to 100% duty-cycle operation until the (BTST-PH) voltage is detected to fall low again due to leakage current discharging the BTST capacitor below the 4.2 V, and the reset pulse is reissued.

The fixed frequency oscillator keeps tight control of the switching frequency under all conditions of input voltage, battery voltage, charge current, and temperature, simplifying output filter design and keeping it out of the audible noise region.

## Synchronous and Non-Synchronous Operation

The charger operates in synchronous mode when the SRP-SRN voltage is above 5mV (0.5A inductor current for a 10mΩ sense resistor). During synchronous mode, the internal gate drive logic ensures there is break-before-make complimentary switching to prevent shoot-through currents. During the 30ns dead time where both FETs are off, the body-diode of the low-side power MOSFET conducts the inductor current. Having the low-side FET turn-on keeps the power dissipation low, and allows safely charging at high currents. During synchronous mode the inductor current is always flowing and converter operates in continuous conduction mode (CCM), creating a fixed two-pole system.

The charger operates in non-synchronous mode when the SRP-SRN voltage is below 5mV (0.5A inductor current for a 10mΩ sense resistor). The charger is forced into non-synchronous mode when battery voltage is lower than 2V or when the average SRP-SRN voltage is lower than 1.25mV.

During non-synchronous operation, the body-diode of lower-side MOSFET can conduct the positive inductor current after the high-side n-channel power MOSFET turns off. When the load current decreases and the inductor current drops to zero, the body diode will be naturally turned off and the inductor current will become discontinuous. This mode is called Discontinuous Conduction Mode (DCM). During DCM, the low-side n-channel power MOSFET will turn-on for around 80ns when the bootstrap capacitor voltage drops below 4.2V, then the low-side power MOSFET will turn-off and stay off until the beginning of the next cycle, where the high-side power MOSFET is turned on again. The 80ns low-side MOSFET on-time is required to ensure the bootstrap capacitor is always recharged and able to keep the high-side power MOSFET on during the next cycle. This is important for battery chargers, where unlike regular dc-dc converters, there is a battery load that maintains a voltage and can both source and sink current. The 80ns low-side pulse pulls the PH node (connection between high and low-side MOSFET) down, allowing the bootstrap capacitor to recharge up to the REGN LDO value. After the 80ns, the low-side MOSFET is kept off to prevent negative inductor current from occurring.

At very low currents during non-synchronous operation, there may be a small amount of negative inductor current during the 80ns recharge pulse. The charge should be low enough to be absorbed by the input capacitance. Whenever the converter goes into zero percent duty-cycle, the high-side MOSFET does not turn on, and the low-side MOSFET does not turn on (only 80ns recharge pulse) either, and there is almost no discharge from the battery.

During the DCM mode the loop response automatically changes and has a single pole system at which the pole is proportional to the load current, because the converter does not sink current, and only the load provides a current sink. This means at very low currents the loop response is slower, as there is less sinking current available to discharge the output voltage.

### Cycle-by-Cycle Charge Under Current Protection

If the SRP-SRN voltage decreases below 5mV (The charger is also forced into non-synchronous mode when the average SRP-SRN voltage is lower than 1.25mV), the low side FET will be turned off for the remainder of the switching cycle to prevent negative inductor current. During DCM, the low-side FET will only turn on for at around 80ns when the bootstrap capacitor voltage drops below 4.2V to provide refresh charge for the bootstrap capacitor. This is important to prevent negative inductor current from causing a boost effect in which the input voltage increases as power is transferred from the battery to the input capacitors and lead to an over-voltage stress on the VCC node and potentially cause damage to the system.

### Input Over-Voltage Protection (ACOV)

ACOV provides protection to prevent system damage due to high input voltage. Once the adapter voltage reaches the ACOV threshold, charge is disabled and the system is switched to battery instead of adapter.

### Input Under-Voltage-Lock-Out (UVLO)

The system must have a minimum VCC voltage to allow proper operation. This VCC voltage could come from either input adapter or battery, if a conduction path exists from the battery to VCC through the high side NMOS body diode. When VCC is below the UVLO threshold, all circuits in the IC are disabled.

### Battery Over-Voltage Protection

The converter will not allow the high-side FET to turn-on until the BAT voltage goes below 102% of the regulation voltage. This allows one-cycle response to an over-voltage condition – such as occurs when the load is removed or the battery is disconnected. An 8mA current sink from SRP/SRN to GND is on only during charge and allows discharging the stored output inductor energy that is transferred to the output capacitors.

### Cycle-by-Cycle Charge Over-Current Protection

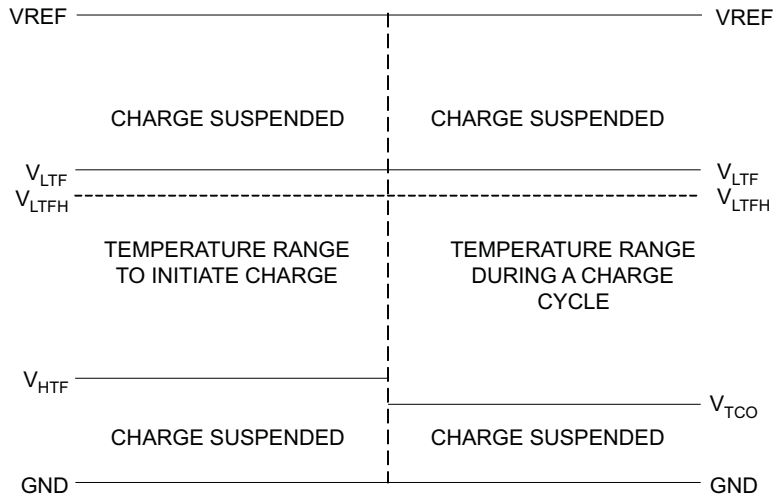
The charger has a secondary cycle-to-cycle over-current protection. It monitors the charge current, and prevents the current from exceeding 160% of the programmed charge current. The high-side gate drive turns off when the over-current is detected, and automatically resumes when the current falls below the over-current threshold.

### Thermal Shutdown Protection

The QFN package has low thermal impedance, which provides good thermal conduction from the silicon to the ambient, to keep junctions temperatures low. As added level of protection, the charger converter turns off and self-protects whenever the junction temperature exceeds the TSHUT threshold of 145°C. The charger stays off until the junction temperature falls below 130°C, then the charger will soft-start again if all other enable charge conditions are valid. Thermal shutdown will also suspend the safety timer.

## Temperature Qualification

The controller continuously monitors battery temperature by measuring the voltage between the TS pin and GND. A negative temperature coefficient thermistor (NTC) and an external voltage divider typically develop this voltage. The controller compares this voltage against its internal thresholds to determine if charging is allowed. To initiate a charge cycle, the battery temperature must be within the V(LTF) to V(HTF) thresholds. If battery temperature is outside of this range, the controller suspends charge, safety timer and waits until the battery temperature is within the V(LTF) to V(HTF) range. During the charge cycle the battery temperature must be within the V(LTF) to V(TCO) thresholds. If battery temperature is outside of this range, the controller suspends charge, safety timer and waits until the battery temperature is within the V(LTF) to V(HTF) range. The controller suspends charge by turning off the PWM charge FETs. [Figure 14](#) summarizes the operation.



**Figure 14. TS pin, Thermistor Sense Thresholds**

Assuming a 103AT NTC thermistor on the battery pack as shown in [Figure 1](#), the value RT1 and RT2 can be determined by using [Equation 6](#) and [Equation 7](#):

$$RT2 = \frac{V_{VREF} \times RTH_{COLD} \times RTH_{HOT} \times \left( \frac{1}{V_{LTF}} - \frac{1}{V_{HTF}} \right)}{RTH_{HOT} \times \left( \frac{V_{VREF}}{V_{HTF}} - 1 \right) - RTH_{COLD} \times \left( \frac{V_{VREF}}{V_{LTF}} - 1 \right)} \quad (6)$$

$$RT1 = \frac{\frac{V_{VREF}}{V_{LTF}} - 1}{\frac{1}{RT2} + \frac{1}{RTH_{COLD}}} \quad (7)$$

For example, a 103AT NTC thermistor is used to monitor the battery pack temperature. Select  $T_{COLD} = 0^{\circ}\text{C}$  and  $T_{HOT} = 40^{\circ}\text{C}$ . Then we get  $R_{T2} = 430 \text{ k}\Omega$ ,  $R_{T1} = 9.311\Omega$  and  $T_{CUT\_OFF} = 45^{\circ}\text{C}$ . A small RC filter is suggested to use for system-level ESD protection.



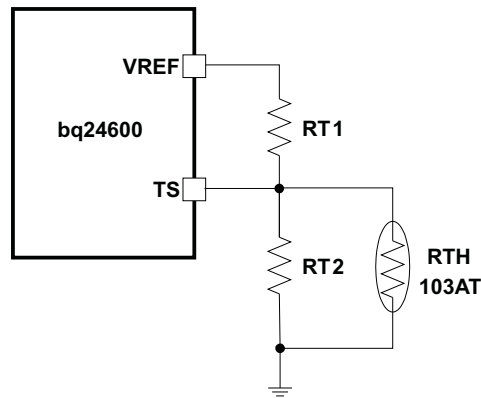


Figure 15. TS Resistor Network

### Timer Fault Recovery

The bq24600 provides a recovery method to deal with timer fault conditions. The following summarizes this method:

**Condition 1:** The battery voltage is above the recharge threshold and a timeout fault occurs.

**Recovery Method:** The timer fault will clear when the battery voltage falls below the recharge threshold, and battery detection will begin. Taking CE low or a POR condition will also clear the fault.

**Condition 2:** The battery voltage is below the recharge threshold and a timeout fault occurs.

**Recovery Method:** Under this scenario, the bq24600 applies the  $I_{FAULT}$  current to the battery. This small current is used to detect a battery removal condition and remains on as long as the battery voltage stays below the recharge threshold. If the battery voltage goes above the recharge threshold, the bq24600 disables the fault current and executes the recovery method described in Condition 1. Taking CE low or a POR condition will also clear the fault.

### $\overline{PG}$ Output

The open drain  $\overline{PG}$  (power good) output indicates whether the VCC voltage is valid or not. The open drain FET turns on whenever bq24600 has a valid VCC input (not in UVLO or ACOV or SLEEP mode). The  $\overline{PG}$  pin can be used to drive an LED or communicate to the host processor. It can also be used to drive ACFET and BATFET.

### CE (Charge Enable)

The CE digital input is used to disable or enable the charge process. A high-level signal on this pin enables charge, provided all the other conditions for charge are met (see **Enabling and Disabling Charge**). A high to low transition on this pin also resets all timers and fault conditions. There is an internal 1 M $\Omega$  pull-down resistor on the CE pin, so if CE is floated the charge will not turn on.

### Inductor, Capacitor, and Sense Resistor Selection Guidelines

The bq24600 provides internal loop compensation. With this scheme, best stability occurs when the LC resonant frequency,  $f_o$ , is approximately 17 kHz – 25 kHz for bq24600, per [Equation 8](#):

$$f_o = \frac{1}{2\pi\sqrt{L_o C_o}} \quad (8)$$

[Table 2](#) provides a summary of typical LC components for various charge currents.

**Table 2. Typical Inductor, Capacitor, and Sense Resistor Values as a Function of Charge Current**

Charge Current	2A	4A	6A	8A	10A
Output Inductor Lo	3.3 $\mu$ H	3.3 $\mu$ H	2.2 $\mu$ H	1.5 $\mu$ H	1.5 $\mu$ H
Output Capacitor Co	20 $\mu$ F	20 $\mu$ F	30 $\mu$ F	40 $\mu$ F	40 $\mu$ F
Sense Resistor	10 m $\Omega$	10 m $\Omega$	10 m $\Omega$	10 m $\Omega$	10 m $\Omega$

### Charge Status Outputs

The open-drain STAT outputs indicate various charger operations as shown in [Table 3](#). These status pins can be used to drive LEDs or communicate with the host processor. Note that OFF indicates that the open-drain transistor is turned off.

**Table 3. STAT Pin Definition for bq24600**

CHARGE STATE	STAT
Charge in progress	ON
Charge complete ( $\overline{PG}$ = LOW)	OFF
Sleep mode ( $\overline{PG}$ = HIGH)	OFF
Charge suspend, timer fault, input over-voltage, battery absent	BLINK (0.5 Hz)

## Battery Detection

For applications with removable battery packs, bq24600 provides a battery absent detection scheme to reliably detect insertion or removal of battery packs. CE need to be HIGH to enable battery detection function.

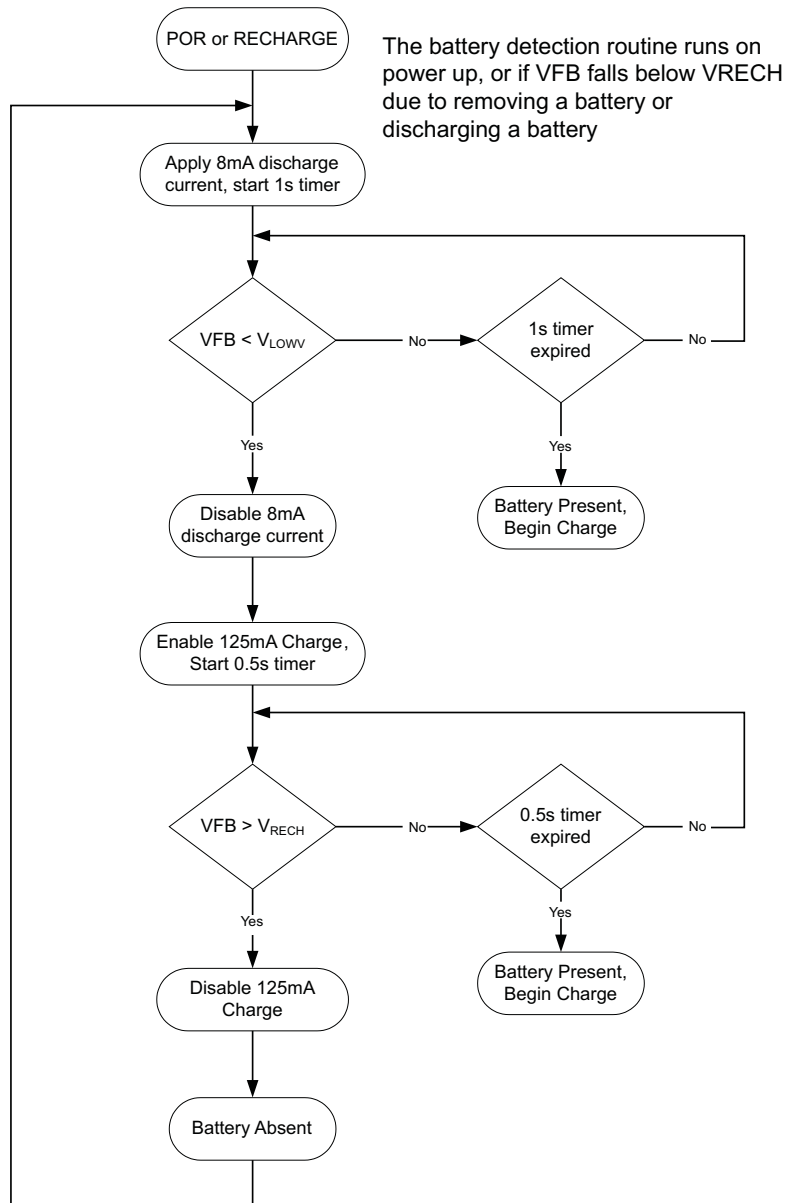
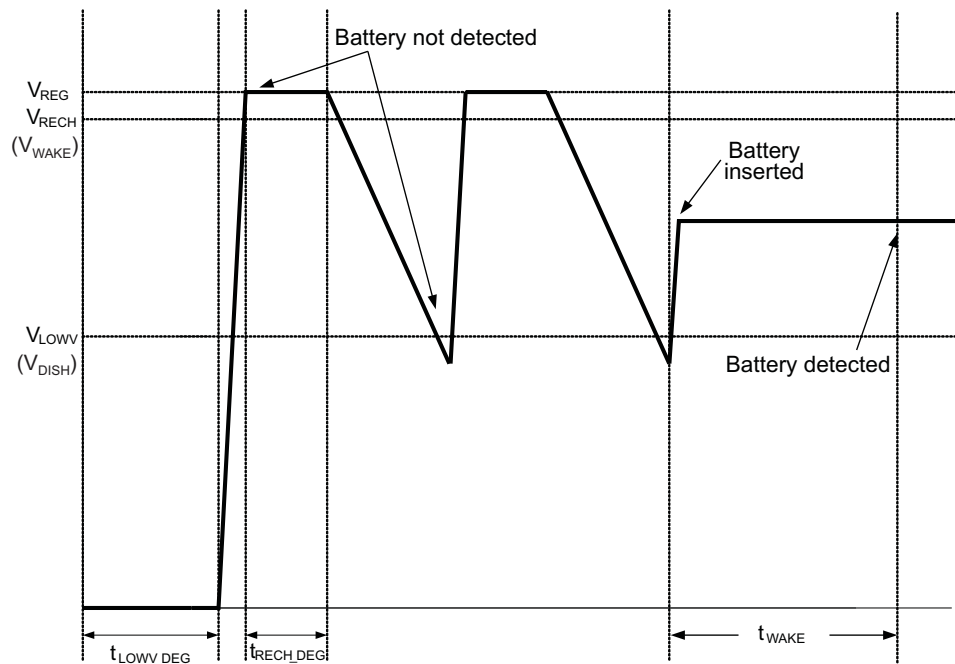


Figure 16. Battery Detection Flowchart

Once the device has powered up, an 8mA discharge current will be applied to the SRN terminal. If the battery voltage falls below the LOWV threshold within 1 second, the discharge source is turned off, and the charger is turned on at low charge current (125mA). If the battery voltage gets up above the recharge threshold within 500ms, there is no battery present and the cycle restarts. If either the 500ms or 1 second timer time out before the respective thresholds are hit, a battery is detected and a charge cycle is initiated.



**Figure 17. Battery Detect Timing Diagram**

Care must be taken that the total output capacitance at the battery node is not so large that the discharge current source cannot pull the voltage below the LOWV threshold during the 1 second discharge time. The maximum output capacitance can be calculated as shown in Equation 9.

$$C_{MAX} = \frac{I_{DISCH} \times t_{DISCH}}{0.5 \times \left[ 1 + \frac{R_2}{R_1} \right]} \quad (9)$$

Where  $C_{MAX}$  is the maximum output capacitance,  $I_{DISCH}$  is the discharge current,  $t_{DISCH}$  is the discharge time, and  $R_2$  and  $R_1$  are the voltage feedback resistors from the battery to the VFB pin. The 0.5 factor is the difference between the RECHARGE and the LOWV thresholds at the VFB pin.

#### EXAMPLE

For a 3-cell Li+ charger, with  $R_2 = 500\text{k}\Omega$ ,  $R_1 = 100\text{k}\Omega$  (giving 12.6V for voltage regulation),  $I_{DISCH} = 8\text{mA}$ ,  $t_{DISCH} = 1$  second,

$$C_{MAX} = \frac{8\text{mA} \times 1\text{sec}}{0.5 \times \left[ 1 + \frac{500\text{ k}\Omega}{100\text{ k}\Omega} \right]} = 2.7\text{mF} \quad (10)$$

Based on these calculations, no more than 2.7 mF should be allowed on the battery node for proper operation of the battery detection circuit.

#### Component List for Typical System Circuit of Figure 1

PART DESIGNATOR	QTY	DESCRIPTION
Q4, Q5	2	N-channel MOSFET, 40 V, 30 A, PowerPAK SO-8, Vishay-Siliconix, SiR426DN
D1	1	Diode, Dual Schottky, 30 V, 200 mA, SOT23, Fairchild, BAT54C
D2	1	Schottky Diode, 40V, 5A, SMC, ON Semiconductor, MBR540T3
R <sub>SR</sub>	2	Sense Resistor, 10 mΩ, 1%, 1 W, 2010, Vishay-Dale, WSL2010R0100F
L1	1	Inductor, 3.3 μH, 5.5 A, Vishay-Dale, IHLP2525CZ
C8, C9, C12, C13	4	Capacitor, Ceramic, 10 μF, 35 V, 10%, X7R

PART DESIGNATOR	QTY	DESCRIPTION
C2	1	Capacitor, Ceramic, 2.2 $\mu$ F, 50 V, 10%, X7R
C4, C5	2	Capacitor, Ceramic, 1 $\mu$ F, 16V, 10%, X7R
C7	1	Capacitor, Ceramic, 1 $\mu$ F, 50 V, 10%, X7R
C1, C6, C11	4	Capacitor, Ceramic, 0.1 $\mu$ F, 16 V, 10%, X7R
C <sub>ff</sub>	1	Capacitor, Ceramic, 22 pF, 35 V, 10%, X7R
C10	1	Capacitor, Ceramic, 0.1 $\mu$ F, 50V, 10%
R1, R7	2	Resistor, Chip, 100 k $\Omega$ , 1/16W, 0.5%
R2	1	Resistor, Chip, 900 k $\Omega$ , 1/16W, 0.5%
R8	1	Resistor, Chip, 22.1 k $\Omega$ , 1/16W, 0.5%
R9	1	Resistor, Chip, 9.31 k $\Omega$ , 1/16W, 1%
R10	1	Resistor, Chip, 430 k $\Omega$ , 1/16W, 1%
R11	1	Resistor, Chip, 2 $\Omega$ , 1W, 5%
R13, R14	2	Resistor, Chip, 10 k $\Omega$ , 1/16W, 5%
R5	1	Resistor, Chip, 100 $\Omega$ , 1/16W, 0.5%
R6	1	Resistor, Chip, 10 $\Omega$ , 1W, 5%
D3, D4	2	LED Diode, Green, 2.1V, 10m $\Omega$ , Vishay-Dale, WSL2010R0100F

## APPLICATION INFORMATION

### Inductor Selection

The bq24600 has 1.2 MHz switching frequency to allow the use of small inductor and capacitor values. Inductor saturation current should be higher than the charging current ( $I_{\text{CHARGE}}$ ) plus half the ripple current ( $I_{\text{RIPPLE}}$ ):

$$I_{\text{SAT}} \geq I_{\text{CHG}} + (1/2) I_{\text{RIPPLE}} \quad (11)$$

The inductor ripple current depends on input voltage ( $V_{\text{IN}}$ ), duty cycle ( $D=V_{\text{OUT}}/V_{\text{IN}}$ ), switching frequency ( $f_s$ ) and inductance (L):

$$I_{\text{RIPPLE}} = \frac{V_{\text{IN}} \times D \times (1 - D)}{f_s \times L} \quad (12)$$

The maximum inductor ripple current happens with  $D = 0.5$  or close to 0.5. For example, the battery charging voltage range is from 9V to 12.6V for 3-cell battery pack. For 20V adapter voltage, 10V battery voltage gives the maximum inductor ripple current. Another example is 4-cell battery, the battery voltage range is from 12V to 16.8V, and 12V battery voltage gives the maximum inductor ripple current.

Usually inductor ripple is designed in the range of (20–40%) maximum charging current as a trade-off between inductor size and efficiency for a practical design.

The bq24600 has cycle-by-cycle charge under current protection (UCP) by monitoring charging current sensing resistor to prevent negative inductor current. The Typical UCP threshold is 5mV falling edge corresponding to 0.5A falling edge for a 10m $\Omega$  charging current sensing resistor.

### Input Capacitor

Input capacitor should have enough ripple current rating to absorb input switching ripple current. The worst case RMS ripple current is half of the charging current when duty cycle is 0.5. If the converter does not operate at 50% duty cycle, then the worst case capacitor RMS current  $I_{\text{CIN}}$  occurs where the duty cycle is closest to 50% and can be estimated by the following equation:

$$I_{\text{CIN}} = I_{\text{CHG}} \times \sqrt{D \times (1-D)} \quad (13)$$

Low ESR ceramic capacitor such as X7R or X5R is preferred for input decoupling capacitor and should be placed to the drain of the high side MOSFET and source of the low side MOSFET as close as possible. Voltage rating of the capacitor must be higher than normal input voltage level. 25V rating or higher capacitor is preferred for 20V input voltage. 10-20 $\mu\text{F}$  capacitance is suggested for typical of 3-4A charging current.

### Output Capacitor

Output capacitor also should have enough ripple current rating to absorb output switching ripple current. The output capacitor RMS current  $I_{\text{COUT}}$  is given:

$$I_{\text{COUT}} = \frac{I_{\text{RIPPLE}}}{2 \times \sqrt{3}} \approx 0.29 \times I_{\text{RIPPLE}} \quad (14)$$

The output capacitor voltage ripple can be calculated as follows:

$$\Delta V_o = \frac{1}{8LCf_s^2} \left( 1 - \frac{V_{\text{OUT}}^2}{V_{\text{IN}}^2} \right) \quad (15)$$

At certain input/output voltage and switching frequency, the voltage ripple can be reduced by increasing the output filter LC.

The bq24600 has internal loop compensator. To get good loop stability, the resonant frequency of the output inductor and output capacitor should be designed between 17 kHz and 25 kHz. The preferred ceramic capacitor is 25V or higher rating, X7R or X5R for 4-cell application.

## Power MOSFETs Selection

Two external N-channel MOSFETs are used for a synchronous switching battery charger. The gate drivers are internally integrated into the IC with 6V of gate drive voltage. 30V or higher voltage rating MOSFETs are preferred for 20V input voltage and 40V or higher rating MOSFETs are preferred for 20-28V input voltage.

Figure-of-merit (FOM) is usually used for selecting proper MOSFET based on a tradeoff between the conduction loss and switching loss. For top side MOSFET, FOM is defined as the product of a MOSFET's on-resistance,  $R_{DS(ON)}$ , and the gate-to-drain charge,  $Q_{GD}$ . For bottom side MOSFET, FOM is defined as the product of the MOSFET's on-resistance,  $R_{DS(ON)}$ , and the total gate charge,  $Q_G$ .

$$FOM_{top} = R_{DS(on)} \times Q_{GD} \quad FOM_{bottom} = R_{DS(on)} \times Q_G \quad (16)$$

The lower the FOM value, the lower the total power loss. Usually lower  $R_{DS(ON)}$  has higher cost with the same package size.

The top-side MOSFET loss includes conduction loss and switching loss. It is a function of duty cycle ( $D=V_{OUT}/V_{IN}$ ), charging current ( $I_{CHARGE}$ ), MOSFET's on-resistance  $R_{DS(ON)}$ , input voltage ( $V_{IN}$ ), switching frequency ( $F$ ), turn on time ( $t_{on}$ ) and turn off time ( $t_{off}$ ):

$$P_{top} = D \times I_{CHG}^2 \times R_{DS(on)} + \frac{1}{2} \times V_{IN} \times I_{CHG} \times (t_{on} + t_{off}) \times f_s \quad (17)$$

The first item represents the conduction loss. Usually MOSFET  $R_{DS(ON)}$  increases by 50% with 100°C junction temperature rise. The second term represents the switching loss. The MOSFET turn-on and turn off times are given by:

$$t_{on} = \frac{Q_{SW}}{I_{on}}, \quad t_{off} = \frac{Q_{SW}}{I_{off}} \quad (18)$$

where  $Q_{sw}$  is the switching charge,  $I_{on}$  is the turn-on gate driving current and  $I_{off}$  is the turn-off gate driving current. If the switching charge is not given in MOSFET datasheet, it can be estimated by gate-to-drain charge ( $Q_{GD}$ ) and gate-to-source charge ( $Q_{GS}$ ):

$$Q_{SW} = Q_{GD} + \frac{1}{2} \times Q_{GS} \quad (19)$$

Gate driving current total can be estimated by REGN voltage ( $V_{REGN}$ ), MOSFET plateau voltage ( $V_{plt}$ ), total turn-on gate resistance ( $R_{on}$ ) and turn-off gate resistance ( $R_{off}$ ) of the gate driver:

$$I_{on} = \frac{V_{REGN} - V_{plt}}{R_{on}}, \quad I_{off} = \frac{V_{plt}}{R_{off}} \quad (20)$$

The conduction loss of the bottom-side MOSFET is calculated with the following equation when it operates in synchronous continuous conduction mode:

$$P_{bottom} = (1 - D) \times I_{CHG}^2 \times R_{DS(on)} \quad (21)$$

If the SRP-SRN voltage decreases below 5mV (The charger is also forced into non-synchronous mode when the average SRP-SRN voltage is lower than 1.25mV), the low side FET will be turned off for the remainder of the switching cycle to prevent negative inductor current.

As a result all the freewheeling current goes through the body-diode of the bottom-side MOSFET. The maximum charging current in non-synchronous mode can be up to 0.9A (0.5A typ) for a 10mΩ charging current sensing resistor considering IC tolerance. Choose the bottom-side MOSFET with either an internal Schottky or body diode capable of carrying the maximum non-synchronous mode charging current.

MOSFET gate driver power loss contributes to the dominant losses on controller IC, when the buck converter is switching. Choosing the MOSFET with a small  $Q_{g\_total}$  will largely reduce the IC power loss to avoid thermal shutdown.

$$P_{ICLoss\_driver} = V_{IN} \cdot Q_{g\_total} \cdot f_s \quad (22)$$

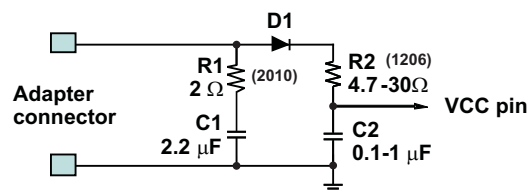
Where  $Q_{g\_total}$  is the total gate charge for both upper and lower MOSFET at 6V  $V_{REGN}$

## Input Filter Design

During adapter hot plug-in, the parasitic inductance and input capacitor from the adapter cable form a second order system. The voltage spike at VCC pin maybe beyond IC maximum voltage rating and damage IC. The input filter must be carefully designed and tested to prevent over voltage event on VCC pin.

There are several methods to damping or limit the over voltage spike during adapter hot plug-in. An electrolytic capacitor with high ESR as an input capacitor can damp the over voltage spike well below the IC maximum pin voltage rating. A high current capability TVS Zener diode can also limit the over voltage level to an IC safe level. However these two solutions may not have low cost or small size.

A cost effective and small size solution is shown in [Figure 18](#). The R1 and C1 are composed of a damping RC network to damp the hot plug-in oscillation. As a result the over voltage spike is limited to a safe level. D1 is used for reverse voltage protection for VCC pin ( it can be the input schottky diode or the body diode of input ACFET). C2 is VCC pin decoupling capacitor and it should be place to VCC pin as close as possible. The R2 and C2 form a damping RC network to further protect the IC from high dv/dt and high voltage spike. C2 value should be less than C1 value so R1 can dominant the equivalent ESR value to get enough damping effetc for hot plug-in. R1 and R2 package must be sized enough to handle inrush current power loss according to resistor manufacturer's datasheet. The filter components value always need to be verified with real application and minor adjustments may need to fit in the real application circuit.



**Figure 18. Input Filter**

## PCB Layout

The switching node rise and fall times should be minimized for minimum switching loss. Proper layout of the components to minimize high frequency current path loop (see [Figure 19](#)) is important to prevent electrical and magnetic field radiation and high frequency resonant problems. Here is a PCB layout priority list for proper layout. Layout PCB according to this specific order is essential.

1. Place input capacitor as close as possible to switching MOSFET's supply and ground connections and use shortest copper trace connection. These parts should be placed on the same layer of PCB instead of on different layers and using vias to make this connection.
2. The IC should be placed close to the switching MOSFET's gate terminals and keep the gate drive signal traces short for a clean MOSFET drive. The IC can be placed on the other side of the PCB of switching MOSFETs.
3. Place inductor input terminal to switching MOSFET's output terminal as close as possible. Minimize the copper area of this trace to lower electrical and magnetic field radiation but make the trace wide enough to carry the charging current. Do not use multiple layers in parallel for this connection. Minimize parasitic capacitance from this area to any other trace or plane.
4. The charging current sensing resistor should be placed right next to the inductor output. Route the sense leads connected across the sensing resistor back to the IC in same layer, close to each other (minimize loop area) and do not route the sense leads through a high-current path (see [Figure 20](#) for Kelvin connection for best current accuracy). Place decoupling capacitor on these traces next to the IC.
5. Place output capacitor next to the sensing resistor output and ground.
6. Output capacitor ground connections need to be tied to the same copper that connects to the input capacitor ground before connecting to system ground.
7. Route analog ground separately from power ground and use single ground connection to tie charger power ground to charger analog ground. Just beneath the IC use analog ground copper pour but avoid power pins to reduce inductive and capacitive noise coupling. Connect analog ground to GND. Connect analog ground and power ground together using PowerPAD as the single ground connection point. Or using a 0Ω resistor to tie analog ground to power ground (PowerPAD should tie to analog ground in this case). A star-connection



under PowerPAD is highly recommended.

8. It is critical that the exposed PowerPAD on the backside of the IC package be soldered to the PCB ground. Ensure that there are sufficient thermal vias directly under the IC, connecting to the ground plane on the other layers.
9. Decoupling capacitors should be placed next to the IC pins and make trace connection as short as possible.
10. All via size and number should be enough for a given current path.

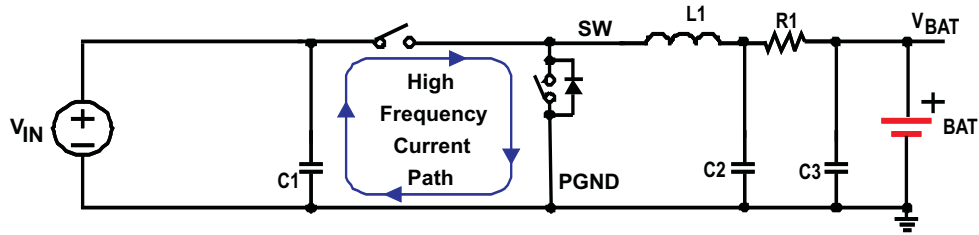


Figure 19. High Frequency Current Path

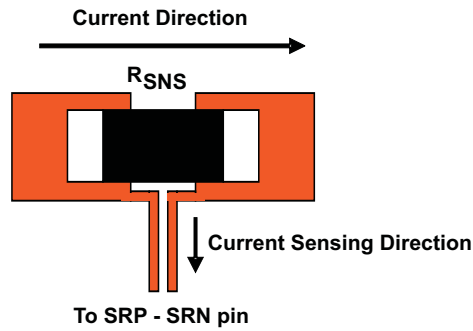


Figure 20. Sensing Resistor PCB Layout

Refer to the EVM design ([SLUU410](#)) for the recommended component placement with trace and via locations. For the QFN information, refer to [SCBA017](#) and [SLUA271](#).

**PACKAGING INFORMATION**

Orderable Device	Status <sup>(1)</sup>	Package Type	Package Drawing	Pins	Package Qty	Eco Plan <sup>(2)</sup>	Lead/Ball Finish	MSL Peak Temp <sup>(3)</sup>
BQ24600RVAR	ACTIVE	VQFN	RVA	16	3000	Green (RoHS & no Sb/Br)	CU NIPDAU	Level-2-260C-1 YEAR
BQ24600RVAT	ACTIVE	VQFN	RVA	16	250	Green (RoHS & no Sb/Br)	CU NIPDAU	Level-2-260C-1 YEAR

<sup>(1)</sup> The marketing status values are defined as follows:

**ACTIVE:** Product device recommended for new designs.

**LIFEBUY:** TI has announced that the device will be discontinued, and a lifetime-buy period is in effect.

**NRND:** Not recommended for new designs. Device is in production to support existing customers, but TI does not recommend using this part in a new design.

**PREVIEW:** Device has been announced but is not in production. Samples may or may not be available.

**OBsolete:** TI has discontinued the production of the device.

<sup>(2)</sup> Eco Plan - The planned eco-friendly classification: Pb-Free (RoHS), Pb-Free (RoHS Exempt), or Green (RoHS & no Sb/Br) - please check <http://www.ti.com/productcontent> for the latest availability information and additional product content details.

**TBD:** The Pb-Free/Green conversion plan has not been defined.

**Pb-Free (RoHS):** TI's terms "Lead-Free" or "Pb-Free" mean semiconductor products that are compatible with the current RoHS requirements for all 6 substances, including the requirement that lead not exceed 0.1% by weight in homogeneous materials. Where designed to be soldered at high temperatures, TI Pb-Free products are suitable for use in specified lead-free processes.

**Pb-Free (RoHS Exempt):** This component has a RoHS exemption for either 1) lead-based flip-chip solder bumps used between the die and package, or 2) lead-based die adhesive used between the die and leadframe. The component is otherwise considered Pb-Free (RoHS compatible) as defined above.

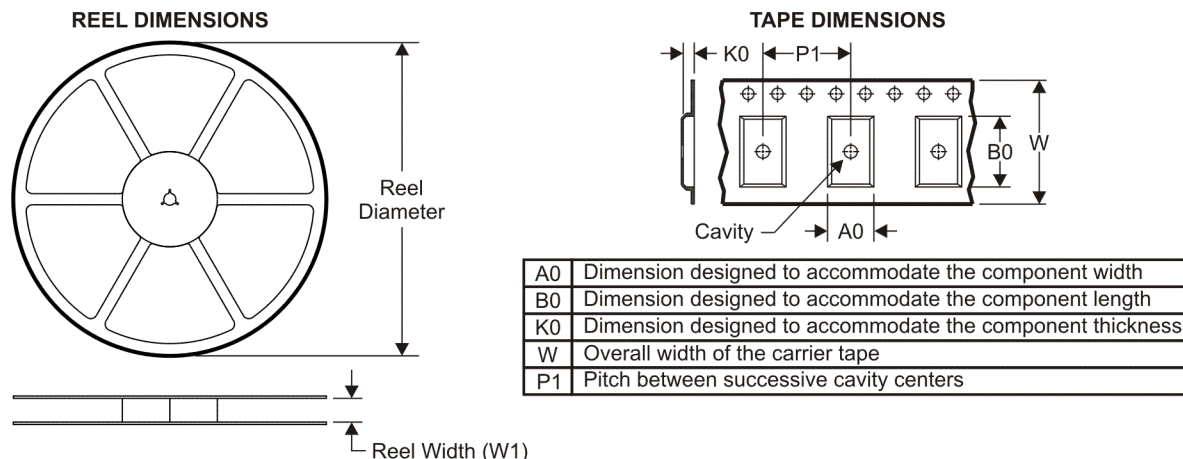
**Green (RoHS & no Sb/Br):** TI defines "Green" to mean Pb-Free (RoHS compatible), and free of Bromine (Br) and Antimony (Sb) based flame retardants (Br or Sb do not exceed 0.1% by weight in homogeneous material)

<sup>(3)</sup> MSL, Peak Temp. -- The Moisture Sensitivity Level rating according to the JEDEC industry standard classifications, and peak solder temperature.

**Important Information and Disclaimer:**The information provided on this page represents TI's knowledge and belief as of the date that it is provided. TI bases its knowledge and belief on information provided by third parties, and makes no representation or warranty as to the accuracy of such information. Efforts are underway to better integrate information from third parties. TI has taken and continues to take reasonable steps to provide representative and accurate information but may not have conducted destructive testing or chemical analysis on incoming materials and chemicals. TI and TI suppliers consider certain information to be proprietary, and thus CAS numbers and other limited information may not be available for release.

In no event shall TI's liability arising out of such information exceed the total purchase price of the TI part(s) at issue in this document sold by TI to Customer on an annual basis.

TAPE AND REEL INFORMATION



QUADRANT ASSIGNMENTS FOR PIN 1 ORIENTATION IN TAPE



\*All dimensions are nominal

Device	Package Type	Package Drawing	Pins	SPQ	Reel Diameter (mm)	Reel Width W1 (mm)	A0 (mm)	B0 (mm)	K0 (mm)	P1 (mm)	W (mm)	Pin1 Quadrant
BQ24600RVAR	VQFN	RVA	16	3000	330.0	12.4	3.75	3.75	1.15	8.0	12.0	Q1
BQ24600RVAT	VQFN	RVA	16	250	180.0	12.4	3.75	3.75	1.15	8.0	12.0	Q1

**TAPE AND REEL BOX DIMENSIONS**



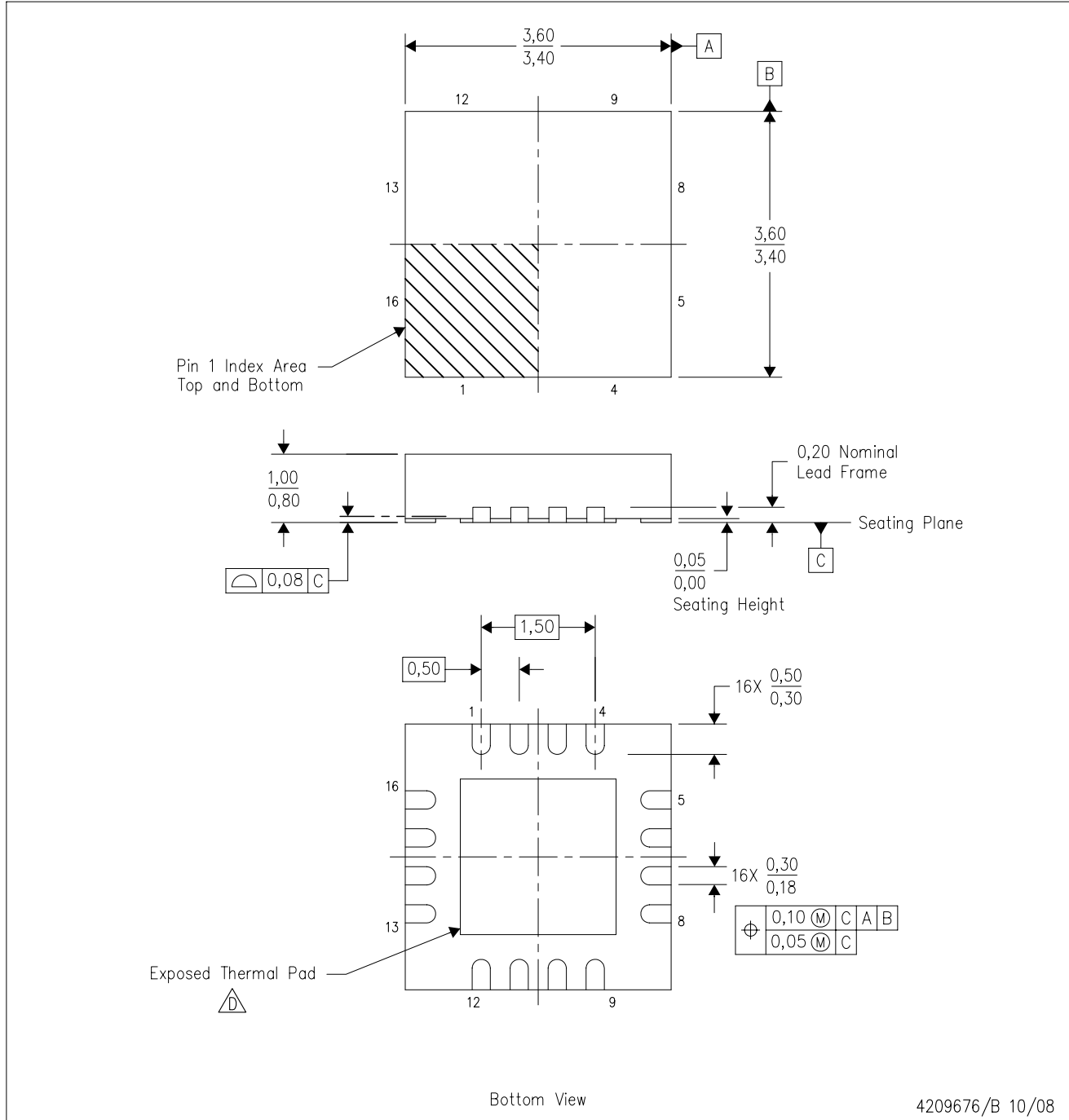
\*All dimensions are nominal

Device	Package Type	Package Drawing	Pins	SPQ	Length (mm)	Width (mm)	Height (mm)
BQ24600RVAR	VQFN	RVA	16	3000	346.0	346.0	29.0
BQ24600RVAT	VQFN	RVA	16	250	190.5	212.7	31.8

[查询"BQ24600"供应商](#)

RVA (S-PVQFN-N16)

PLASTIC QUAD FLATPACK NO-LEAD



4209676/B 10/08

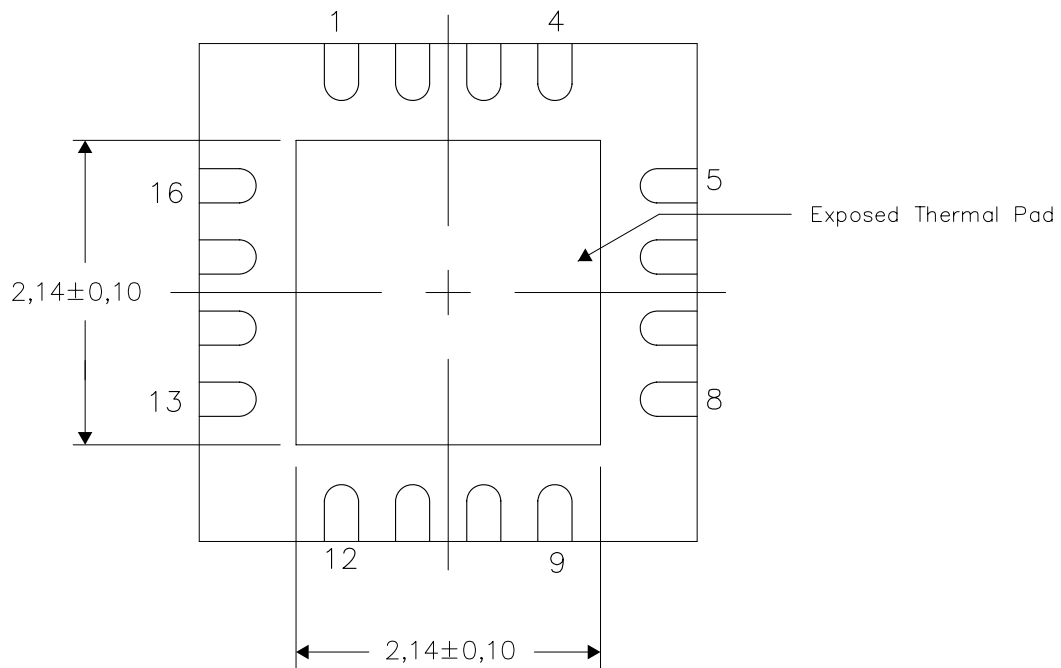
- NOTES:
- A. All linear dimensions are in millimeters. Dimensioning and tolerancing per ASME Y14.5M-1994.
  - B. This drawing is subject to change without notice.
  - C. QFN (Quad Flatpack No-Lead) package configuration.
  - $\triangle$  The package thermal pad must be soldered to the board for thermal and mechanical performance.

**THERMAL INFORMATION**

This package incorporates an exposed thermal pad that is designed to be attached directly to an external heatsink. The thermal pad must be soldered directly to the printed circuit board (PCB). After soldering, the PCB can be used as a heatsink. In addition, through the use of thermal vias, the thermal pad can be attached directly to the appropriate copper plane shown in the electrical schematic for the device, or alternatively, can be attached to a special heatsink structure designed into the PCB. This design optimizes the heat transfer from the integrated circuit (IC).

For information on the Quad Flatpack No-Lead (QFN) package and its advantages, refer to Application Report, QFN/SON PCB Attachment, Texas Instruments Literature No. SLUA271. This document is available at [www.ti.com](http://www.ti.com).

The exposed thermal pad dimensions for this package are shown in the following illustration.



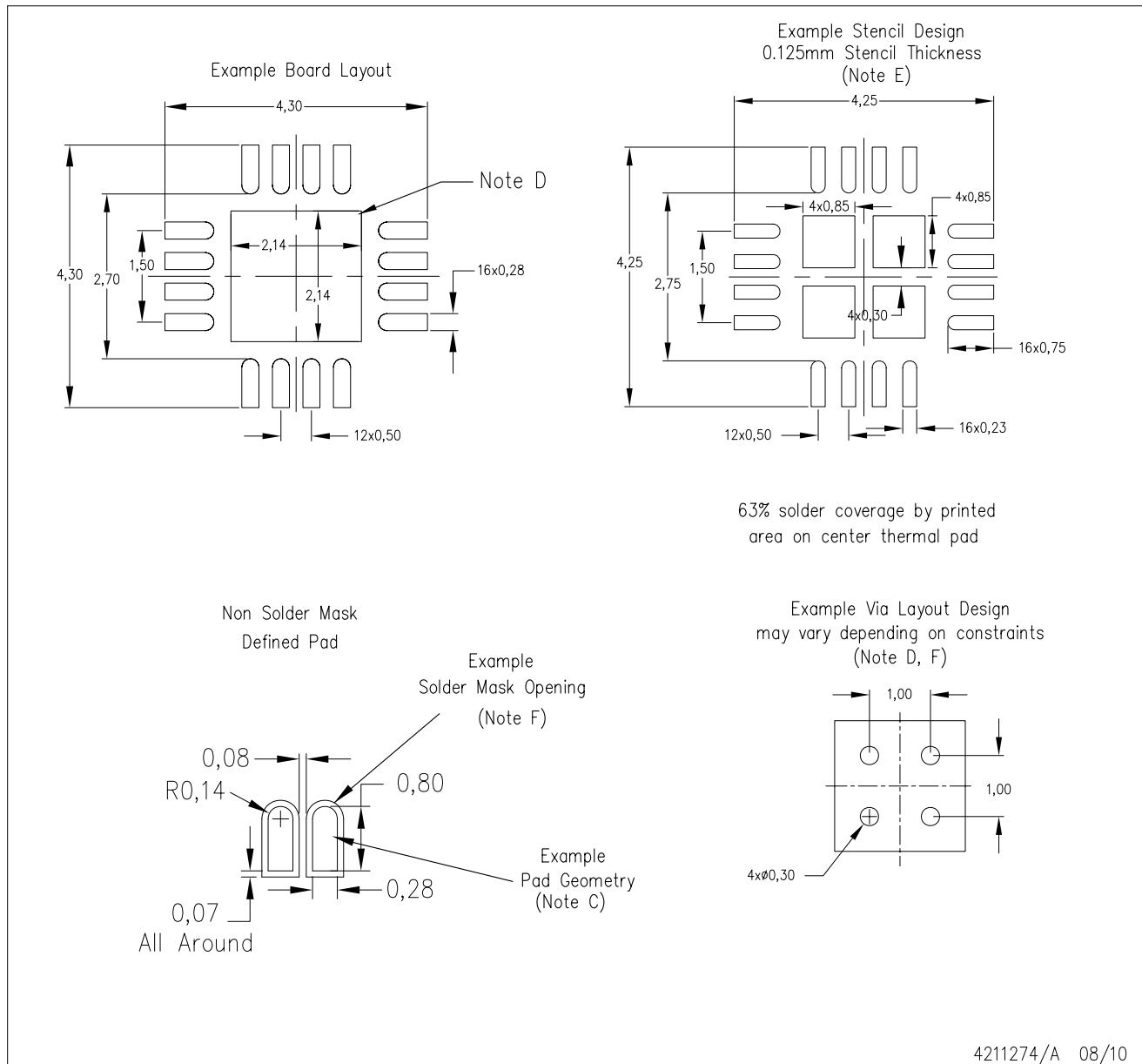
Bottom View

NOTE: All linear dimensions are in millimeters

Exposed Thermal Pad Dimensions

RVA (S-PVQFN-N16)

PLASTIC QUAD FLATPACK NO-LEAD



- NOTES:
- All linear dimensions are in millimeters.
  - This drawing is subject to change without notice.
  - Publication IPC-7351 is recommended for alternate designs.
  - This package is designed to be soldered to a thermal pad on the board. Refer to Application Note, Quad Flat-Pack QFN/SON PCB Attachment, Texas Instruments Literature No. SLUA271, and also the Product Data Sheets for specific thermal information, via requirements, and recommended board layout. These documents are available at [www.ti.com](http://www.ti.com) <<http://www.ti.com>>.
  - Laser cutting apertures with trapezoidal walls and also rounding corners will offer better paste release. Customers should contact their board assembly site for stencil design recommendations. Refer to IPC 7525 for stencil design considerations.
  - Customers should contact their board fabrication site for minimum solder mask web tolerances between signal pads.

## IMPORTANT NOTICE

Texas Instruments Incorporated and its subsidiaries (TI) reserve the right to make corrections, modifications, enhancements, improvements, and other changes to its products and services at any time and to discontinue any product or service without notice. Customers should obtain the latest relevant information before placing orders and should verify that such information is current and complete. All products are sold subject to TI's terms and conditions of sale supplied at the time of order acknowledgment.

TI warrants performance of its hardware products to the specifications applicable at the time of sale in accordance with TI's standard warranty. Testing and other quality control techniques are used to the extent TI deems necessary to support this warranty. Except where mandated by government requirements, testing of all parameters of each product is not necessarily performed.

TI assumes no liability for applications assistance or customer product design. Customers are responsible for their products and applications using TI components. To minimize the risks associated with customer products and applications, customers should provide adequate design and operating safeguards.

TI does not warrant or represent that any license, either express or implied, is granted under any TI patent right, copyright, mask work right, or other TI intellectual property right relating to any combination, machine, or process in which TI products or services are used. Information published by TI regarding third-party products or services does not constitute a license from TI to use such products or services or a warranty or endorsement thereof. Use of such information may require a license from a third party under the patents or other intellectual property of the third party, or a license from TI under the patents or other intellectual property of TI.

Reproduction of TI information in TI data books or data sheets is permissible only if reproduction is without alteration and is accompanied by all associated warranties, conditions, limitations, and notices. Reproduction of this information with alteration is an unfair and deceptive business practice. TI is not responsible or liable for such altered documentation. Information of third parties may be subject to additional restrictions.

Resale of TI products or services with statements different from or beyond the parameters stated by TI for that product or service voids all express and any implied warranties for the associated TI product or service and is an unfair and deceptive business practice. TI is not responsible or liable for any such statements.

TI products are not authorized for use in safety-critical applications (such as life support) where a failure of the TI product would reasonably be expected to cause severe personal injury or death, unless officers of the parties have executed an agreement specifically governing such use. Buyers represent that they have all necessary expertise in the safety and regulatory ramifications of their applications, and acknowledge and agree that they are solely responsible for all legal, regulatory and safety-related requirements concerning their products and any use of TI products in such safety-critical applications, notwithstanding any applications-related information or support that may be provided by TI. Further, Buyers must fully indemnify TI and its representatives against any damages arising out of the use of TI products in such safety-critical applications.

TI products are neither designed nor intended for use in military/aerospace applications or environments unless the TI products are specifically designated by TI as military-grade or "enhanced plastic." Only products designated by TI as military-grade meet military specifications. Buyers acknowledge and agree that any such use of TI products which TI has not designated as military-grade is solely at the Buyer's risk, and that they are solely responsible for compliance with all legal and regulatory requirements in connection with such use.

TI products are neither designed nor intended for use in automotive applications or environments unless the specific TI products are designated by TI as compliant with ISO/TS 16949 requirements. Buyers acknowledge and agree that, if they use any non-designated products in automotive applications, TI will not be responsible for any failure to meet such requirements.

Following are URLs where you can obtain information on other Texas Instruments products and application solutions:

<b>Products</b>		<b>Applications</b>	
Amplifiers	<a href="http://amplifier.ti.com">amplifier.ti.com</a>	Audio	<a href="http://www.ti.com/audio">www.ti.com/audio</a>
Data Converters	<a href="http://dataconverter.ti.com">dataconverter.ti.com</a>	Automotive	<a href="http://www.ti.com/automotive">www.ti.com/automotive</a>
DLP® Products	<a href="http://www.dlp.com">www.dlp.com</a>	Communications and Telecom	<a href="http://www.ti.com/communications">www.ti.com/communications</a>
DSP	<a href="http://dsp.ti.com">dsp.ti.com</a>	Computers and Peripherals	<a href="http://www.ti.com/computers">www.ti.com/computers</a>
Clocks and Timers	<a href="http://www.ti.com/clocks">www.ti.com/clocks</a>	Consumer Electronics	<a href="http://www.ti.com/consumer-apps">www.ti.com/consumer-apps</a>
Interface	<a href="http://interface.ti.com">interface.ti.com</a>	Energy	<a href="http://www.ti.com/energy">www.ti.com/energy</a>
Logic	<a href="http://logic.ti.com">logic.ti.com</a>	Industrial	<a href="http://www.ti.com/industrial">www.ti.com/industrial</a>
Power Mgmt	<a href="http://power.ti.com">power.ti.com</a>	Medical	<a href="http://www.ti.com/medical">www.ti.com/medical</a>
Microcontrollers	<a href="http://microcontroller.ti.com">microcontroller.ti.com</a>	Security	<a href="http://www.ti.com/security">www.ti.com/security</a>
RFID	<a href="http://www.ti-rfid.com">www.ti-rfid.com</a>	Space, Avionics & Defense	<a href="http://www.ti.com/space-avionics-defense">www.ti.com/space-avionics-defense</a>
RF/IF and ZigBee® Solutions	<a href="http://www.ti.com/lprf">www.ti.com/lprf</a>	Video and Imaging	<a href="http://www.ti.com/video">www.ti.com/video</a>
		Wireless	<a href="http://www.ti.com/wireless-apps">www.ti.com/wireless-apps</a>