

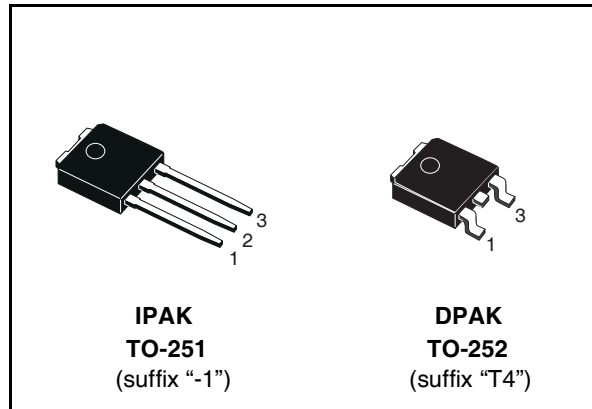


# BULD39D-1 BULD39DT4

## High Voltage Fast-Switching NPN Power Transistor

### General features

- NPN transistor
- High voltage capability
- Minimum lot-to-lot spread for reliable operation
- Very high switching speed
- High ruggedness
- Surface-mounting DPAK (TO-252) power package in tape & reel (suffix "T4")
- Through-hole IPAK (TO-251) power package in tube (suffix "-1")
- In compliance with the 2002/93/EC European Directive



### Description

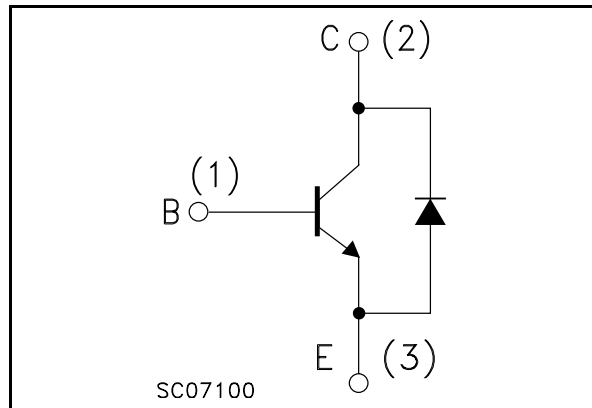
The device is manufactured using high voltage Multi-epitaxial Planar technology to enhance switching speeds while maintaining wide RBSOA.

The BUL series is designed for use in electronics transformer for halogen lamps.

### Applications

- Electronics transformer for halogen lamps
- Switch mode power supplies

### Internal schematic diagram



### Order codes

Part Number	Marking	Package	Packing
BULD39D-1		IPAK	Tube
BULD39DT4		DPAK	Tape & reel

## Contents

<b>1</b>	<b>Electrical ratings</b> .....	<b>3</b>
<b>2</b>	<b>Electrical characteristics</b> .....	<b>4</b>
2.1	Electrical characteristics (curves) .....	5
2.2	Test circuits .....	7
<b>3</b>	<b>Package mechanical data</b> .....	<b>8</b>
<b>4</b>	<b>Revision history</b> .....	<b>10</b>

# 1 Electrical ratings

**Table 1. Absolute maximum rating**

Symbol	Parameter	Value	Unit
$V_{CES}$	Collector-emitter voltage ( $V_{BE} = 0$ )	850	V
$V_{CEO}$	Collector-emitter voltage ( $I_B = 0$ )	450	V
$V_{EBO}$	Emitter-base voltage ( $I_C = 0$ )	9	V
$I_C$	Collector current	4	A
$I_{CM}$	Collector peak current ( $t_P < 5ms$ )	8	A
$I_B$	Base current	2	A
$I_{BM}$	Base peak current ( $t_P < 5ms$ )	4	A
$P_{tot}$	Total dissipation at $T_C = 25^\circ C$	35	W
$T_{stg}$	Storage temperature	-65 to 150	$^\circ C$
$T_J$	Max. operating junction temperature	150	$^\circ C$

**Table 2. Thermal data**

Symbol	Parameter	Value	Unit
$R_{thj-case}$	Thermal resistance junction-case max	3.57	$^\circ C/W$
$R_{thj-amb}$	Thermal resistance junction-amb max	62.5	$^\circ C/W$

## 2 Electrical characteristics

( $T_{case} = 25^{\circ}C$  unless otherwise specified)

**Table 3. Electrical characteristics**

Symbol	Parameter	Test Conditions	Min.	Typ.	Max.	Unit
$I_{CES}$	Collector cut-off current ( $V_{BE} = 0$ )	$V_{CE} = 850V$			100	$\mu A$
		$V_{CE} = 850V \quad T_j = 125^{\circ}C$			500	$\mu A$
$I_{EBO}$	Emitter cut-off current ( $I_C = 0$ )	$V_{EB} = 9V$			100	$\mu A$
$V_{CEO(sus)}$	Collector-emitter sustaining voltage ( $I_B = 0$ )	$I_C = 100mA \quad L = 25 \text{ mH}$	450			V
$V_{CE(sat)}^{(1)}$	Collector-emitter saturation voltage	$I_C = 1A \quad I_B = 0.2A$		0.13	0.5	V
		$I_C = 2.5A \quad I_B = 0.5A$			1.1	V
$V_{BE(sat)}^{(1)}$	Base-emitter saturation voltage	$I_C = 1A \quad I_B = 0.2A$			1.1	V
		$I_C = 2.5A \quad I_B = 0.5A$			1.3	V
$h_{FE}^{(1)}$	DC current gain	$I_C = 10mA \quad V_{CE} = 5$	10			
		$I_C = 5A \quad V_{CE} = 10V$	4			
$V_{CEW}$	Maximum collector emitter voltage without snubber	$I_C = 6A \quad R_{BB} = 0\Omega$ $V_{BB} = -2.5V \quad L = 50\mu H$ $t_p \geq 10\mu s$	450			V
$t_s$	Inductive load Storage time	$I_C = 2.5A \quad I_{B(on)} = 0.5A$		0.7	1.5	$\mu s$
		$V_{BE(off)} = -5V \quad R_{BB} = 0\Omega$				
$t_f$	Fall time	$V_{CL} = 300V \quad L = 1mH$		50	100	ns
$V_f$	Diode forward voltage	$I_C = 2A$			1.5	V

Note (1) Pulsed duration = 300  $\mu s$ , duty cycle  $\leq 1.5\%$

## 2.1 Electrical characteristics (curves)

Figure 1. Safe operating area

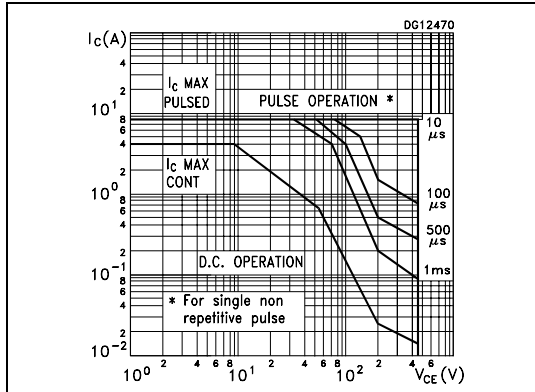


Figure 2. Derating curve

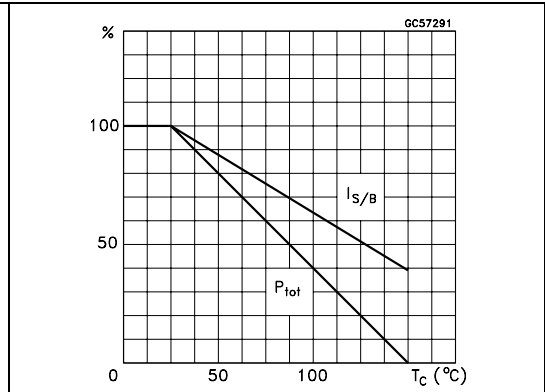
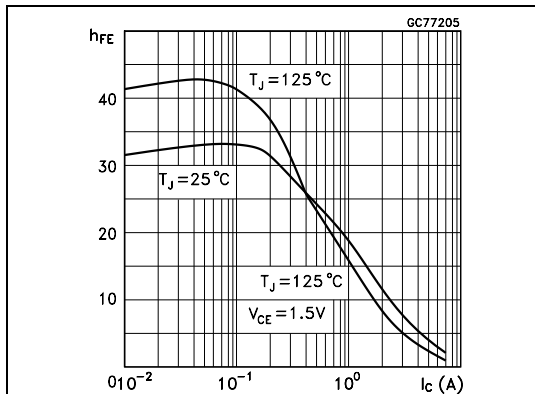


Figure 3. DC current gain



DC current gain

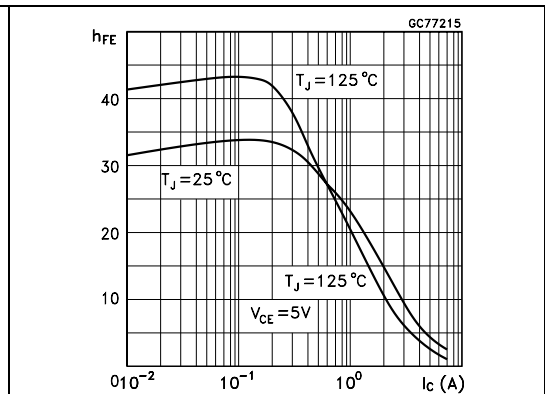


Figure 4. Collector-emitter saturation voltage

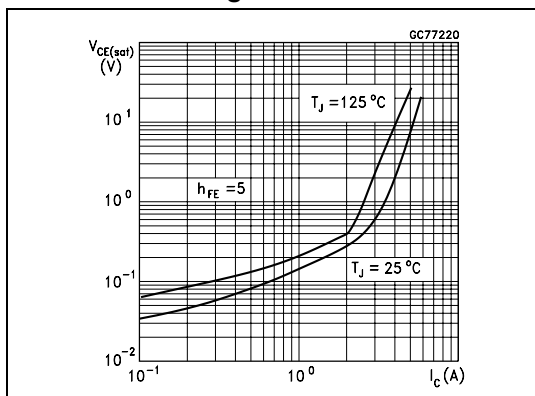


Figure 5. Base-emitter saturation voltage

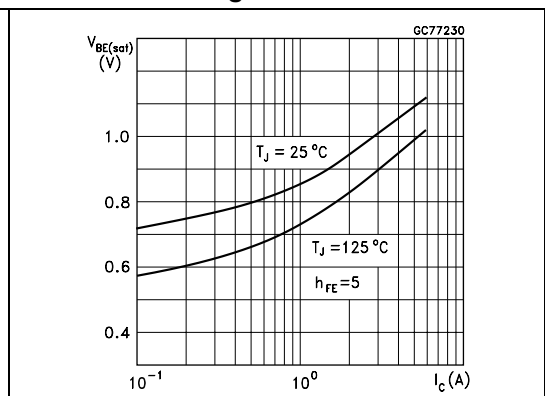


Figure 6. Inductive load fall time

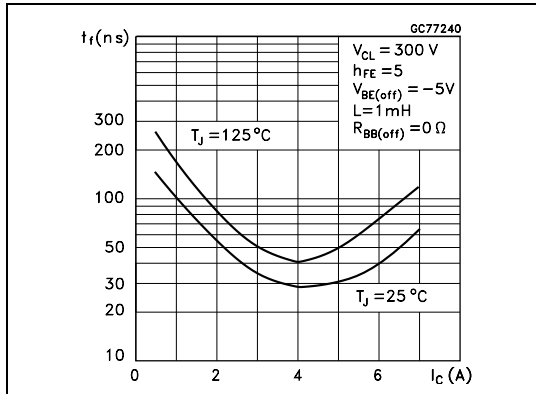


Figure 7. Inductive load storage time

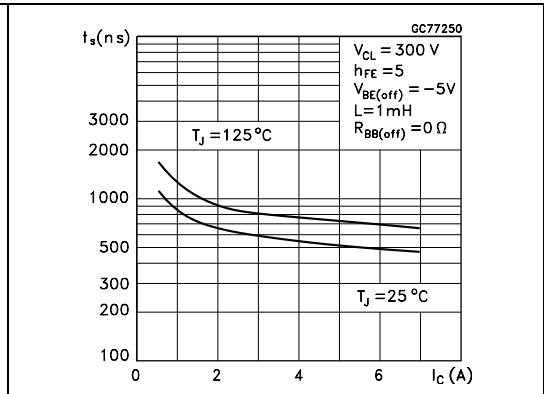
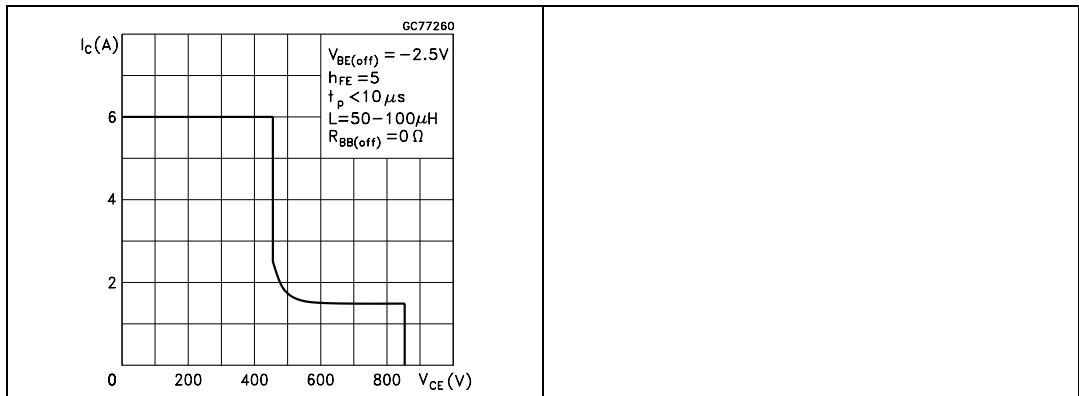
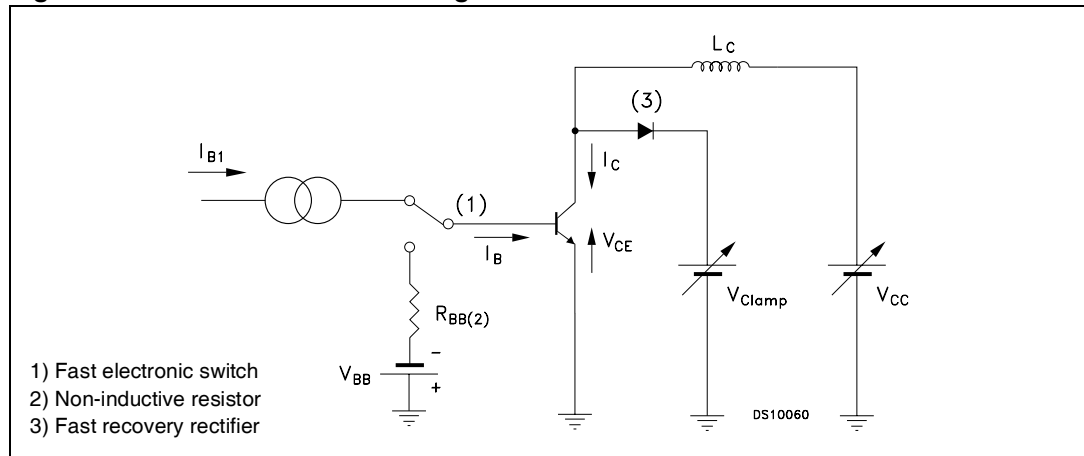


Figure 8. Reverse biased SOA



## 2.2 Test circuits

Figure 9. Inductive load switching test circuit



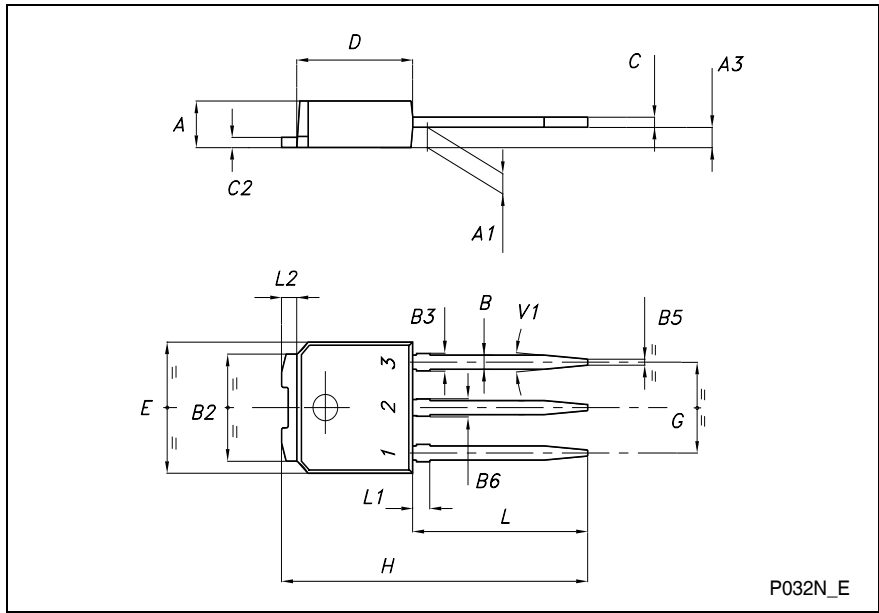
### 3 Package mechanical data

In order to meet environmental requirements, ST offers these devices in ECOPACK® packages. These packages have a Lead-free second level interconnect. The category of second level interconnect is marked on the package and on the inner box label, in compliance with JEDEC Standard JESD97. The maximum ratings related to soldering conditions are also marked on the inner box label. ECOPACK is an ST trademark. ECOPACK specifications are available at: [www.st.com](http://www.st.com)



TO-251 (IPAK) MECHANICAL DATA

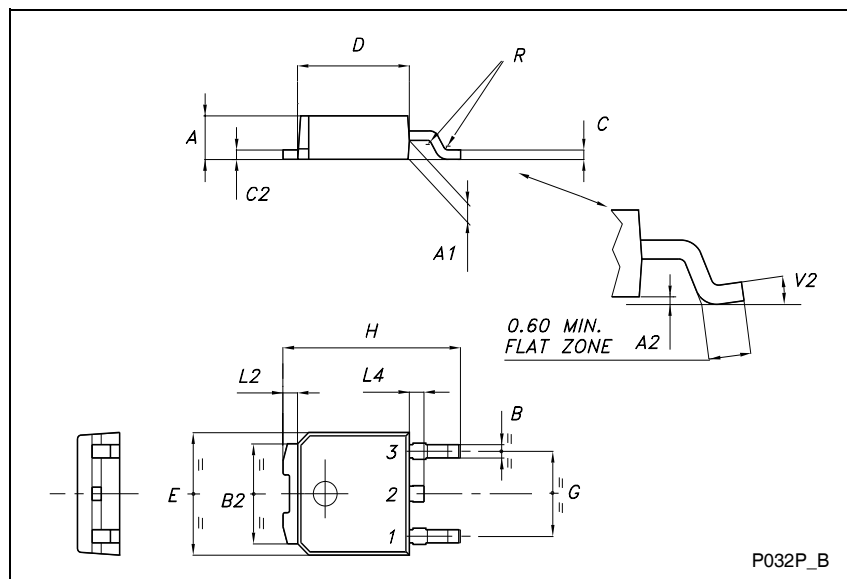
DIM.	mm			inch		
	MIN.	TYP.	MAX.	MIN.	TYP.	MAX.
A	2.20		2.40	0.087		0.094
A1	0.90		1.10	0.035		0.043
A3	0.70		1.30	0.028		0.051
B	0.64		0.90	0.025		0.035
B2	5.20		5.40	0.204		0.213
B3			0.85			0.033
B5		0.30			0.012	
B6			0.95			0.037
C	0.45		0.60	0.018		0.024
C2	0.48		0.60	0.019		0.024
D	6.00		6.20	0.237		0.244
E	6.40		6.60	0.252		0.260
G	4.40		4.60	0.173		0.181
H	15.90		16.30	0.626		0.642
L	9.00		9.40	0.354		0.370
L1	0.80		1.20	0.031		0.047
L2		0.80	1.00		0.031	0.039
V1		10°			10°	



P032N\_E

TO-252 (DPAK) MECHANICAL DATA

DIM.	mm			inch		
	MIN.	TYP.	MAX.	MIN.	TYP.	MAX.
A	2.20		2.40	0.087		0.094
A1	0.90		1.10	0.035		0.043
A2	0.03		0.23	0.001		0.009
B	0.64		0.90	0.025		0.035
B2	5.20		5.40	0.204		0.213
C	0.45		0.60	0.018		0.024
C2	0.48		0.60	0.019		0.024
D	6.00		6.20	0.236		0.244
E	6.40		6.60	0.252		0.260
G	4.40		4.60	0.173		0.181
H	9.35		10.10	0.368		0.398
L2		0.8			0.031	
L4	0.60		1.00	0.024		0.039
V2	0°		8°	0°		0°



## 4 Revision history

Table 4. Revision history

Date	Revision	Changes
09-May-2006	1	Initial release.

**Please Read Carefully:**

Information in this document is provided solely in connection with ST products. STMicroelectronics NV and its subsidiaries ("ST") reserve the right to make changes, corrections, modifications or improvements, to this document, and the products and services described herein at any time, without notice.

All ST products are sold pursuant to ST's terms and conditions of sale.

Purchasers are solely responsible for the choice, selection and use of the ST products and services described herein, and ST assumes no liability whatsoever relating to the choice, selection or use of the ST products and services described herein.

No license, express or implied, by estoppel or otherwise, to any intellectual property rights is granted under this document. If any part of this document refers to any third party products or services it shall not be deemed a license grant by ST for the use of such third party products or services, or any intellectual property contained therein or considered as a warranty covering the use in any manner whatsoever of such third party products or services or any intellectual property contained therein.

**UNLESS OTHERWISE SET FORTH IN ST'S TERMS AND CONDITIONS OF SALE ST DISCLAIMS ANY EXPRESS OR IMPLIED WARRANTY WITH RESPECT TO THE USE AND/OR SALE OF ST PRODUCTS INCLUDING WITHOUT LIMITATION IMPLIED WARRANTIES OF MERCHANTABILITY, FITNESS FOR A PARTICULAR PURPOSE (AND THEIR EQUIVALENTS UNDER THE LAWS OF ANY JURISDICTION), OR INFRINGEMENT OF ANY PATENT, COPYRIGHT OR OTHER INTELLECTUAL PROPERTY RIGHT.**

**UNLESS EXPRESSLY APPROVED IN WRITING BY AN AUTHORIZED REPRESENTATIVE OF ST, ST PRODUCTS ARE NOT DESIGNED, AUTHORIZED OR WARRANTED FOR USE IN MILITARY, AIR CRAFT, SPACE, LIFE SAVING, OR LIFE SUSTAINING APPLICATIONS, NOR IN PRODUCTS OR SYSTEMS, WHERE FAILURE OR MALFUNCTION MAY RESULT IN PERSONAL INJURY, DEATH, OR SEVERE PROPERTY OR ENVIRONMENTAL DAMAGE.**

Resale of ST products with provisions different from the statements and/or technical features set forth in this document shall immediately void any warranty granted by ST for the ST product or service described herein and shall not create or extend in any manner whatsoever, any liability of ST.

ST and the ST logo are trademarks or registered trademarks of ST in various countries.

Information in this document supersedes and replaces all information previously supplied.

The ST logo is a registered trademark of STMicroelectronics. All other names are the property of their respective owners.

© 2006 STMicroelectronics - All rights reserved

STMicroelectronics group of companies

Australia - Belgium - Brazil - Canada - China - Czech Republic - Finland - France - Germany - Hong Kong - India - Israel - Italy - Japan - Malaysia - Malta - Morocco - Singapore - Spain - Sweden - Switzerland - United Kingdom - United States of America

[www.st.com](http://www.st.com)