

105°C SNAP-IN ALUMINUM ELECTROLYTIC

查询"SIT10000M200" 供应商

SIT SERIES

SUBMINIATURE

(SIT: High Temperature Snap-in)

The SIT Snap-in series subminiature aluminum electrolytic capacitors are especially suitable for applications requiring high capacitance, low cost, and very small size. In fact, you'll find these capacitors in some of the most demanding applications, from precision medical electronics and automobiles to the newest personal computers and disk drives.

They operate over a broad temperature range and are available in either blister pack or bulk.

RATINGS

Capacitance Range: 100 μ f to 10,000 μ f

Tolerance: $\pm 20\%$

Voltage Range: 50V to 250V

PERFORMANCE SPECIFICATIONS

Operating Temperature Range:

-40°C to +105°C (-40°F to +221°F)

Leakage Current: $I \leq 3 \times \sqrt{CV}$ (measured after 5 minutes @ rated voltage and +20°C (+68°F))

I = Leakage Current (μ A)

C = Nominal Capacitance (μ f)

V = Rated Voltage (V)

Capacitance Tolerance (M): $\pm 20\%$
measured at +20°C (+68°F), 120Hz

Surge Voltage:

DC Rated Voltage	50	200	250
Surge Voltage	63	250	300

Load Life: 2000 ± 12 Hrs @ Max rated temperature and rated voltage

Leakage Current: Within values specified above

Dissipation Factor: Within $\pm 150\%$ of specified value

Shelf Life: 1000 ± 6 Hrs @ Max rated temperature, no voltage applied

Leakage Current: Within $\pm 200\%$ of specified value

Dissipation Factor: Within $\pm 150\%$ of specified value

Capacitance Change Max: Within $\pm 20\%$ of initial value

MECHANICAL SPECIFICATIONS

Marking:

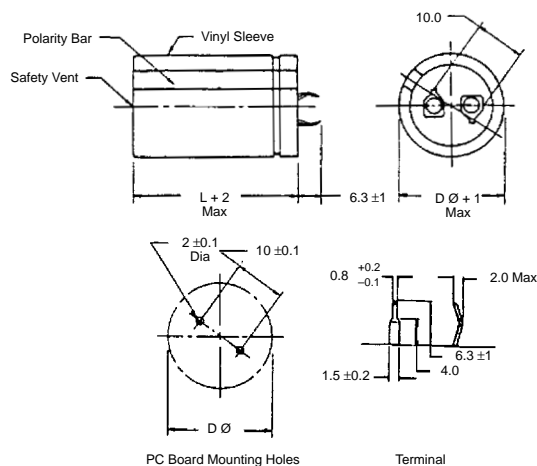
Consists of series type, nominal capacitance, rated voltage, temperature range, anode and/or cathode identification, vendor identification.

Recommended Cleaning Solvents:

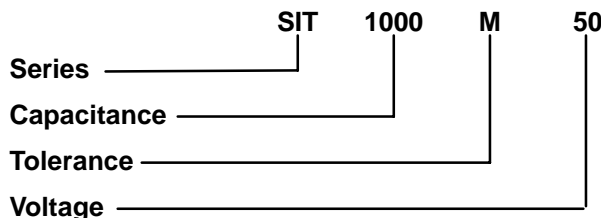
Chlorofluorocarbon solvents used to remove flux from printed circuit boards can penetrate the capacitor end-seals, cause corrosion when voltage is applied and capacitor failure. Avoid halogenated solvents and consider these alternatives: Clean the capacitors with water/detergent or cleaning solvents free of halogen groups such as alcohol or terpene solution, or mount the capacitor after board cleaning.

CASE SIZE AND DIMENSIONS:

SIT SERIES



ORDERING INFORMATION



105°C SNAP-IN ALUMINUM ELECTROLYTIC

[查询"SIT 10000M200" 供应商](#)

SIT SERIES

SIT Series Dimensions: Diameter (D Ø) x Length (L): mm

Cap (µf) \ WV	50	200	250
100		22 x 20	22 x 30
150		22 x 30	22 x 40
220		22 x 40	22 x 50
330		22 x 50	22 x 40
470		22 x 40	30 x 35
560		22 x 45	25 x 50
680		22 x 45	30 x 45
820		25 x 50	30 x 50
1000	22 x 25	30 x 45	35 x 45
1500		35 x 50	
2200	22 x 40		
3300	22 x 50		
4700	22 x 45		
6800	30 x 50		
8200	30 x 45		
10000	30 x 50		

* These dimensions are for reference only, please consult the factory for actual size.