



查询"AD580JCSA"供应 **High Precision +2.5 Volt Reference**

T-58-07

AD580

General Description

The AD580 is a high performance three-terminal voltage reference which provides a stable +2.5V source for 8, 10, and 12-bit data converters and analog functions. A temperature compensated internal band-gap operates from +4.5V to +30V and consumes only 1.5mA.

The reference can be connected directly to a number of CMOS A-to-D and D-to-A converters and is especially convenient in +5V powered systems. An initial untrimmed accuracy of 0.4% and temperature stability of 10ppm/°C allow adjustment-free designs in many precision applications.

Available packages include TO-52 metal cans for commercial and military temperature grades, as well as 8 lead small outline for commercial grade devices.

Applications

- CMOS Data Conversion
- Digital Panel Meters
- Portable Instrumentation
- Remote Measurement Systems
- Logic Powered Analog Systems

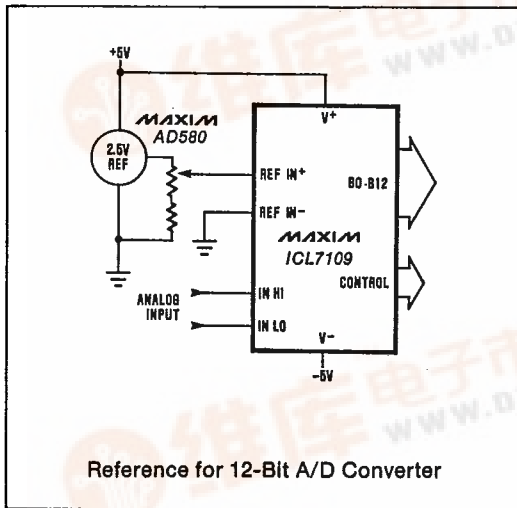
Features

- ◆ 2.500V ±0.4% Accuracy (AD580L/M)
- ◆ 10ppm/°C Temperature Stability (AD580M)
- ◆ No Adjustments
- ◆ 250µV Long Term Stability
- ◆ 1.5mA Quiescent Current
- ◆ +4.5V to +30V Operation

Ordering Information

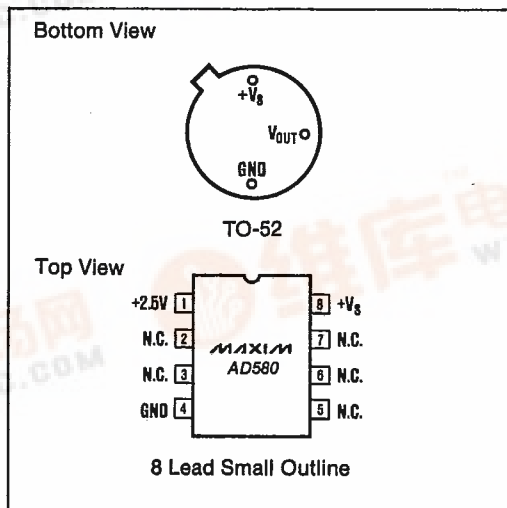
PART	TEMP. RANGE	PACKAGE	TOLERANCE
AD580JH	0°C to +70°C	TO-52 Can	±75mV
AD580KH	0°C to +70°C	TO-52 Can	±25mV
AD580LH	0°C to +70°C	TO-52 Can	±10mV
AD580MH	0°C to +70°C	TO-52 Can	±10mV
AD580JCSA	0°C to +70°C	8 Lead S.O.	±75mV
AD580KCSA	0°C to +70°C	8 Lead S.O.	±25mV
AD580LCSA	0°C to +70°C	8 Lead S.O.	±10mV
AD580MCSA	0°C to +70°C	8 Lead S.O.	±10mV
AD580SH	-55°C to +125°C	TO-52 Can	±25mV
AD580TH	-55°C to +125°C	TO-52 Can	±10mV
AD580UH	-55°C to +125°C	TO-52 Can	±10mV

Typical Application



Pin Configurations

3



MAXIM is a registered trademark of Maxim Integrated Products

Maxim Integrated Products 3-11



AD580

High Precision ± 2.5 Volt Reference

ABSOLUTE MAXIMUM RATINGS

Input Voltage V_{IN} to GND	-0.3V, +40V	Lead Temperature (Soldering 10sec)	+300°C
Power Dissipation		Junction Temperature (T_j)	-55°C to +150°C
TO-52 Metal Can (Derate 2.8mW/°C above +25°C)	350mW	Thermal Resistance, Junction to Ambient	
Small Outline (Derate 5.3mW/°C above +75°C)	400mW	TO-52 Metal Can	360°C/W
Output Short-Circuit Duration (Note 1)	Indefinite	Small Outline Package	170°C/W
Operating Temperature Range		Junction to Case	
Commercial (J, K, L, M)	0°C to +70°C	TO-52 Metal Can	100°C/W
Military (S, T, U)	-55°C to +125°C	Small Outline Package	55°C/W
Storage Temperature Range	-65°C to +175°C		

Stresses above those listed under "Absolute Maximum Ratings" may cause permanent damage to the device. These are stress ratings only and functional operation of the device at these or any other conditions above those indicated in the operational sections of the specifications is not implied. Exposure to absolute maximum rating conditions for extended periods may affect device reliability.

ELECTRICAL CHARACTERISTICS

($V_{IN} = +15V$, $T_A = +25^\circ C$, unless otherwise noted)

PARAMETER	SYMBOL	CONDITIONS	MIN.	TYP.	MAX.	UNITS
Output Voltage Tolerance		$I_L = 0mA$; AD580J/S AD580K/T AD580L/M/U			± 75 ± 25 ± 10	mV
Output Voltage Change with Temperature, (Temperature Coefficient)		$T_A = 0^\circ C$ to $+70^\circ C$; AD580J AD580K AD580L AD580M			15 (85) 7 (40) 4.3 (25) 1.75 (10)	$\pm mV$ (ppm/°C)
		$T_A = -55^\circ C$ to $+125^\circ C$; AD580S AD580T AD580U			25 (55) 11 (25) 4.5 (10)	
Line Regulation		$I_L = 0mA$, $+4.5V < V_{IN} < +7V$; AD580J/S AD580K AD580L/M/T/U		0.3 0.3	3 2 1	mV
		$I_L = 0mA$, $+7V < V_{IN} < +30V$; AD580J/S AD580K AD580L/M/T/U		1.5 1.5	6 4 2	
Load Regulation		$I_L = 0mA$ to 10mA			10	mV
Quiescent Supply Current	I_Q	$I_L = 0mA$		1.0	1.5	mA
Noise	e_{NP-P}	0.1Hz to 10Hz		60		μV_{P-P}
Stability Long Term Per Month				250		μV
				25		

Note 1: Absolute Maximum power dissipation must not be exceeded.

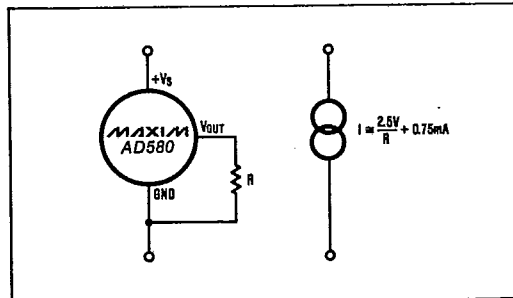


Figure 1. Two-Component Precision Current Limiter

Maxim cannot assume responsibility for use of any circuitry other than circuitry entirely embodied in a Maxim product. No circuit patent licenses are implied. Maxim reserves the right to change the circuitry and specifications without notice at any time.