

# GERMANIUM POWER TRANSISTORS

查询"2N1218"供应商			3 AMP GERMANIUM PNP (Cont.)								
Type Number	Case Type	$V_{CE(max)}$ V	$V_{EBO}$ V	$h_{FE}$ @ $I_C/V_{CE}$ (Min-Max @A/V)	$V_{CE(max)}$ @ $I_C/I_B$ (V@A/A)	$V_{BE}$ @ $I_C/V_{CE}$ (V@A/V)	$I_{CEV}$ @ $V_{CE}$ (mA@V)	$P_D$ @ $T_C = 25^\circ C$ (watts)	$\theta_{JC}$ ( $^\circ C/W$ )	$T_{J(max)}$ ( $^\circ C$ )	$f_T$ (KHz)
2N2668	MT-27	30	20	50-150@.5/.5	.25@.5/.025	.6@.5/.5	.6@50	15	5.0	100	300
2N2669	MT-27	40	20	50-150@.5/.5	.25@.5/.025	.6@.5/.5	.6@70	15	5.0	100	300
2N2670	MT-27	50	20	50-150@.5/.5	.25@.5/.025	.6@.5/.5	.6@90	15	5.0	100	300
2N1042	MT-28	30	20	20-60@3/1	.75@3/.3	1.5@3/1	.65@40	20	3.75	100	250
2N1043	MT-28	40	20	20-60@3/1	.75@3/.3	1.5@3/1	.65@60	20	3.75	100	250
2N1044	MT-28	50	20	20-60@3/1	.75@3/.3	1.5@3/1	.65@80	20	3.75	100	250
2N1045	MT-28	60	20	20-60@3/1	.75@3/.3	1.5@3/1	.65@100	20	3.75	100	250
2N2556	MT-28	30	20	20-60@1/.5	.25@1/.1	1@1/.5	.65@40	20	3.75	100	225
2N2557	MT-28	40	20	20-60@1/.5	.25@1/.1	1@1/.5	.65@60	20	3.75	100	225
2N2558	MT-28	50	20	20-60@1/.5	.25@1/.1	1@1/.5	.65@80	20	3.75	100	225
2N2559	MT-28	60	20	20-60@1/.5	.25@1/.1	1@1/.5	.65@100	20	3.75	100	225
2N2282	TO-37	30	1.5	30-75@.5/1	.4@1/.05	.7@1/.05	.1@20	5.0	15	110	2500
2N2283	TO-37	60	1.5	30-75@.5/1	.4@1/.05	.7@1/.05	.1@40	5.0	15	110	2500
2N2284	TO-37	100	1.5	30-75@.5/1	.4@1/.05	.7@1/.05	.1@60	5.0	15	110	2500
2N3212	TO-37	80	2.0	30-90@3/2	.5@5/.5	1.4@5/.5	1@100	12.1	7.0	110	300
2N3213	TO-37	60	2.0	30-90@3/2	.5@5/.5	1.4@5/.5	1@80	12.1	7.0	110	300
2N3214	TO-37	40	2.0	30-90@3/2	.5@5/.5	1.4@5/.5	1@60	12.1	7.0	110	300
2N3215	TO-37	30	2.0	25-100@3/2	.5@5/.5	1.4@5/.5	1@40	12.1	7.0	110	300
2N1183	TO-8	20	20	20-60@.4/2	.3@.4/.04	1.5@.4/2	.25@45	7.5	10	100	350
2N1183A	TO-8	30	20	20-60@.4/2	.5@.4/.04	1.5@.4/2	.25@60	7.5	10	100	300
2N1183B	TO-8	40	20	20-60@.4/2	.5@.4/.04	1.5@.4/2	.25@80	7.5	10	100	500
2N1184	TO-8	20	20	40-120@.4/2	.3@.4/.04	1.5@.4/2	.25@45	7.5	10	100	350
2N1184A	TO-8	30	20	40-120@.4/2	.5@.4/.04	1.5@.4/2	.25@60	7.5	10	100	500
2N1184B	TO-8	40	20	40-120@.4/2	.5@.4/.04	1.5@.4/2	.25@80	7.5	10	100	500
2N1755	MS7	25	30	30-75@.5/2	.7@3/.3	1@3/.3	3@40	28	2.5	95	
2N1756	MS7	40	30	30-75@.5/2	.7@3/.3	1@3/.3	3@60	28	2.5	95	
2N1757	MS7	55	30	30-75@.5/2	.7@3/.3	1@3/.3	3@80	28	2.5	95	
2N1758	MS7	65	30	30-75@.5/2	.7@3/.3	1@3/.3	3@100	28	2.5	95	
2N1759	MS7	25	30	60-150@.5/2	.5@3/.3	.8@3/.3	3@40	28	2.5	95	
2N1760	MS7	40	30	60-150@.5/2	.5@3/.3	.8@3/.3	3@60	28	2.5	95	
2N1761	MS7	55	30	60-150@.5/2	.5@3/.3	.8@3/.3	3@80	28	2.5	95	
2N1762	MS7	25	30	60-150@.5/2	.5@3/.3	.8@3/.3	3@40	28	2.5	95	
2N2067	MS7	25	20	20-100@.5/14	.7@1/.1	.7@.5/14	3@40	28	2.5	95	
2N2068	MS7	55	20	20-100@.5/14	.7@1/.1	.7@.5/14	3@80	28	2.5	95	

3 AMP GERMANIUM PNP											
Type Number	Case Type	NPN Complement	$V_{CE(max)}$ V	$V_{EBO}$ V	$h_{FE}$ @ $I_C/V_{CE}$ (Min-Max @A/V)	$V_{CE(max)}$ @ $I_C/I_B$ (V@A/A)	$V_{BE}$ @ $I_C/V_{CE}$ (V@A/V)	$I_{CEV}$ @ $V_{CE}$ (mA@V)	$P_D$ @ $T_C = 25^\circ C$ (watts)	$\theta_{JC}$ ( $^\circ C/W$ )	$T_{J(max)}$ ( $^\circ C$ )
2N156	TO-13		30( $V_{CES}$ )	15	>25@.5/2	.75@1/.15	.7@.5/2	1@30	25	3.0	100
2N158	TO-13		60( $V_{CES}$ )	30	>21@.5/2	.75@1/.1	.85@.5/2	1@60	25	3.0	100
2N158A	TO-13		60	30	>21@.5/2	.75@1/.15	.85@.5/2	1@80	25	3.0	100
2N1078	TO-13	2N1332	60( $V_{CES}$ )	15	>40@.5/2	1@1/.1	1.1@.5/2	1.5@60	20	3.0	85
2N1328	TO-13	2N1329	30( $V_{CES}$ )	15	>40@.5/2	1@1/.1	.9@.5/2	1.5@35	20	3.0	85
2N1331	TO-13	2N1334	80( $V_{CES}$ )	15	>40@.5/2	1@1/.1	1.2@.5/2	1.5@80	20	3.0	85
2N1333	TO-13		100( $V_{CES}$ )	15	>40@.5/2	1@1/.1	1.2@.5/2	1.5@100	20	3.0	85

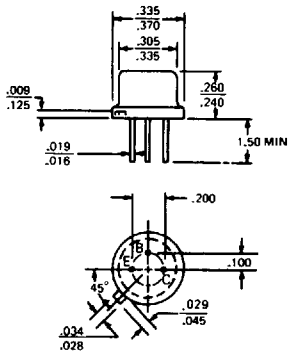
3 AMP GERMANIUM NPN											
Type Number	Case Type	PNP Complement	$V_{CE(max)}$ V	$V_{EBO}$ V	$h_{FE}$ @ $I_C/V_{CE}$ (Min-Max @A/V)	$V_{CE(max)}$ @ $I_C/I_B$ (V@A/A)	$V_{BE}$ @ $I_C/V_{CE}$ (V@A/V)	$I_{CEV}$ @ $V_{CE}$ (mA@V)	$P_D$ @ $T_C = 25^\circ C$ (watts)	$\theta_{JC}$ ( $^\circ C/W$ )	$T_{J(max)}$ ( $^\circ C$ )
2N1329	TO-13	2N1328	30( $V_{CES}$ )	15	>30@.5/2	1@1/.135	1@.5/2	1@35	25	3.0	100
2N1330	TO-13		45( $V_{CES}$ )	15	>30@.5/2	1@1/.135	1@.5/2	2@60	25	3.0	100
2N1332	TO-13	2N1078	60( $V_{CES}$ )	15	>30@.5/2	1@1/.135	1@.5/2	3@80	25	3.0	100
2N1334	TO-13	2N1331	80( $V_{CES}$ )	15	>30@.5/2	1@1/.135	1@.5/2	4@100	25	3.0	100
2N1321	TO-10	2N1320	30( $V_{CES}$ )	15	>30@.5/2	1@1/.135	1@.5/2	1@35	25	3.0	100
2N1323	TO-10		45( $V_{CES}$ )	15	>30@.5/2	1@1/.135	1@.5/2	1@60	25	3.0	100
2N1325	TO-10	2N1322	60( $V_{CES}$ )	15	>30@.5/2	1@1/.135	1@.5/2	1@80	25	3.0	100
2N1327	TO-10	2N1324	80( $V_{CES}$ )	15	>30@.5/2	1@1/.135	1@.5/2	1@100	25	3.0	100
2N1218	TO-3		20	15	30-120@1/1.5	1@1/.05	.5-1.5@1/1.5	1@30	20	2.75	100
2N1292	TO-3	2N1291	30( $V_{CES}$ )	15	>30@.5/2	1@1/.135	1@.5/2	1@35	25	3.0	100
2N1294	TO-3		45( $V_{CES}$ )	15	>30@.5/2	1@1/.135	1@.5/2	2@60	25	3.0	100
2N1296	TO-3	2N1293	60( $V_{CES}$ )	15	>30@.5/2	1@1/.135	1@.5/2	3@80	25	3.0	100
2N1298	TO-3	2N1295	80( $V_{CES}$ )	15	>30@.5/2	1@1/.135	1@.5/2	4@100	25	3.0	100

# GERMANIUM POWER TRANSISTORS

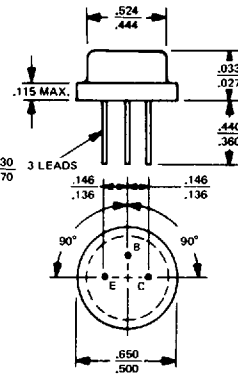
查询"2N1218"供应商

## CASE OUTLINE DRAWINGS & DIMENSIONS

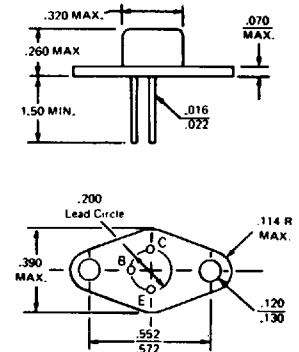
T0-5



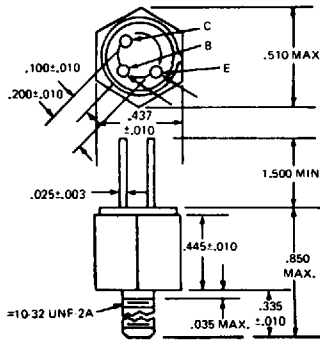
T0-8



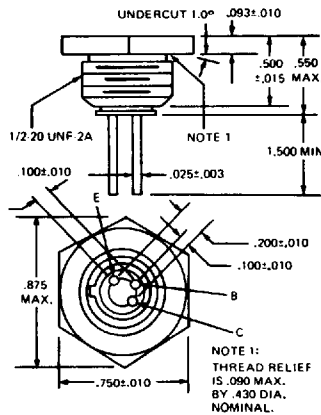
T0-37



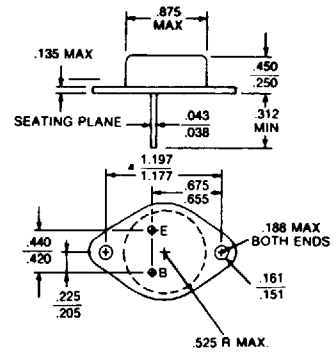
MT-27



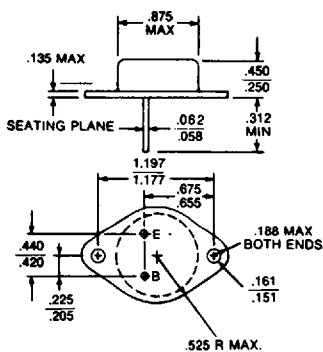
MT-28



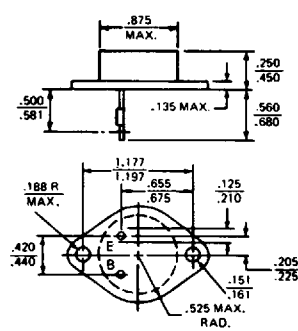
T0-3



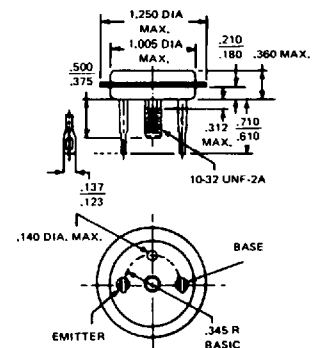
MODIFIED T0-3  
(60 mil pins)



T0-41



T0-36

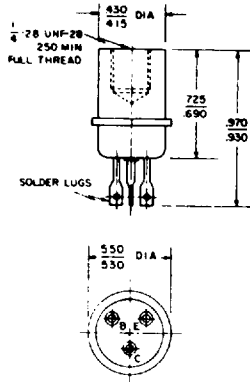


# GERMANIUM POWER TRANSISTORS

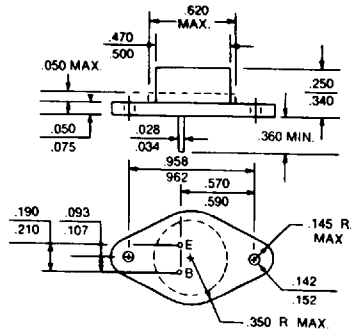
查询"2N1218"供应商

## CASE OUTLINE DRAWINGS & DIMENSIONS

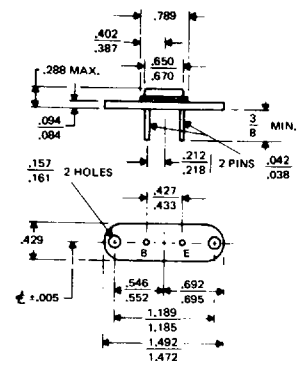
TO-13



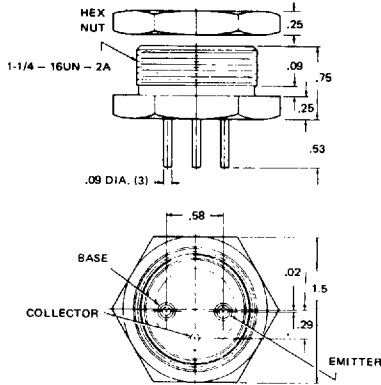
TO-66



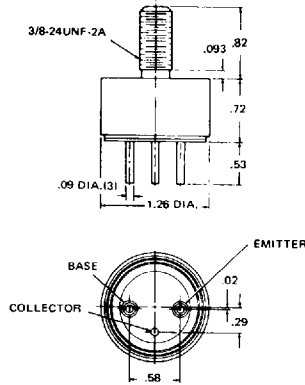
MS-7



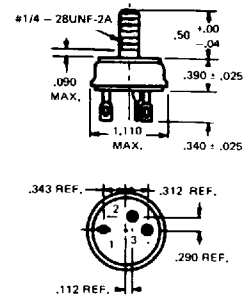
MT-22



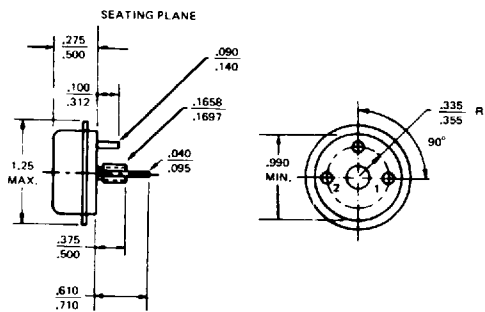
MT-23



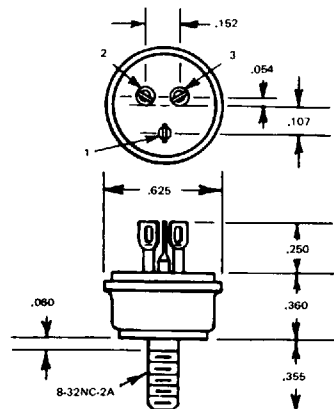
MT-7



TO-68



MT-36

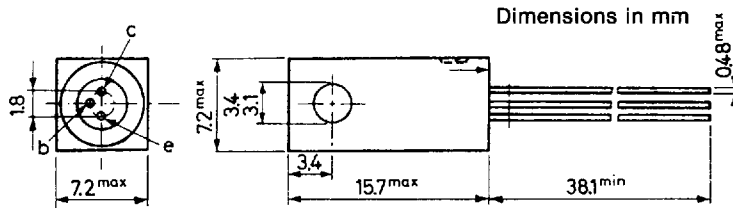


# GERMANIUM POWER TRANSISTORS

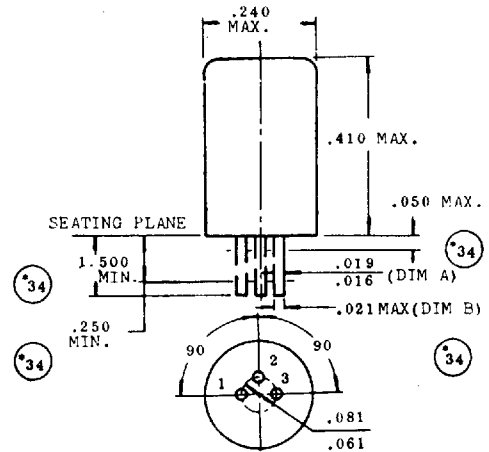
查询"2N1218"供应商

## CASE OUTLINE DRAWINGS & DIMENSIONS

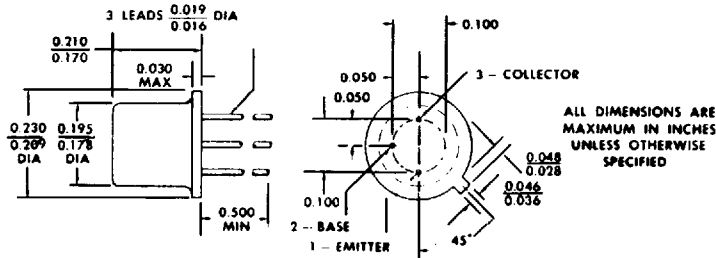
NS257



TO-1



TO-18



THE COLLECTOR IS ELECTRICAL CONTACT WITH THE CASE.

ALL JEDEC TO-18 DIMENSIONS AND NOTES ARE APPLICABLE.



**GERMANIUM POWER DEVICES CORP.**

300 Brickstone Square · York Street · P.O. Box 3065  
Shawsheen Village Station · Andover, Massachusetts 01810  
Telephone (508) 475-5982 · FAX (508) 470-1512

26

Printed in U.S.A.

■ 3947375 0000689 52T ■

54134