

**Models 72910**

**IEC Insulated BNC (M) to 2 male banana 4 mm plugs**



**Features**

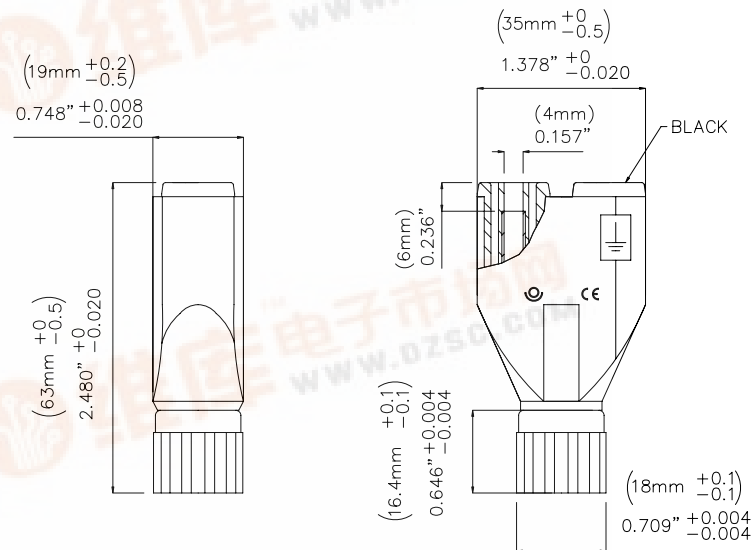
- IEC Insulated BNC (M) to 2 male banana 4 mm plugs
- Adapter converts Double banana Jack Test Instruments to BNC configuration for added shielding.
- Rating: 500V Cat I, 150V Cat II

**Materials**

- Connector body: Nickel plated Brass
- Center Contact: Gold Plated Brass
- Dielectric: White PTFE
- Insulation: Polyamide
- Plug spring: Nickel plated bronze Beryllium copper.
- Plug Body: Nickel plated Brass
- Plug Insulation: Polysulfone

**Ordering Information**

Model: 72910



**Specifications**

Max Current	3A
Max Voltage	500V CAT I, 150V CATII

USA: Sales: 800-490-2361 Technical Support: 800-241-2060 Fax: 888-403-3360

Europe: 31-(0) 40 2675 150 International: 425-446-5500

e-mail: [technicalsupport@pomonatest.com](mailto:technicalsupport@pomonatest.com)

Where to Buy: [www.pomonaelectronics.com](http://www.pomonaelectronics.com)

All dimensions are in inches. Tolerances (except noted): .xx = ±.02" (.51 mm), .xxx = ±.005" (.127 mm). All specifications are to the latest revisions. Specifications are subject to change without notice. Registered trademarks are the property of their respective companies.

