

# MM1Z2B4~MM1ZB75

[查询"MM1ZB43"供应商](#)

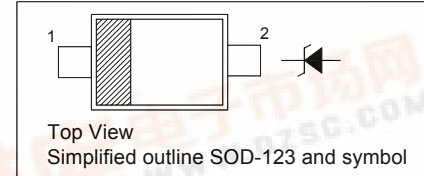
## SILICON PLANAR ZENER DIODES

### Features

- Power Dissipation: 500 mW
- Zener Voltage Tolerance:  $\pm 2\%$

### PINNING

| PIN | DESCRIPTION |
|-----|-------------|
| 1   | Cathode     |
| 2   | Anode       |



### Absolute Maximum Ratings ( $T_a = 25^\circ\text{C}$ )

| Parameter                 | Symbol           | Value         | Unit             |
|---------------------------|------------------|---------------|------------------|
| Power Dissipation         | $P_{\text{tot}}$ | 500           | mW               |
| Junction Temperature      | $T_J$            | 150           | $^\circ\text{C}$ |
| Storage Temperature Range | $T_{\text{Stg}}$ | - 55 to + 150 | $^\circ\text{C}$ |

### Characteristics at $T_a = 25^\circ\text{C}$

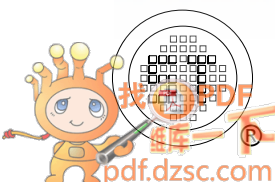
| Parameter                                  | Symbol           | Max. | Unit               |
|--|------------------|------|--------------------|
| Thermal Resistance Junction to Ambient Air | $R_{\text{thA}}$ | 340  | $^\circ\text{C/W}$ |
| Forward Voltage<br>at $I_F = 10\text{ mA}$ | $V_F$            | 0.9  | V                  |

## SEMTECH ELECTRONICS LTD.

(Subsidiary of Sino-Tech International Holdings Limited, a company listed on the Hong Kong Stock Exchange, Stock Code: 724)



Dated : 31/10/2007



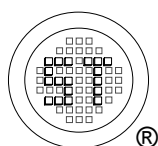
# MM1Z2B4~MM1ZB75

[查询"MM1ZB43"供应商](#)

## Characteristics at $T_a = 25\text{ }^\circ\text{C}$

| Type    | Marking Code | Zener Voltage Range <sup>1)</sup> |                |                   | Dynamic Impedance           |                | Reverse Leakage Current       |               |
|---------|--------------|-----------------------------------|----------------|-------------------|-----------------------------|----------------|-------------------------------|---------------|
|         |              | $V_{znom}$<br>V                   | $I_{zT}$<br>mA | for $V_{zT}$<br>V | $Z_{zT}$ (Max.)<br>$\Omega$ | at $I_z$<br>mA | $I_R$ (Max.)<br>$\mu\text{A}$ | at $V_R$<br>V |
| MM1Z2B4 | 5Y1          | 2.4                               | 5              | 2.352...2.448     | 100                         | 5              | 120                           | 1             |
| MM1Z2B7 | 5Z1          | 2.7                               | 5              | 2.646...2.754     | 110                         | 5              | 120                           | 1             |
| MM1Z3B0 | 6A1          | 3.0                               | 5              | 2.94...3.06       | 120                         | 5              | 50                            | 1             |
| MM1Z3B3 | 6B1          | 3.3                               | 5              | 3.234...3.366     | 130                         | 5              | 20                            | 1             |
| MM1Z3B6 | 6C1          | 3.6                               | 5              | 3.528...3.672     | 130                         | 5              | 10                            | 1             |
| MM1Z3B9 | 6D1          | 3.9                               | 5              | 3.822...3.978     | 130                         | 5              | 5                             | 1             |
| MM1Z4B3 | 6E1          | 4.3                               | 5              | 4.214...4.386     | 130                         | 5              | 5                             | 1             |
| MM1Z4B7 | 6F1          | 4.7                               | 5              | 4.606...4.794     | 130                         | 5              | 2                             | 1             |
| MM1Z5B1 | 6G1          | 5.1                               | 5              | 4.998...5.202     | 130                         | 5              | 2                             | 1.5           |
| MM1Z5B6 | 6H1          | 5.6                               | 5              | 5.488...5.712     | 80                          | 5              | 1                             | 2.5           |
| MM1Z6B2 | 6J1          | 6.2                               | 5              | 6.076...6.324     | 50                          | 5              | 1                             | 3             |
| MM1Z6B8 | 6K1          | 6.8                               | 5              | 6.664...6.936     | 30                          | 5              | 0.5                           | 3.5           |
| MM1Z7B5 | 6L1          | 7.5                               | 5              | 7.35...7.65       | 30                          | 5              | 0.5                           | 4             |
| MM1Z8B2 | 6M1          | 8.2                               | 5              | 8.036...8.364     | 30                          | 5              | 0.5                           | 5             |
| MM1Z9B1 | 6N1          | 9.1                               | 5              | 8.918...9.282     | 30                          | 5              | 0.5                           | 6             |
| MM1ZB10 | 6P1          | 10                                | 5              | 9.8...10.2        | 30                          | 5              | 0.1                           | 7             |
| MM1ZB11 | 6Q1          | 11                                | 5              | 10.78...11.22     | 30                          | 5              | 0.1                           | 8             |
| MM1ZB12 | 6R1          | 12                                | 5              | 11.76...12.24     | 35                          | 5              | 0.1                           | 9             |
| MM1ZB13 | 6S1          | 13                                | 5              | 12.74...13.26     | 35                          | 5              | 0.1                           | 10            |
| MM1ZB15 | 6T1          | 15                                | 5              | 14.7...15.3       | 40                          | 5              | 0.1                           | 11            |
| MM1ZB16 | 6U1          | 16                                | 5              | 15.68...16.32     | 40                          | 5              | 0.1                           | 12            |
| MM1ZB18 | 6W1          | 18                                | 5              | 17.64...18.36     | 45                          | 5              | 0.1                           | 13            |
| MM1ZB20 | 6X1          | 20                                | 5              | 19.6...20.4       | 50                          | 5              | 0.1                           | 15            |
| MM1ZB22 | 6Y1          | 22                                | 5              | 21.56...22.44     | 55                          | 5              | 0.1                           | 17            |
| MM1ZB24 | 6Z1          | 24                                | 5              | 23.52...24.48     | 60                          | 5              | 0.1                           | 19            |
| MM1ZB27 | 7A1          | 27                                | 5              | 26.46...27.54     | 70                          | 2              | 0.1                           | 21            |
| MM1ZB30 | 7B1          | 30                                | 5              | 29.4...30.6       | 80                          | 2              | 0.1                           | 23            |
| MM1ZB33 | 7C1          | 33                                | 5              | 32.34...33.66     | 80                          | 2              | 0.1                           | 25            |
| MM1ZB36 | 7D1          | 36                                | 5              | 35.28...36.72     | 90                          | 2              | 0.1                           | 27            |
| MM1ZB39 | 7E1          | 39                                | 2.5            | 38.22...39.78     | 100                         | 2              | 2                             | 30            |
| MM1ZB43 | 7F1          | 43                                | 2.5            | 42.14...43.86     | 130                         | 2              | 2                             | 33            |
| MM1ZB47 | 7G1          | 47                                | 2.5            | 46.06...47.94     | 150                         | 2              | 2                             | 36            |
| MM1ZB51 | 7H1          | 51                                | 2.5            | 49.98...52.02     | 180                         | 2              | 1                             | 39            |
| MM1ZB56 | 7J1          | 56                                | 2.5            | 54.88...57.12     | 180                         | 2              | 1                             | 43            |
| MM1ZB62 | 7K1          | 62                                | 2.5            | 60.76...63.24     | 200                         | 2              | 0.2                           | 47            |
| MM1ZB68 | 7L1          | 68                                | 2.5            | 66.64...69.36     | 250                         | 2              | 0.2                           | 52            |
| MM1ZB75 | 7M1          | 75                                | 2.5            | 73.5...76.5       | 300                         | 2              | 0.2                           | 57            |

<sup>1)</sup>  $V_z$  is tested with pulses (20 ms).



**SEMTECH ELECTRONICS LTD.**

(Subsidiary of Sino-Tech International Holdings Limited, a company listed on the Hong Kong Stock Exchange, Stock Code: 724)



Dated : 31/10/2007

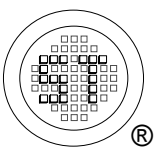
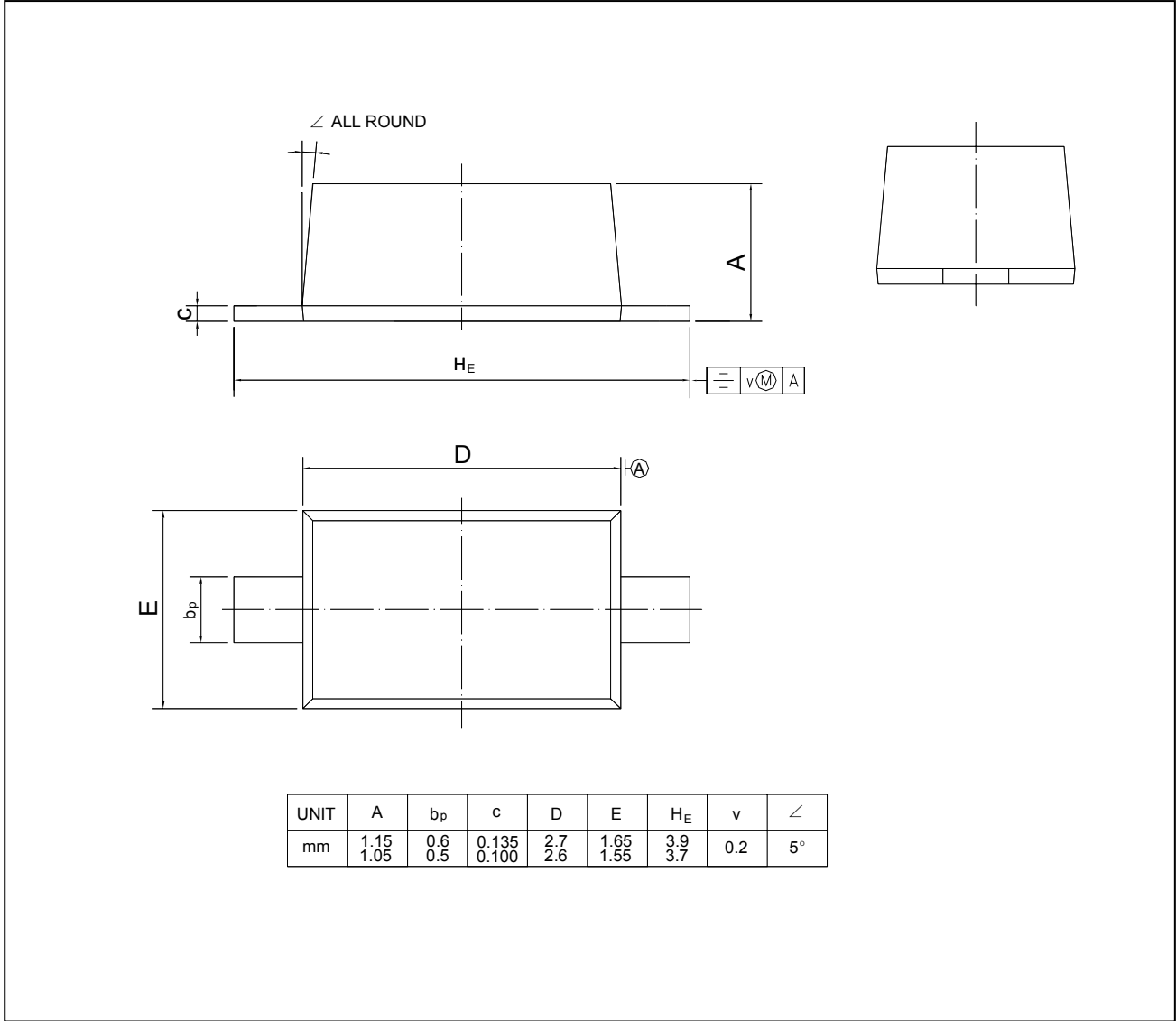
# MM1Z2B4~MM1ZB75

[查询"MM1ZB43"供应商](#)

## PACKAGE OUTLINE

Plastic surface mounted package; 2 leads

SOD-123



## SEMTECH ELECTRONICS LTD.

(Subsidiary of Sino-Tech International Holdings Limited, a company listed on the Hong Kong Stock Exchange, Stock Code: 724)



ISO/TS 16949 : 2002  
Certificate No. 05103



ISO14001 : 2004  
Certificate No. 7116



ISO 9001 : 2008  
Certificate No. 050008



ISO/HSAS 18001 : 2007  
Certificate No. 7116



IECQ QC 080000  
Certificate No. 050008

Dated : 31/10/2007