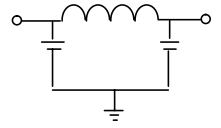
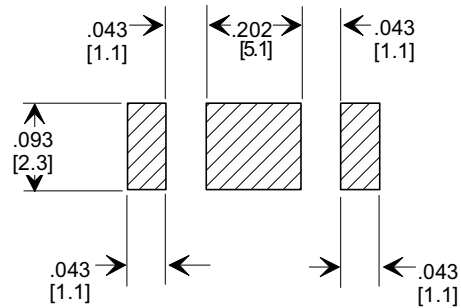
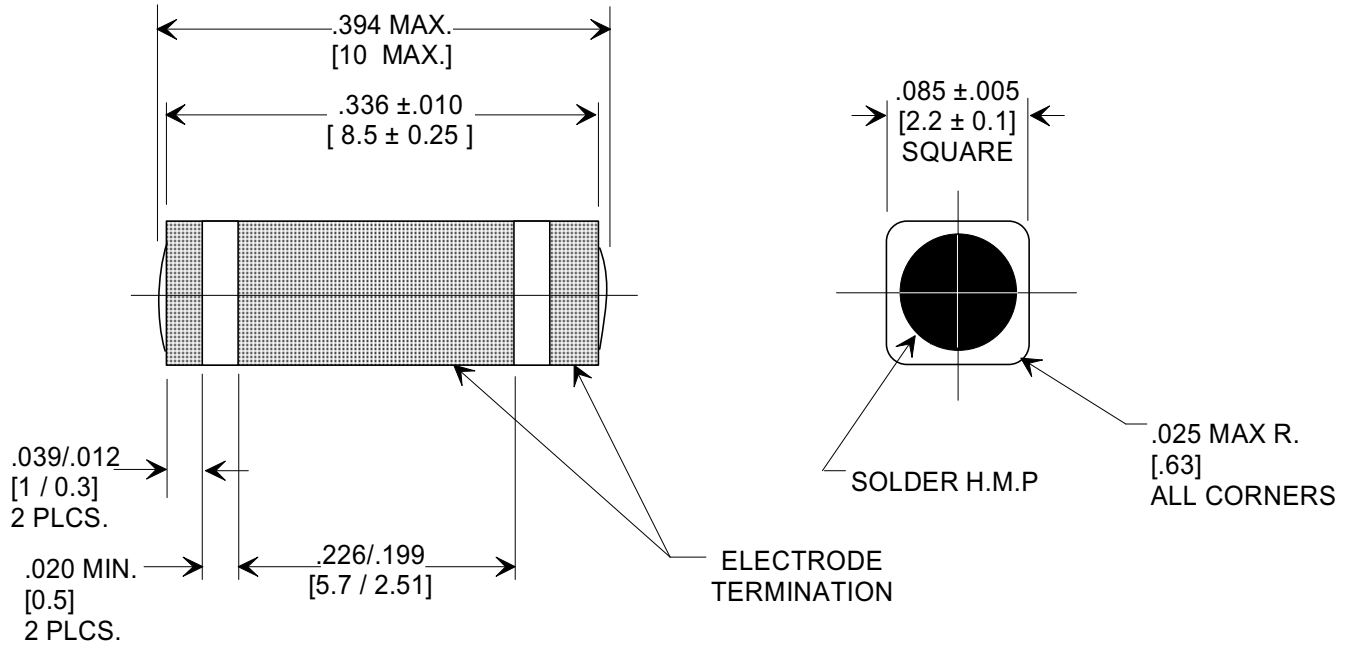


MARKETING SALES DRAWING

DIMENSIONS IN INCHES - DO NOT SCALE THIS DRAWING
 DIMENSIONS IN METRIC []



Electrical Testing
 per Tusonix standard
 test plan 470-1002
 Test Methods.
 查询470-1002 供应商



MOUNTING PATTERN

1. INDUCTANCE TO BE 0.1 H MINIMUM.
2. PACKAGE: BULK OR BLISTER TAPE TO IEC-286-3 TYPE II AND EIA-481-A.

002	6,800 pF	+80% / -20%	100	300 VDC	10 A	SOLDER	16	60	70
001	8,200 pF	+80% / -20%	100	300 VDC	10 A	SOLDER	20	65	70
ITEM	CAP.	TOLERANCE	VVDC +85°C	TEST VOLTAGE	I _{DC}	ELECTRODE TERMINATION	TYPICAL NO LOAD INSERTION LOSS dB AT 25°C PER MIL-STD-220		
							10 MHZ	100 MHZ	1 GHZ

X-2015 Rev-0

REVISION RECORD	0	Original Release C.O. 950911-2
	1	CAP. WAS 10,000 pF. S.M. 02-06-96
	2	RTNG CHG WS +125°C, NT 1 ADDED EC 5-8-96
	3	DELET ITEM 000. S.M. 01-16-97
	4	ITEM 002 ADDED. S.M. 05-15-97
5	19980715-8-02	DIM .085 ±.005 WAS .083 ±.004 & .226/.199 WAS .226/.099. S.M. 07-15-98

--TOLERANCES--
 Unless Otherwise Specified

DECIMAL ± .005 [0.1]

ANGLES ±

TUSONIX
 TUCSON, ARIZONA

Title **SURFACE MOUNT SQUARE STYLE PI FILTER**

Drawn EC 08-11-95

Approved NV 08-11-95

A **4701-STYLE**