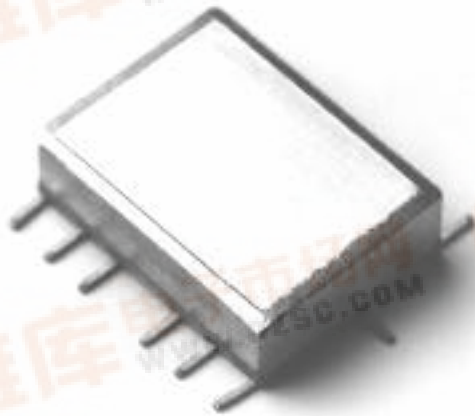


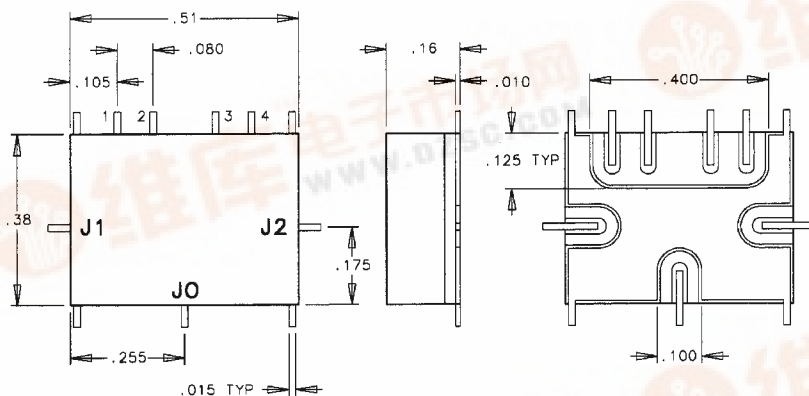
# SINGLE POLE, DOUBLE THROW SURFACE MOUNT SWITCHES



## ELECTRICAL CHARACTERISTICS

PART #	TYPE	FREQ RANGE GHz	LOSS dB	ISO dB	VSWR	SWITCH SPEED ns	RF POWER dBm	DC SUPPLY Volts
6903	SP2T R	5-6	0.8	40	1.7:1	125	25	+5, -5
6904	SP2T N	.01-1	1.0	60	1.8:1	25	25	+5
6906	SP2T R	.1-2	0.4	60	1.5:1	2000	43	+5,-28
6909	SP2T R	.5-4	0.5	50	1.5:1	125	25	+5, -5

## PACKAGE OUTLINE



## DESCRIPTION

These surface mount switches provide a low cost solution for applications above 2 GHz where the performance of plastic packaging generally degrades. Each switch is easily mounted to microstrip sub-assemblies and features hermetic, military/industrial design.

## ADDITIONAL FEATURES (#6906)

- -1 dB compression of +40 dBm

## CONNECTORS

- Surface mount

## OPERATING ENVIRONMENT

- Operating Temperature: -55 to +125°C
- Storage Temperature: -65 to +150°C
- Impedance: 50 ohm
- Control: Transistor-Transistor Logic (TTL)

## APPLICATIONS

- High speed digital communication systems
- Transmit/receive:
  - Cellular
  - Personal Communication Systems (PCS)
  - Industrial, Scientific & Medical (ISM) Systems