

查询"CTCDRH74BF-471M"供应商

CTCDRH74B Series

From 10 μH to 1,000 μH



CHARACTERISTICS

Description: SMD (shielded) power inductor

Applications: Power supplies for VTR, OA equipment, LCD televisions, PC notebooks, portable communication equipment, DC/DC converters, etc.

Operating Temperature: -40°C to $+85^{\circ}\text{C}$

Inductance Tolerance: $\pm 20\%$

Testing: Inductance is tested on an HP4284A at 1.0 kHz

Packaging: Tape & Reel

Marking: Parts are marked with inductance code

Miscellaneous: RoHS Compliant available. Magnetically shielded

Additional Information: Additional electrical & physical information available upon request

Samples available. See website for ordering information.

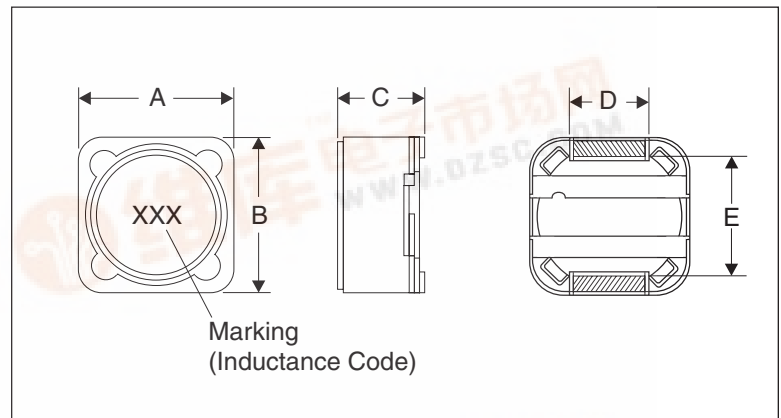
SPECIFICATIONS

Parts are available in $\pm 20\%$ tolerance only.
CTCDRH74BE Please specify "F" for RoHS compliant

Part Number	Inductance (μH)	L Test Freq. (kHz)	DCR Max. (Ω)	IDC Max. (A)
CTCDRH74B_-100M	10	1.0	.05	1.9
CTCDRH74B_-120M	12	1.0	.06	1.7
CTCDRH74B_-150M	15	1.0	.08	1.5
CTCDRH74B_-180M	18	1.0	.09	1.3
CTCDRH74B_-220M	22	1.0	.11	1.2
CTCDRH74B_-270M	27	1.0	.15	1.1
CTCDRH74B_-330M	33	1.0	.17	.96
CTCDRH74B_-390M	39	1.0	.23	.91
CTCDRH74B_-470M	47	1.0	.26	.88
CTCDRH74B_-560M	56	1.0	.35	.75
CTCDRH74B_-680M	68	1.0	.38	.69
CTCDRH74B_-820M	82	1.0	.43	.61
CTCDRH74B_-101M	100	1.0	.61	.60
CTCDRH74B_-121M	120	1.0	.66	.52
CTCDRH74B_-151M	150	1.0	.88	.46
CTCDRH74B_-181M	180	1.0	.98	.42
CTCDRH74B_-221M	220	1.0	1.2	.36
CTCDRH74B_-271M	270	1.0	1.6	.34
CTCDRH74B_-331M	330	1.0	1.9	.32
CTCDRH74B_-391M	390	1.0	2.9	.29
CTCDRH74B_-471M	470	1.0	3.0	.26
CTCDRH74B_-561M	560	1.0	3.6	.23
CTCDRH74B_-681M	680	1.0	4.6	.22
CTCDRH74B_-821M	820	1.0	5.2	.20
CTCDRH74B_-102M	1000	1.0	6.0	.18

PHYSICAL DIMENSIONS

Size	A Max.	B Max.	C Max.	D	E
mm	7.5	7.5	4.5	2.7 \pm 0.2	5.1 \pm 0.2
inches	0.3	0.3	0.18	0.11 \pm 0.008	0.20 \pm 0.008



01.14.05

Manufacturer of Inductors, Chokes, Coils, Beads, Transformers & Toroids

800-684-5322 Inside US 949-453-1811 Outside US

Copyright © 2005 by CT Magnetics, DBA Central Technologies. All rights reserved.

CT Magnetics reserves the right to make improvements or change specifications without notice

