

## Low-Power Dual Digital Isolators

Check for Samples: [ISO7420](#), [ISO7420M](#), [ISO7421](#), [ISO7421M](#)

### FEATURES

- Highest Signaling Rate: 1 Mbps
- Low Power Consumption, Typical  $I_{CC}$  per Channel (3.3V operation):
  - ISO7420: 1.1 mA, ISO7421: 1.5 mA
- Low Propagation Delay – 9 ns Typ. and Low Skew – 300 ps Typ.
- Wide  $T_A$  Range Specified:  $-40^{\circ}\text{C}$  to  $125^{\circ}\text{C}$
- 4-kVpeak Maximum Isolation, 2.5 kVrms per UL 1577, IEC/VDE and CSA Approvals, IEC 60950-1, IEC 61010-1 End Equipment Standards Approvals. All Approvals Pending.
- 50 kV/ $\mu\text{s}$  Transient Immunity, Typical
- Over 25-Year Isolation Integrity at Rated Voltage
- Operates From 3.3V and 5V Supply and Logic Levels

### APPLICATIONS

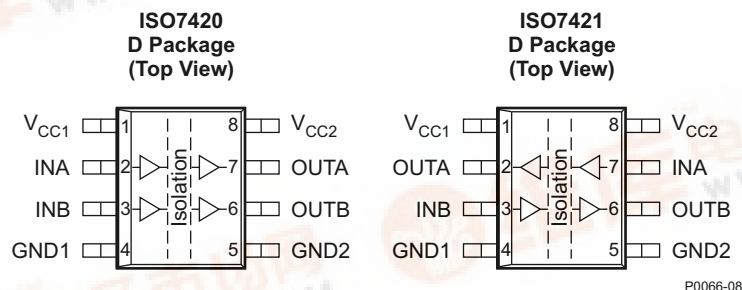
- Optocoupler Replacement in:
  - Industrial Fieldbus
  - Profibus
  - Modbus
  - DeviceNet™ Data Buses
  - Servo Control Interface
  - Motor Control
  - Power Supplies
  - Battery Packs

### DESCRIPTION

The ISO7420, ISO7420M, ISO7421, and ISO7421M provide galvanic isolation up to 2.5 kVrms for 1 minute per UL. These digital isolators have two isolated channels. Each isolation channel has a logic input and output buffer separated by a silicon dioxide ( $\text{SiO}_2$ ) insulation barrier. Used in conjunction with isolated power supplies, these devices prevent noise currents on a data bus or other circuit from entering the local ground and interfering with or damaging sensitive circuitry. The suffix M indicates wide temperature range ( $-40^{\circ}\text{C}$  to  $125^{\circ}\text{C}$ ).

The devices have TTL input thresholds and require two supply voltages, 3.3V or 5V, or any combination. All inputs are 5-V tolerant when supplied from a 3.3V supply.

Note: The ISO7420 and ISO7421 are specified for signaling rates up to 1 Mbps. Due to their fast response time, under most cases, these devices will also transmit data with much shorter pulse widths. Designers should add external filtering to remove spurious signals with input pulse duration  $< 20\text{ns}$  if desired.



Please be aware that an important notice concerning availability, standard warranty, and use in critical applications of Texas Instruments semiconductor products and disclaimers thereto appears at the end of this data sheet.

DeviceNet is a trademark of Texas Instruments.

UNLESS OTHERWISE NOTED this document contains PRODUCTION DATA information current as of publication date. Products conform to specifications per the terms of Texas Instruments standard warranty. Production processing does not necessarily include testing of all parameters.

Copyright © 2009–2010, Texas Instruments Incorporated





These devices have limited built-in ESD protection. The leads should be shorted together or the device placed in conductive foam during storage or handling to prevent electrostatic damage to the MOS gates.

### PIN FUNCTIONS

PIN		I/O	DESCRIPTION
NAME	NO.		
INA	7	I	Input, channel A
INB	3	I	Input, channel B
GND1	4	–	Ground connection for $V_{CC1}$
GND2	5	–	Ground connection for $V_{CC2}$
OUTA	2	O	Output, channel A
OUTB	6	O	Output, channel B
$V_{CC1}$	1	–	Power supply, $V_{CC1}$
$V_{CC2}$	8	–	Power supply, $V_{CC2}$

**Table 1. FUNCTION TABLE<sup>(1)</sup>**

INPUT SIDE VCC	OUTPUT SIDE VCC	INPUT IN	OUTPUT OUT
PU	PU	H	H
		L	L
		Open	H <sup>(2)</sup>
PD	PU	X	H <sup>(2)</sup>

- (1) PU = Powered up ( $V_{CC} \geq 3$  V); PD = Powered down ( $V_{CC} \leq 2.4$  V);  
X = Irrelevant; H = High level; L = Low level  
(2) In fail-safe condition, output is at high level for ISO7420, ISO7420M,  
ISO7421 and ISO7421M.

### AVAILABLE OPTIONS

PRODUCT	RATED ISOLATION	PACKAGE	INPUT THRESHOLD	RATED $T_A$	CHANNEL DIRECTION	MARKED AS	ORDERING NUMBER
ISO7420	2.5 kVrms	D-8	~1.5 V (TTL) (CMOS compatible)	–40°C to 105°C	Same direction	IS7420	ISO7420D (rail) ISO7420DR (reel)
ISO7420M				–40°C to 125°C		I7420M	ISO7420MD (rail) ISO7420MDR (reel)
ISO7421				–40°C to 105°C	Opposite directions	IS7421	ISO7421D (rail) ISO7421DR (reel)
ISO7421M (PREVIEW)				–40°C to 125°C		I7421M	ISO7421MD (rail) ISO7421MDR (reel)

**ABSOLUTE MAXIMUM RATINGS<sup>(1)</sup>**

				VALUE	
$V_{CC}$	Supply voltage <sup>(2)</sup> , $V_{CC1}$ , $V_{CC2}$			–0.5 V to 6 V	
$V_I$	Voltage at IN, OUT			–0.5 V to 6 V	
$I_O$	Output current			±15 mA	
ESD	Electrostatic discharge	Human-body model	JEDEC Standard 22, Test Method A114-C.01	All pins	±4 kV
		Field-induced charged-device model	JEDEC Standard 22, Test Method C101		±1.5 kV
		Machine model	ANSI/ESDS5.2-1996		±200 V
$T_{J(Max)}$	Maximum junction temperature			150°C	
$T_{stg}$	Storage temperature			–65°C to 150°C	

- (1) Stresses beyond those listed under *absolute maximum ratings* may cause permanent damage to the device. These are stress ratings only and functional operation of the device at these or any other conditions beyond those indicated under *recommended operating conditions* is not implied. Exposure to absolute-maximum-rated conditions for extended periods may affect device reliability.
- (2) All voltage values except differential I/O bus voltages are with respect to network ground terminal and are peak voltage values.

**RECOMMENDED OPERATING CONDITIONS**

		MIN	TYP	MAX	UNIT
$V_{CC1}$ , $V_{CC2}$	Supply voltage - 3.3V operation	3.15	3.3	3.45	V
	Supply voltage - 5V operation	4.75	5	5.25	
$I_{OH}$	High-level output current	–4			mA
$I_{OL}$	Low-level output current			4	mA
$V_{IH}$	High-level input voltage	2		$V_{CC}$	V
$V_{IL}$	Low-level input voltage	0		0.8	V
$T_J^{(1)}$	Junction temperature	–40		136	°C
$1/t_{ui}$	Signaling rate	0		1	Mbps
$t_{ui}$	Input pulse duration	1			us

- (1) To maintain the recommended operating conditions for  $T_J$ , see the [Package Thermal Characteristics](#) table and the  $I_{CC}$  limits in this data sheet.

查询 ISO7420 供应商

## ELECTRICAL CHARACTERISTICS

$V_{CC1}$  and  $V_{CC2}$  at  $5V \pm 5\%$ ;  $T_A = -40^\circ\text{C}$  to  $125^\circ\text{C}$  for ISO742xM,  $T_A = -40^\circ\text{C}$  to  $105^\circ\text{C}$  for ISO742x

PARAMETER		TEST CONDITIONS	MIN	TYP	MAX	UNIT
$V_{OH}$	High-level output voltage	$I_{OH} = -4 \text{ mA}$ ; see <a href="#">Figure 1</a> .	$V_{CC} - 0.8$	4.6		V
		$I_{OH} = -20 \mu\text{A}$ ; see <a href="#">Figure 1</a> .	$V_{CC} - 0.1$	5		
$V_{OL}$	Low-level output voltage	$I_{OL} = 4 \text{ mA}$ ; see <a href="#">Figure 1</a> .		0.2	0.4	V
		$I_{OL} = 20 \mu\text{A}$ ; see <a href="#">Figure 1</a> .		0	0.1	
$V_{I(HYS)}$	Input threshold voltage hysteresis			400		mV
$I_{IH}$	High-level input current	INx at 0 V or $V_{CC}$			10	$\mu\text{A}$
$I_{IL}$	Low-level input current			-10		$\mu\text{A}$
CMTI	Common-mode transient immunity	$V_I = V_{CC}$ or 0 V; see <a href="#">Figure 3</a> .	25	50		kV/ $\mu\text{s}$
<b>SUPPLY CURRENT (All inputs switching with square wave clock signal for dynamic ICC measurement)</b>						
<b>ISO7420</b>						
$I_{CC1}$	Supply current for $V_{CC1}$	DC to 1 Mbps $V_I = V_{CC}$ or 0 V, 15 pF load		0.4	1	mA
$I_{CC2}$	Supply current for $V_{CC2}$			3	6	
<b>ISO7421</b>						
$I_{CC1}$	Supply current for $V_{CC1}$	DC to 1 Mbps $V_I = V_{CC}$ or 0 V, 15 pF load		2	4	mA
$I_{CC2}$	Supply current for $V_{CC2}$			2	4	

## SWITCHING CHARACTERISTICS

$V_{CC1}$  and  $V_{CC2}$  at  $5V \pm 5\%$ ;  $T_A = -40^\circ\text{C}$  to  $125^\circ\text{C}$  for ISO742xM,  $T_A = -40^\circ\text{C}$  to  $105^\circ\text{C}$  for ISO742X

PARAMETER		TEST CONDITIONS	MIN	TYP	MAX	UNIT
$t_{PLH}$ , $t_{PHL}$	Propagation delay time	See <a href="#">Figure 1</a> .		9	14	ns
PWD <sup>(1)</sup>	Pulse width distortion $ t_{PHL} - t_{PLH} $			0.3	3.5	ns
$t_{sk(pp)}$	Part-to-part skew time				4	ns
$t_{sk(o)}$	Channel-to-channel output skew time				3.6	ns
$t_r$	Output signal rise time	See <a href="#">Figure 1</a> .		1		ns
$t_f$	Output signal fall time			1		ns
$t_{fs}$	Fail-safe output delay time from input power loss	See <a href="#">Figure 2</a> .		6		$\mu\text{s}$

(1) Also known as pulse skew.

## ELECTRICAL CHARACTERISTICS

 $V_{CC1}$  at  $5V \pm 5\%$ ,  $V_{CC2}$  at  $3.3V \pm 5\%$ ;  $T_A = -40^\circ C$  to  $125^\circ C$  for ISO742xM,  $T_A = -40^\circ C$  to  $105^\circ C$  for ISO742x

PARAMETER		TEST CONDITIONS		MIN	TYP	MAX	UNIT
$V_{OH}$	High-level output voltage	$I_{OH} = -4 \text{ mA}$ ; see Figure 1.	ISO7421 (5-V side)	$V_{CC} - 0.8$	4.6		V
			ISO7420 / 7421 (3.3-V side)	$V_{CC} - 0.4$	3		
				$V_{CC} - 0.1$	$V_{CC}$		
$V_{OL}$	Low-level output voltage	$I_{OL} = 4 \text{ mA}$ ; see Figure 1.			0.2	0.4	V
		$I_{OL} = 20 \text{ }\mu\text{A}$ ; see Figure 1.			0	0.1	
$V_{I(HYS)}$	Input threshold voltage hysteresis				400		mV
$I_{IH}$	High-level input current	INx at 0 V or $V_{CC}$				10	$\mu\text{A}$
$I_{IL}$	Low-level input current				-10		$\mu\text{A}$
CMTI	Common-mode transient immunity	$V_I = V_{CC}$ or 0 V; see Figure 3.		25	40		kV/ $\mu\text{s}$
<b>SUPPLY CURRENT (All inputs switching with square wave clock signal for dynamic ICC measurement)</b>							
<b>ISO7420</b>							
$I_{CC1}$	Supply current for $V_{CC1}$	DC to 1 Mbps	$V_I = V_{CC}$ or 0 V, 15 pF load		0.4	1	mA
$I_{CC2}$	Supply current for $V_{CC2}$				2	4.5	mA
<b>ISO7421</b>							
$I_{CC1}$	Supply current for $V_{CC1}$	DC to 1 Mbps	$V_I = V_{CC}$ or 0 V, 15 pF load		2	4	mA
$I_{CC2}$	Supply current for $V_{CC2}$				1.5	3.5	mA

## SWITCHING CHARACTERISTICS

 $V_{CC1}$  at  $5V \pm 5\%$ ,  $V_{CC2}$  at  $3.3V \pm 5\%$ ;  $T_A = -40^\circ C$  to  $125^\circ C$  for ISO742xM,  $T_A = -40^\circ C$  to  $105^\circ C$  for ISO742x

PARAMETER		TEST CONDITIONS		MIN	TYP	MAX	UNIT
$t_{PLH}$ , $t_{PHL}$	Propagation delay time	See Figure 1.			10	17	ns
PWD <sup>(1)</sup>	Pulse width distortion $ t_{PHL} - t_{PLH} $				0.5	4	ns
$t_{sk(pp)}$	Part-to-part skew time					5	ns
$t_{sk(o)}$	Channel-to-channel output skew time					4	ns
$t_r$	Output signal rise time	See Figure 1.			2		ns
$t_f$	Output signal fall time				2		ns
$t_{fs}$	Fail-safe output delay time from input power loss	See Figure 2.			6		$\mu\text{s}$

(1) Also known as pulse skew.

## ELECTRICAL CHARACTERISTICS

$V_{CC1}$  at  $3.3V \pm 5\%$ ,  $V_{CC2}$  at  $5V \pm 5\%$ ;  $T_A = -40^\circ C$  to  $125^\circ C$  for ISO742xM,  $T_A = -40^\circ C$  to  $105^\circ C$  for ISO742x

PARAMETER		TEST CONDITIONS		MIN	TYP	MAX	UNIT
$V_{OH}$	High-level output voltage	$I_{OH} = -4 \text{ mA}$ ; see Figure 1.	ISO7420 / 7421 (5-V side).	$V_{CC} - 0.8$	4.6		V
			ISO7421 (3.3-V side)	$V_{CC} - 0.4$	3		
			$I_{OH} = -20 \text{ } \mu\text{A}$ ; see Figure 1		$V_{CC} - 0.1$	$V_{CC}$	
$V_{OL}$	Low-level output voltage	$I_{OL} = 4 \text{ mA}$ ; see Figure 1.			0.2	0.4	V
		$I_{OL} = 20 \text{ } \mu\text{A}$ ; see Figure 1.				0	
$V_{I(HYS)}$	Input threshold voltage hysteresis				400		mV
$I_{IH}$	High-level input current	$I_{Nx}$ at 0 V or $V_{CC}$				10	$\mu\text{A}$
$I_{IL}$	Low-level input current				-10		$\mu\text{A}$
CMTI	Common-mode transient immunity	$V_I = V_{CC}$ or 0 V; see Figure 3.		25	40		kV/ $\mu\text{s}$
<b>SUPPLY CURRENT (All inputs switching with square wave clock signal for dynamic ICC measurement)</b>							
<b>ISO7420</b>							
$I_{CC1}$	Supply current for $V_{CC1}$	DC to 1 Mbps	$V_I = V_{CC}$ or 0 V, 15 pF load		0.2	0.7	mA
$I_{CC2}$	Supply current for $V_{CC2}$				3	6	
<b>ISO7421</b>							
$I_{CC1}$	Supply current for $V_{CC1}$	DC to 1 Mbps	$V_I = V_{CC}$ or 0 V, 15 pF load		1.5	3.5	mA
$I_{CC2}$	Supply current for $V_{CC2}$				2	4	

## SWITCHING CHARACTERISTICS

$V_{CC1}$  at  $3.3V \pm 5\%$ ,  $V_{CC2}$  at  $5V \pm 5\%$ ,  $T_A = -40^\circ C$  to  $125^\circ C$  for ISO742xM,  $T_A = -40^\circ C$  to  $105^\circ C$  for ISO742x

PARAMETER		TEST CONDITIONS		MIN	TYP	MAX	UNIT
$t_{PLH}$ , $t_{PHL}$	Propagation delay time	See Figure 1.			10	17	ns
PWD <sup>(1)</sup>	Pulse width distortion $ t_{PHL} - t_{PLH} $				0.5	4	ns
$t_{sk(pp)}$	Part-to-part skew time					5	ns
$t_{sk(o)}$	Channel-to-channel output skew time					4	ns
$t_r$	Output signal rise time	See Figure 1.			2		ns
$t_f$	Output signal fall time				2		ns
$t_{fs}$	Fail-safe output delay time from input power loss	See Figure 2.			6		$\mu\text{s}$

(1) Also known as pulse skew.

## ELECTRICAL CHARACTERISTICS

 $V_{CC1}$  and  $V_{CC2}$  at  $3.3V \pm 5\%$ ,  $T_A = -40^\circ\text{C}$  to  $125^\circ\text{C}$  for ISO742xM,  $T_A = -40^\circ\text{C}$  to  $105^\circ\text{C}$  for ISO742x

PARAMETER		TEST CONDITIONS		MIN	TYP	MAX	UNIT
$V_{OH}$	High-level output voltage	$I_{OH} = -4 \text{ mA}$ ; see Figure 1.		$V_{CC} - 0.4$	3		V
		$I_{OH} = -20 \mu\text{A}$ ; see Figure 1.		$V_{CC} - 0.1$	3.3		
$V_{OL}$	Low-level output voltage	$I_{OL} = 4 \text{ mA}$ ; see Figure 1.			0.2	0.4	V
		$I_{OL} = 20 \mu\text{A}$ ; see Figure 1.			0	0.1	
$V_{I(HYS)}$	Input threshold voltage hysteresis				400		mV
$I_{IH}$	High-level input current	INx at 0 V or $V_{CC}$				10	$\mu\text{A}$
$I_{IL}$	Low-level input current					-10	
CMTI	Common-mode transient immunity	$V_I = V_{CC}$ or 0 V; see Figure 3.		25	40		kV/ $\mu\text{s}$
<b>SUPPLY CURRENT (All inputs switching with square wave clock signal for dynamic ICC measurement)</b>							
<b>ISO7420</b>							
$I_{CC1}$	Supply current for $V_{CC1}$	DC to 1 Mbps	$V_I = V_{CC}$ or 0 V, 15 pF load		0.2	0.7	mA
$I_{CC2}$	Supply current for $V_{CC2}$				2	4.5	
<b>ISO7421</b>							
$I_{CC1}$	Supply current for $V_{CC1}$	DC to 1 Mbps	$V_I = V_{CC}$ or 0 V, 15 pF load		1.5	3.5	mA
$I_{CC2}$	Supply current for $V_{CC2}$				1.5	3.5	

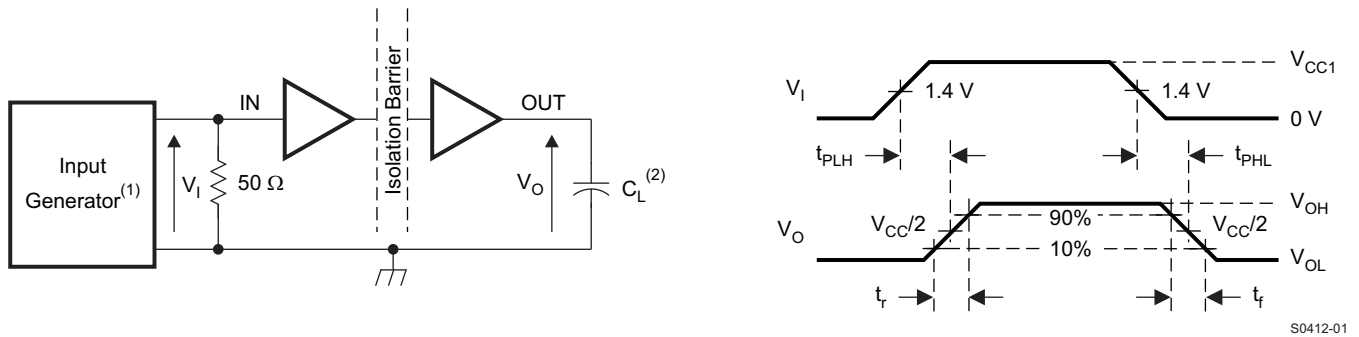
## SWITCHING CHARACTERISTICS

 $V_{CC1}$  and  $V_{CC2}$  at  $3.3V \pm 5\%$ ,  $T_A = -40^\circ\text{C}$  to  $125^\circ\text{C}$  for ISO742xM,  $T_A = -40^\circ\text{C}$  to  $105^\circ\text{C}$  for ISO742x

PARAMETER		TEST CONDITIONS	MIN	TYP	MAX	UNIT
$t_{PLH}$ , $t_{PHL}$	Propagation delay time	See Figure 1.		12	20	ns
PWD <sup>(1)</sup>	Pulse width distortion $ t_{PHL} - t_{PLH} $			1	5	ns
$t_{sk(pp)}$	Part-to-part skew time				6	ns
$t_{sk(o)}$	Channel-to-channel output skew time			5.5	ns	
$t_r$	Output signal rise time	See Figure 1.		2		ns
$t_f$	Output signal fall time			2		ns
$t_{fs}$	Fail-safe output delay time from input power loss	See Figure 2.		6		$\mu\text{s}$

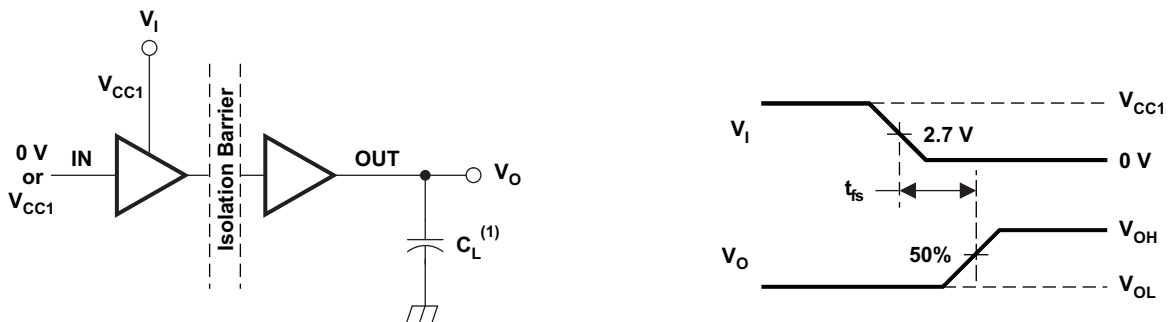
(1) Also known as pulse skew.

PARAMETER MEASUREMENT INFORMATION



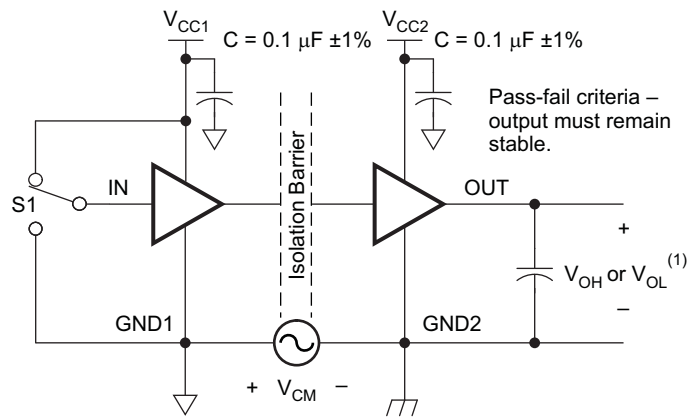
- (1) The input pulse is supplied by a generator having the following characteristics: PRR ≤ 50 kHz, 50% duty cycle,  $t_r \leq 3$  ns,  $t_f \leq 3$  ns,  $Z_o = 50 \Omega$ . At the input, a 50-Ω resistor is required to terminate the Input Generator signal. It is not needed in an actual application.
- (2)  $C_L = 15$  pF ± 20% includes instrumentation and fixture capacitance.

Figure 1. Switching Characteristic Test Circuit and Voltage Waveforms



- (1)  $C_L = 15$  pF ± 20% includes instrumentation and fixture capacitance.

Figure 2. Fail-Safe Output Delay-Time Test Circuit and Voltage Waveforms



- (1)  $C_L = 15$  pF ± 20% includes instrumentation and fixture capacitance.

Figure 3. Common-Mode Transient Immunity Test Circuit



## DEVICE INFORMATION

### PACKAGE CHARACTERISTICS

over recommended operating conditions (unless otherwise noted)

PARAMETER		TEST CONDITIONS	MIN	TYP	MAX	UNIT
L(I01)	Minimum air gap (clearance)	Shortest terminal-to-terminal distance through air	4.8			mm
L(I02)	Minimum external tracking (creepage)	Shortest terminal-to-terminal distance across the package surface	4.3			mm
CTI	Tracking resistance (comparative tracking index)	DIN IEC 60112 / VDE 0303 Part 1	>175			V
	Minimum internal gap (internal clearance)	Distance through the insulation	0.014			mm
R <sub>IO</sub>	Isolation resistance, input to output <sup>(1)</sup>	V <sub>IO</sub> = 500 V, T <sub>A</sub> < 100°C	>10 <sup>12</sup>			Ω
		V <sub>IO</sub> = 500 V, 100°C ≤ T <sub>A</sub> ≤ max	>10 <sup>11</sup>			Ω
C <sub>IO</sub>	Barrier capacitance, input to output <sup>(1)</sup>	V <sub>IO</sub> = 0.4 sin (2πft), f = 1 MHz		1		pF
C <sub>I</sub>	Input capacitance <sup>(2)</sup>	V <sub>I</sub> = V <sub>CC</sub> /2 + 0.4 sin (2πft), f = 1 MHz, V <sub>CC</sub> = 5 V		1		pF

(1) All pins on each side of the barrier tied together creating a two-terminal device.

(2) Measured from input pin to ground.

#### NOTE

Creepage and clearance requirements should be applied according to the specific equipment isolation standards of an application. Care should be taken to maintain the creepage and clearance distance of a board design to ensure that the mounting pads of the isolator on the printed-circuit board do not reduce this distance.

Creepage and clearance on a printed-circuit board become equal according to the measurement techniques shown in the Isolation Glossary. Techniques such as inserting grooves and/or ribs on a printed circuit board are used to help increase these specifications.

### INSULATION CHARACTERISTICS<sup>(3)</sup>

over recommended operating conditions (unless otherwise noted)

PARAMETER		TEST CONDITIONS	SPECIFICATION	UNIT
V <sub>IORM</sub>	Maximum working insulation voltage		560	V <sub>peak</sub>
V <sub>PR</sub>	Input-to-output test voltage	t = 1 s (100% production), partial discharge 5 pC	1050	V <sub>peak</sub>
V <sub>IOTM</sub>	Transient overvoltage	t = 60 s (qualification)	4000	V <sub>peak</sub>
		t = 1 s (100% production)		
V <sub>ISO</sub>	Isolation voltage per UL	t = 60 s (qualification)	2500	V <sub>rms</sub>
		t = 1 s (100% production)	3000	
R <sub>S</sub>	Insulation resistance	V <sub>IO</sub> = 500 V at T <sub>S</sub>	>10 <sup>9</sup>	Ω
	Pollution degree		2	

(3) Climatic Classification 40/125/21

**Table 2. IEC 60664-1 RATINGS TABLE**

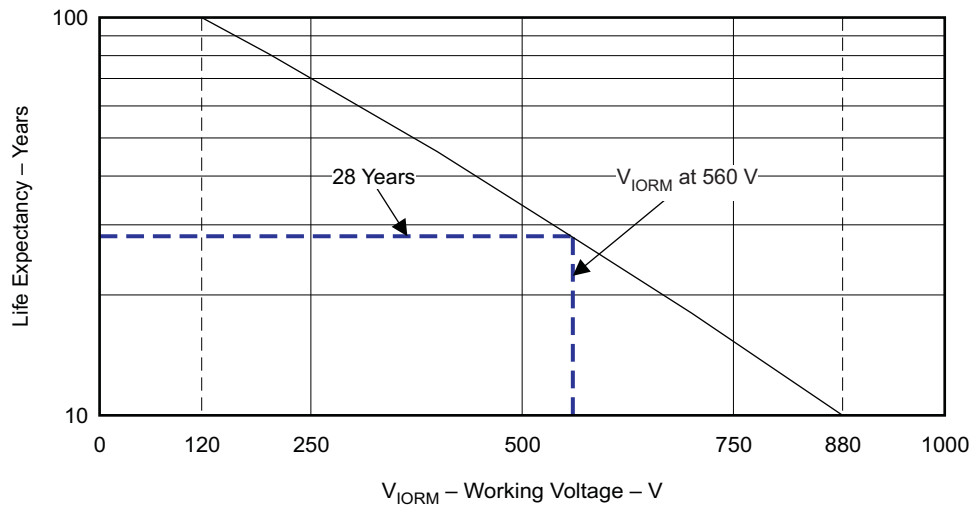
PARAMETER	TEST CONDITIONS	SPECIFICATION
Basic isolation group	Material group	III-a
Installation classification	Rated mains voltage ≤ 150 V <sub>rms</sub>	I–IV
	Rated mains voltage ≤ 300 V <sub>rms</sub>	I–III
	Rated mains voltage ≤ 400 V <sub>rms</sub>	I–II

**REGULATORY INFORMATION**

VDE	CSA	UL
Certified according to IEC 60747-5-2	Approved under CSA Component Acceptance Notice	Recognized under 1577 Component Recognition Program <sup>(1)</sup>
File number: pending (40016131)	File number: pending (1698195)	File number: pending (E181974)

(1) Production tested  $\geq 3000$  Vrms for 1 second in accordance with UL 1577.

**LIFE EXPECTANCY vs WORKING VOLTAGE**



G001

**Figure 4. Life Expectancy vs Working Voltage**

**IEC SAFETY LIMITING VALUES**

Safety limiting intends to prevent potential damage to the isolation barrier upon failure of input or output circuitry. A failure of the I/O can allow low resistance to ground or the supply and, without current limiting, dissipate sufficient power to overheat the die and damage the isolation barrier, potentially leading to secondary system failures.

PARAMETER	TEST CONDITIONS	MIN	TYP	MAX	UNIT
$I_S$ Safety input, output, or supply current	$\theta_{JA} = 212^\circ\text{C/W}$ , $V_I = 5.25$ V, $T_J = 150^\circ\text{C}$ , $T_A = 25^\circ\text{C}$			112	mA
	$\theta_{JA} = 212^\circ\text{C/W}$ , $V_I = 3.45$ V, $T_J = 150^\circ\text{C}$ , $T_A = 25^\circ\text{C}$			171	
$T_S$ Maximum case temperature				150	$^\circ\text{C}$

The safety-limiting constraint is the absolute-maximum junction temperature specified in the *Absolute Maximum Ratings* table. The power dissipation and junction-to-air thermal impedance of the device installed in the application hardware determines the junction temperature. The assumed junction-to-air thermal resistance in the *Thermal Characteristics* table is that of a device installed in the JESD51-3, Low-Effective-Thermal-Conductivity Test Board for Leaded Surface-Mount Packages and is conservative. The power is the recommended maximum input voltage times the current. The junction temperature is then the ambient temperature plus the power times the junction-to-air thermal resistance.

## PACKAGE THERMAL CHARACTERISTICS

(over recommended operating conditions unless otherwise noted)

PARAMETER		TEST CONDITIONS	MIN	TYP	MAX	UNIT
$\theta_{JA}$	Junction-to-air thermal resistance	Low-K thermal resistance <sup>(1)</sup>		212		°C/W
		High-K thermal resistance <sup>(1)</sup>		122		
$\theta_{JB}$	Junction-to-board thermal resistance			37		°C/W
$\theta_{JC}$	Junction-to-case thermal resistance			69.1		°C/W
$P_D$	Device power dissipation	$V_{CC1} = V_{CC2} = 5.5\text{ V}$ , $T_J = 150^\circ\text{C}$ , $C_L = 15\text{ pF}$ , Input a 150-Mbps 50% duty-cycle square wave			390	mW

(1) Tested in accordance with the low-K or high-K thermal metric definitions of EIA/JESD51-3 for leaded surface-mount packages

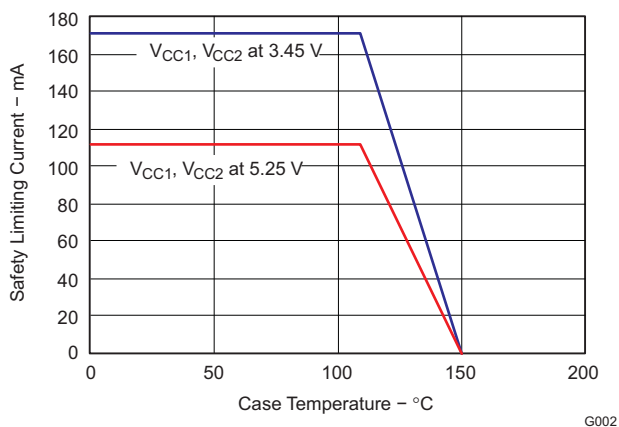


Figure 5.  $\theta_{JC}$  Thermal Derating Curve per IEC 60747-5-2

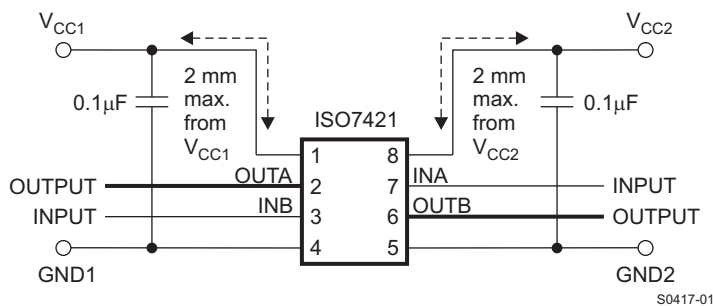


Figure 6. Typical ISO7421 Application Circuit

[查询 ISO7420 供应商](#)

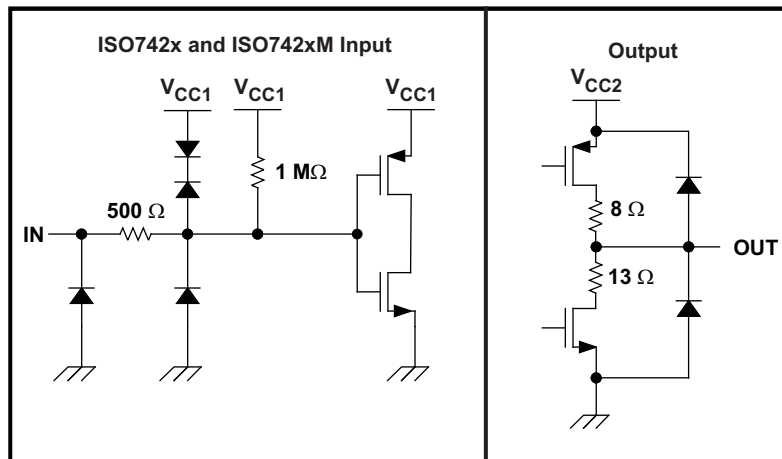


Figure 7. Device I/O Schematics

TYPICAL CHARACTERISTICS

PROPAGATION DELAY TIME  
vs  
FREE-AIR TEMPERATURE

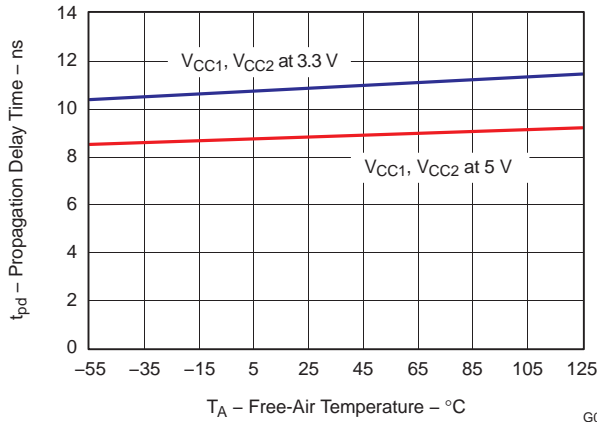


Figure 8.

INPUT VOLTAGE SWITCHING THRESHOLD  
vs  
FREE-AIR TEMPERATURE

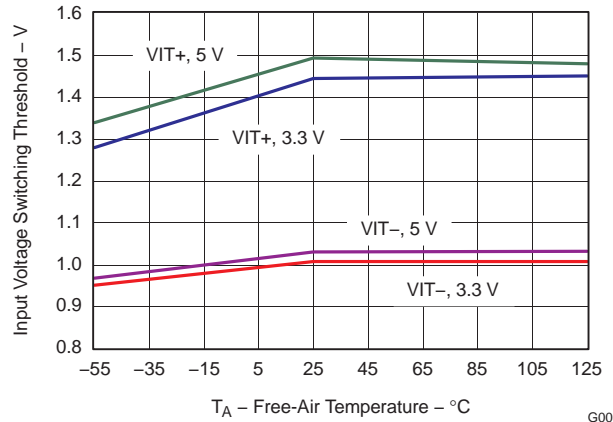


Figure 9.

FAIL-SAFE VOLTAGE THRESHOLD  
vs  
FREE-AIR TEMPERATURE

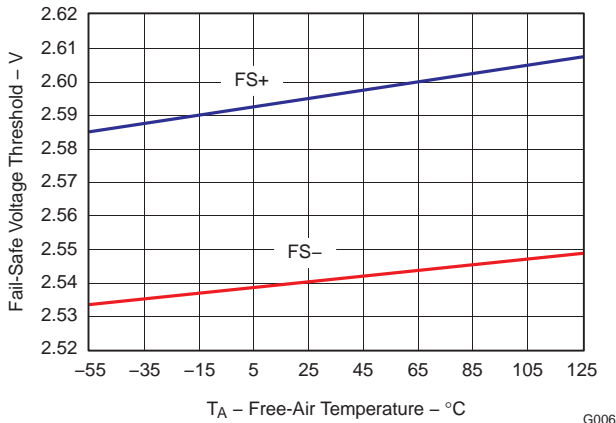


Figure 10.

HIGH-LEVEL OUTPUT CURRENT  
vs  
HIGH-LEVEL OUTPUT VOLTAGE

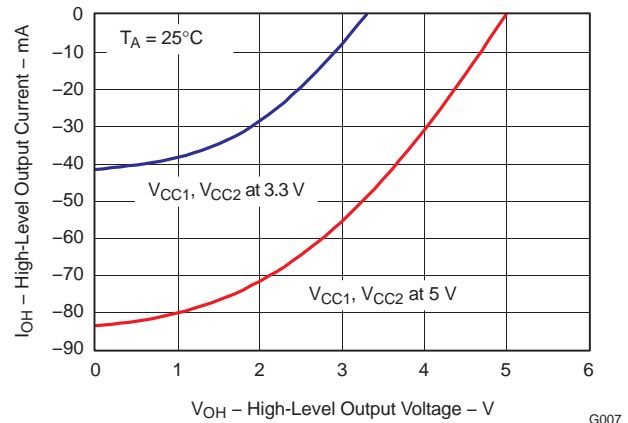


Figure 11.

LOW-LEVEL OUTPUT CURRENT  
vs  
LOW-LEVEL OUTPUT VOLTAGE

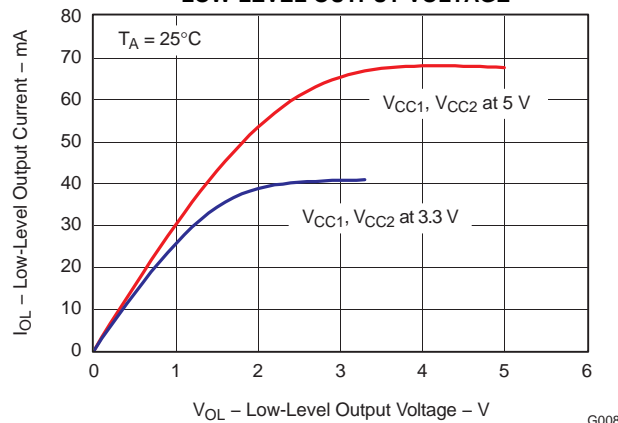


Figure 12.

## REVISION HISTORY

### Changes from Original (June 2009) to Revision A Page

- Added devices ISO7420 and ISO7420M to the data sheet ..... 1
- Added the I<sub>CC</sub> EQUATIONS section ..... 11

### Changes from Revision A (December 2009) to Revision B Page

- Switching Characteristics Table, Added Note (2) - Typical specifications are measured at ideal conditions of 25°C. Max or Min specifications are measured at worst case conditions for V<sub>CC</sub> and temperature. .... 4

### Changes from Revision B (February 2010) to Revision C Page

- Added devices ISO7420F and ISO7420FM to the data sheet ..... 1
- Added The suffix M indicates wide temperature range (–55°C to 125°C) and the suffix F indicates output-low option in fail-safe condition. All other devices without the F suffix default to output-high in fail-safe state. .... 1
- Changed the Function Table Output values for PU (Open) From: H To: H/L ..... 2
- Changed the Function Table Output values for PU (X) From: H To: H/L ..... 2
- Changed the Function Table Output values for PU (X) From: H/L To: H ..... 2
- Added Note (2) in the Function Table ..... 2
- Added ISO7420F and ISO7420FM to the Available Options Table ..... 2
- Changed value from a max of 4 mA to a min of -4 mA ..... 3
- Changed value from a min of -4 mA to a max of 4 mA ..... 3
- Changed Electrical Characteristics Conditions ..... 4
- Deleted C<sub>i</sub> from the ELECTRICAL CHARACTERISTICS ..... 4
- Added (All inputs switching with square wave clock signal for dynamic ICC measurement) ..... 4
- Changed SWITCHING CHARACTERISTICS conditions ..... 4
- Changed PWD parameter from duration to width ..... 4
- Changed ELECTRICAL CHARACTERISTICS conditions ..... 5
- Added High-level output voltage ISO7420 / 7421 (3.3-V side) test condition ..... 5
- Changed High-level output voltage min value ..... 5
- Deleted C<sub>i</sub> specification ..... 5
- Added (All inputs switching with square wave clock signal for dynamic ICC measurement) ..... 5
- Changed SWITCHING CHARACTERISTICS conditions ..... 5
- Changed Pulse duration distortion to Pulse width distortion ..... 5
- Changed ELECTRICAL CHARACTERISTICS conditions ..... 6
- Added High-level output voltage ISO7420 / 7421 (5-V side) test condition ..... 6
- Changed High-level output voltage min value ..... 6
- Deleted C<sub>i</sub> specification ..... 6
- Added (All inputs switching with square wave clock signal for dynamic ICC measurement) ..... 6
- Changed SWITCHING CHARACTERISTICS conditions ..... 6
- Changed Pulse duration distortion to Pulse width distortion ..... 6
- Changed ELECTRICAL CHARACTERISTICS conditions ..... 7
- Deleted C<sub>i</sub> specification ..... 7
- Added (All inputs switching with square wave clock signal for dynamic ICC measurement) ..... 7
- Changed SWITCHING CHARACTERISTICS conditions ..... 7
- Changed Pulse duration distortion to Pulse width distortion ..... 7
- Changed Note 1 [Figure 1](#) ..... 8

• Changed <a href="#">Figure 2</a> .....	8
• Added input to output and note 1 to Isolation resistance, input to output .....	9
• Changed the Isolation resistance test conditions .....	9
• Changed the Isolation resistance test conditions .....	9
• Added note 1 to Barrier capacitance, input to output .....	9
• Added Input capacitance .....	9
• Changed $T_J = 170^\circ\text{C}$ to $T_J = 150^\circ\text{C}$ .....	10
• Changed From: 124mA To: 107mA .....	10
• Changed $T_J = 170^\circ\text{C}$ to $T_J = 150^\circ\text{C}$ .....	10
• Changed From: 190mA To: 164mA .....	10
• Changed <a href="#">Figure 5</a> .....	11
• Changed <a href="#">Figure 7</a> .....	12

**Changes from Revision C (March 2010) to Revision D**
**Page**

• Deleted devices ISO7420F and ISO7420FM from the data sheet .....	1
• Updated the Features List .....	1
• Updated the device Description. Add paragraph - Note: The ISO7420 and ISO7421 .....	1
• Changed the Function Table Output values for PU (Open) From: H/L To: H .....	2
• Changed ISO7420M $T_A$ temp From: -55 to 125 To: 40 to 125 in the Available Options Table .....	2
• Added Tstg to the Absolute Maximum Ratings Table .....	3
• Updated the Recommended Operating Conditions Table .....	3
• Updates throughout the Electrical Characteristics and Switching Characteristics tables .....	4
• Updated the Supply Current test conditions .....	4
• Changed <a href="#">Figure 2</a> .....	8
• Changed Note 1 in <a href="#">Figure 3</a> .....	8
• Changed Minimum internal gap MIN value From: 0.008 To: 0.014mm .....	9
• Changed the Barrier capacitance, input to output test conditions .....	9
• Changed the Input capacitance test conditions .....	9
• Changed the $V_{IORM}$ , $V_{PR}$ , and $V_{IOTM}$ unit values From: V To: Vpeak .....	9
• Changed $V_I$ From: 5.5V To: 5.25V .....	10
• Changed From: 107mA To: 112mA .....	10
• Changed $V_I$ From: 3.6V To: 3.45V .....	10
• Changed From: 164mA To: 171mA .....	10
• Changed <a href="#">Figure 5</a> .....	11
• Deleted the $I_{CC}$ EQUATIONS section .....	11
• Changed <a href="#">Figure 7</a> .....	12
• Deleted the SUPPLY CURRENT vs SIGNAL RATE (ALL CHANNELS) graphs and the EYE DIAGRAM plots .....	13

**PACKAGING INFORMATION**

Orderable Device	Status <sup>(1)</sup>	Package Type	Package Drawing	Pins	Package Qty	Eco Plan <sup>(2)</sup>	Lead/Ball Finish	MSL Peak Temp <sup>(3)</sup>
ISO7420D	ACTIVE	SOIC	D	8	75	Green (RoHS & no Sb/Br)	CU NIPDAU	Level-1-260C-UNLIM
ISO7420DR	ACTIVE	SOIC	D	8	2500	Green (RoHS & no Sb/Br)	CU NIPDAU	Level-1-260C-UNLIM
ISO7420MD	ACTIVE	SOIC	D	8	75	Green (RoHS & no Sb/Br)	CU NIPDAU	Level-1-260C-UNLIM
ISO7420MDR	ACTIVE	SOIC	D	8	2500	Green (RoHS & no Sb/Br)	CU NIPDAU	Level-1-260C-UNLIM
ISO7421D	ACTIVE	SOIC	D	8	75	Green (RoHS & no Sb/Br)	CU NIPDAU	Level-1-260C-UNLIM
ISO7421DR	ACTIVE	SOIC	D	8	2500	Green (RoHS & no Sb/Br)	CU NIPDAU	Level-1-260C-UNLIM
ISO7421MD	PREVIEW	SOIC	D	8	75	TBD	Call TI	Call TI
ISO7421MDR	PREVIEW	SOIC	D	8	2500	TBD	Call TI	Call TI

<sup>(1)</sup> The marketing status values are defined as follows:

**ACTIVE:** Product device recommended for new designs.

**LIFEBUY:** TI has announced that the device will be discontinued, and a lifetime-buy period is in effect.

**NRND:** Not recommended for new designs. Device is in production to support existing customers, but TI does not recommend using this part in a new design.

**PREVIEW:** Device has been announced but is not in production. Samples may or may not be available.

**OBSOLETE:** TI has discontinued the production of the device.

<sup>(2)</sup> Eco Plan - The planned eco-friendly classification: Pb-Free (RoHS), Pb-Free (RoHS Exempt), or Green (RoHS & no Sb/Br) - please check <http://www.ti.com/productcontent> for the latest availability information and additional product content details.

**TBD:** The Pb-Free/Green conversion plan has not been defined.

**Pb-Free (RoHS):** TI's terms "Lead-Free" or "Pb-Free" mean semiconductor products that are compatible with the current RoHS requirements for all 6 substances, including the requirement that lead not exceed 0.1% by weight in homogeneous materials. Where designed to be soldered at high temperatures, TI Pb-Free products are suitable for use in specified lead-free processes.

**Pb-Free (RoHS Exempt):** This component has a RoHS exemption for either 1) lead-based flip-chip solder bumps used between the die and package, or 2) lead-based die adhesive used between the die and leadframe. The component is otherwise considered Pb-Free (RoHS compatible) as defined above.

**Green (RoHS & no Sb/Br):** TI defines "Green" to mean Pb-Free (RoHS compatible), and free of Bromine (Br) and Antimony (Sb) based flame retardants (Br or Sb do not exceed 0.1% by weight in homogeneous material)

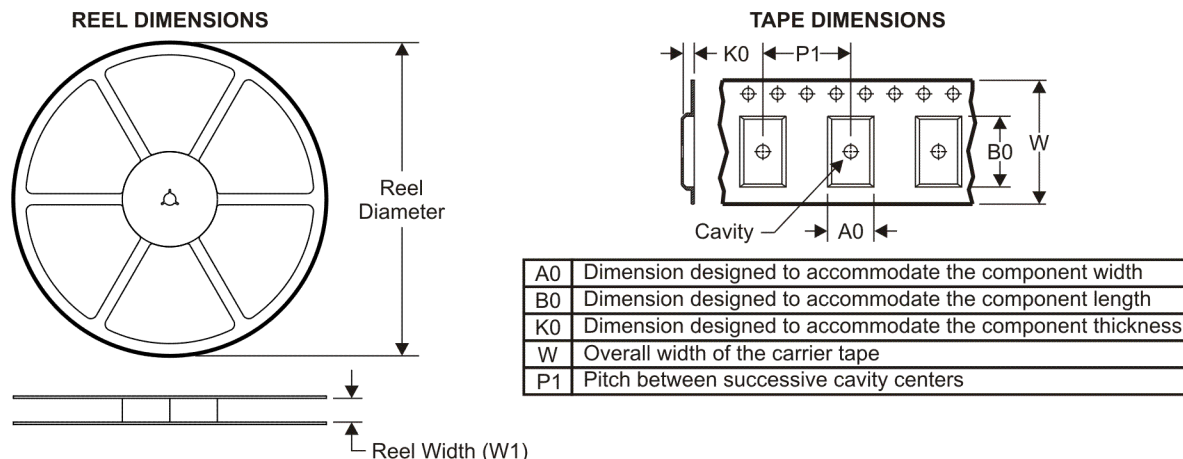
<sup>(3)</sup> MSL, Peak Temp. -- The Moisture Sensitivity Level rating according to the JEDEC industry standard classifications, and peak solder temperature.

**Important Information and Disclaimer:**The information provided on this page represents TI's knowledge and belief as of the date that it is provided. TI bases its knowledge and belief on information provided by third parties, and makes no representation or warranty as to the accuracy of such information. Efforts are underway to better integrate information from third parties. TI has taken and continues to take reasonable steps to provide representative and accurate information but may not have conducted destructive testing or chemical analysis on incoming materials and chemicals. TI and TI suppliers consider certain information to be proprietary, and thus CAS numbers and other limited information may not be available for release.

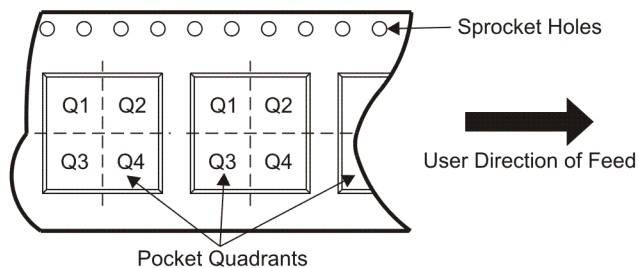
In no event shall TI's liability arising out of such information exceed the total purchase price of the TI part(s) at issue in this document sold by TI to Customer on an annual basis.



TAPE AND REEL INFORMATION



QUADRANT ASSIGNMENTS FOR PIN 1 ORIENTATION IN TAPE



\*All dimensions are nominal

Device	Package Type	Package Drawing	Pins	SPQ	Reel Diameter (mm)	Reel Width W1 (mm)	A0 (mm)	B0 (mm)	K0 (mm)	P1 (mm)	W (mm)	Pin1 Quadrant
ISO7420DR	SOIC	D	8	2500	330.0	12.4	6.4	5.2	2.1	8.0	12.0	Q1
ISO7420MDR	SOIC	D	8	2500	330.0	12.4	6.4	5.2	2.1	8.0	12.0	Q1
ISO7421DR	SOIC	D	8	2500	330.0	12.4	6.4	5.2	2.1	8.0	12.0	Q1

**TAPE AND REEL BOX DIMENSIONS**

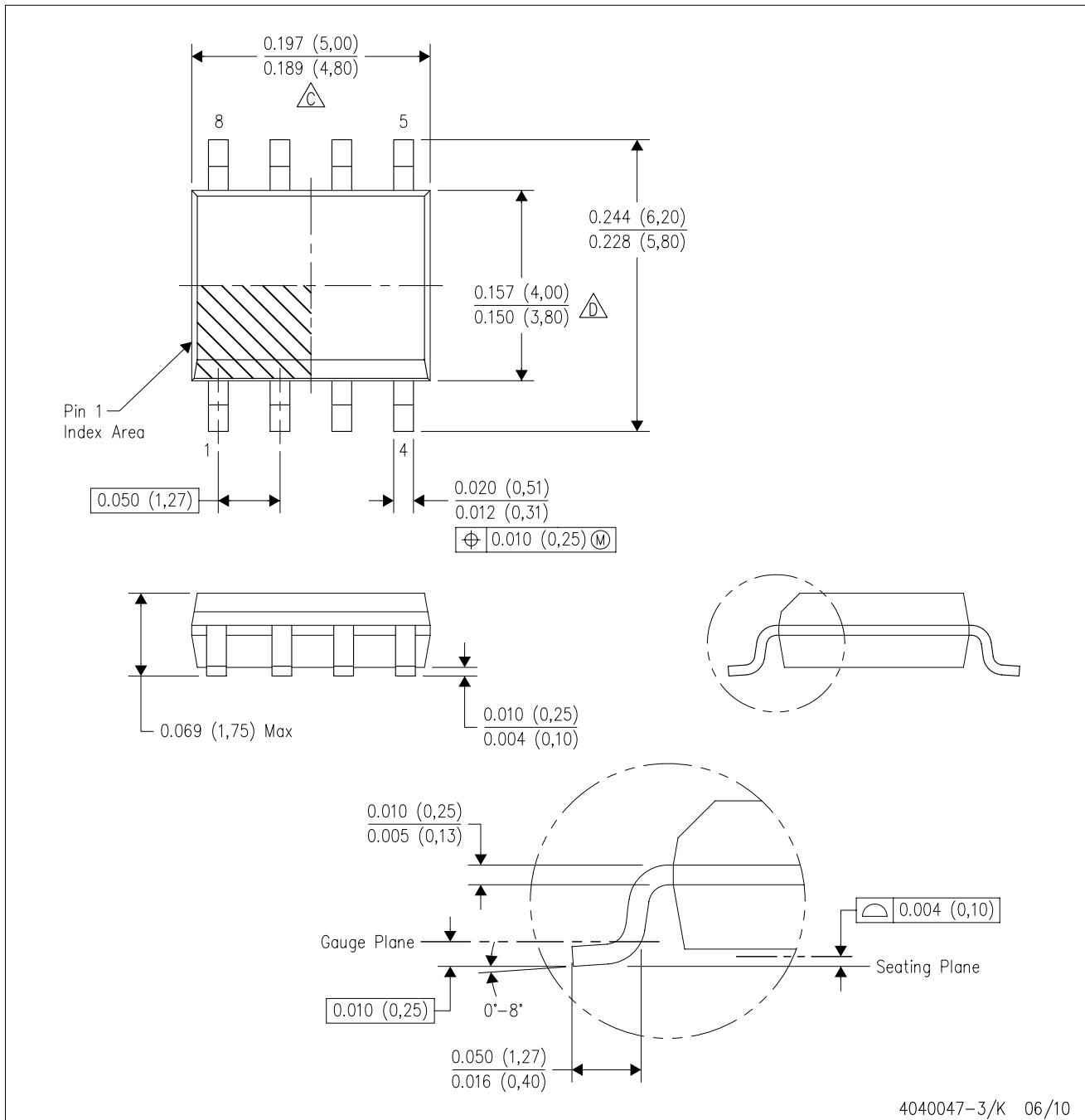


\*All dimensions are nominal

Device	Package Type	Package Drawing	Pins	SPQ	Length (mm)	Width (mm)	Height (mm)
ISO7420DR	SOIC	D	8	2500	358.0	335.0	35.0
ISO7420MDR	SOIC	D	8	2500	358.0	335.0	35.0
ISO7421DR	SOIC	D	8	2500	358.0	335.0	35.0

D (R-PDSO-G8)

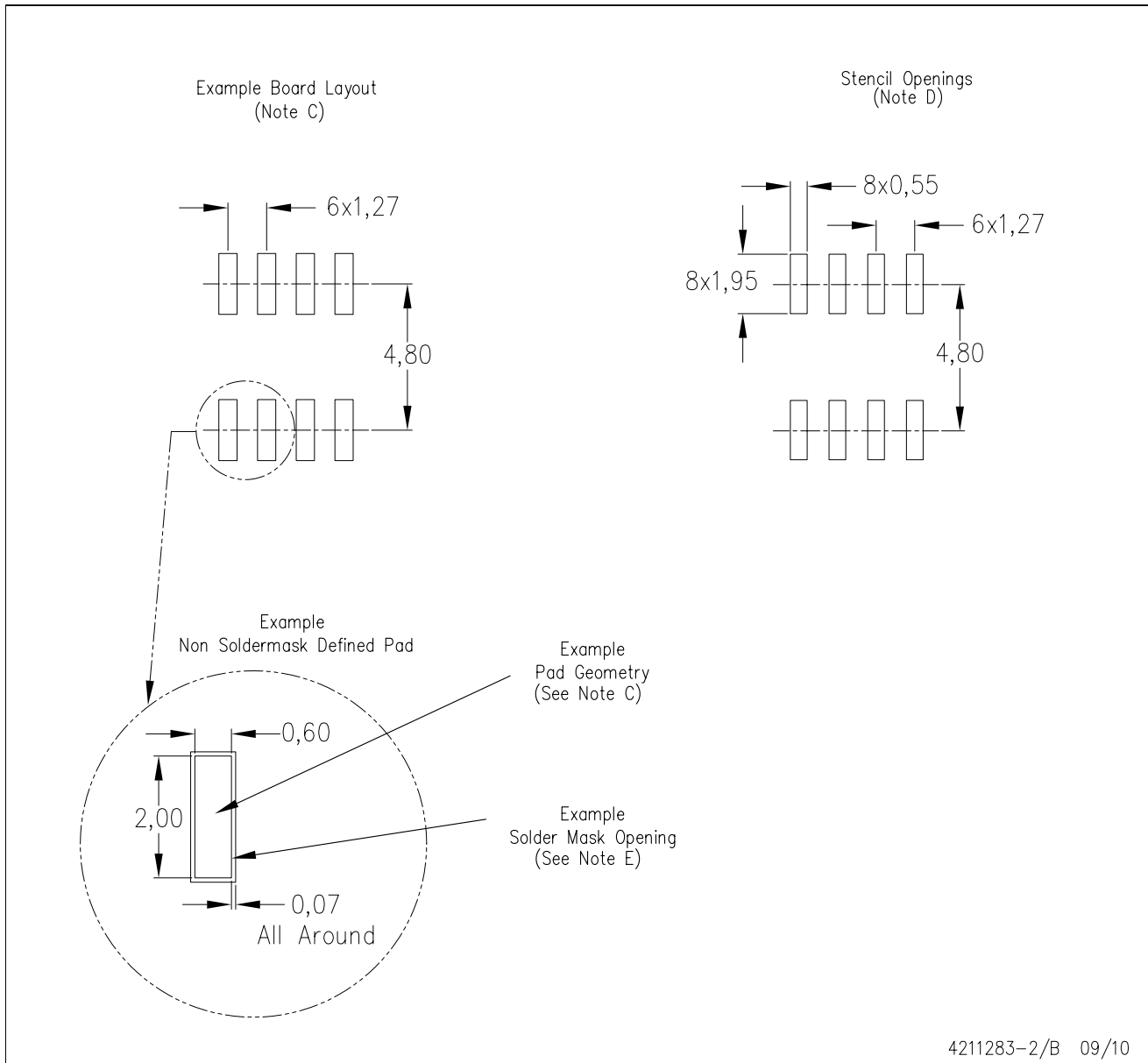
PLASTIC SMALL-OUTLINE PACKAGE



- NOTES:
- All linear dimensions are in inches (millimeters).
  - This drawing is subject to change without notice.
  - △ C Body length does not include mold flash, protrusions, or gate burrs. Mold flash, protrusions, or gate burrs shall not exceed .006 (0,15) per end.
  - △ D Body width does not include interlead flash. Interlead flash shall not exceed .017 (0,43) per side.
  - Reference JEDEC MS-012 variation AA.

D (R-PDSO-G8)

PLASTIC SMALL OUTLINE



- NOTES:
- All linear dimensions are in millimeters.
  - This drawing is subject to change without notice.
  - Publication IPC-7351 is recommended for alternate designs.
  - Laser cutting apertures with trapezoidal walls and also rounding corners will offer better paste release. Customers should contact their board assembly site for stencil design recommendations. Refer to IPC-7525 for other stencil recommendations.
  - Customers should contact their board fabrication site for solder mask tolerances between and around signal pads.

## IMPORTANT NOTICE

Texas Instruments Incorporated and its subsidiaries (TI) reserve the right to make corrections, modifications, enhancements, improvements, and other changes to its products and services at any time and to discontinue any product or service without notice. Customers should obtain the latest relevant information before placing orders and should verify that such information is current and complete. All products are sold subject to TI's terms and conditions of sale supplied at the time of order acknowledgment.

TI warrants performance of its hardware products to the specifications applicable at the time of sale in accordance with TI's standard warranty. Testing and other quality control techniques are used to the extent TI deems necessary to support this warranty. Except where mandated by government requirements, testing of all parameters of each product is not necessarily performed.

TI assumes no liability for applications assistance or customer product design. Customers are responsible for their products and applications using TI components. To minimize the risks associated with customer products and applications, customers should provide adequate design and operating safeguards.

TI does not warrant or represent that any license, either express or implied, is granted under any TI patent right, copyright, mask work right, or other TI intellectual property right relating to any combination, machine, or process in which TI products or services are used. Information published by TI regarding third-party products or services does not constitute a license from TI to use such products or services or a warranty or endorsement thereof. Use of such information may require a license from a third party under the patents or other intellectual property of the third party, or a license from TI under the patents or other intellectual property of TI.

Reproduction of TI information in TI data books or data sheets is permissible only if reproduction is without alteration and is accompanied by all associated warranties, conditions, limitations, and notices. Reproduction of this information with alteration is an unfair and deceptive business practice. TI is not responsible or liable for such altered documentation. Information of third parties may be subject to additional restrictions.

Resale of TI products or services with statements different from or beyond the parameters stated by TI for that product or service voids all express and any implied warranties for the associated TI product or service and is an unfair and deceptive business practice. TI is not responsible or liable for any such statements.

TI products are not authorized for use in safety-critical applications (such as life support) where a failure of the TI product would reasonably be expected to cause severe personal injury or death, unless officers of the parties have executed an agreement specifically governing such use. Buyers represent that they have all necessary expertise in the safety and regulatory ramifications of their applications, and acknowledge and agree that they are solely responsible for all legal, regulatory and safety-related requirements concerning their products and any use of TI products in such safety-critical applications, notwithstanding any applications-related information or support that may be provided by TI. Further, Buyers must fully indemnify TI and its representatives against any damages arising out of the use of TI products in such safety-critical applications.

TI products are neither designed nor intended for use in military/aerospace applications or environments unless the TI products are specifically designated by TI as military-grade or "enhanced plastic." Only products designated by TI as military-grade meet military specifications. Buyers acknowledge and agree that any such use of TI products which TI has not designated as military-grade is solely at the Buyer's risk, and that they are solely responsible for compliance with all legal and regulatory requirements in connection with such use.

TI products are neither designed nor intended for use in automotive applications or environments unless the specific TI products are designated by TI as compliant with ISO/TS 16949 requirements. Buyers acknowledge and agree that, if they use any non-designated products in automotive applications, TI will not be responsible for any failure to meet such requirements.

Following are URLs where you can obtain information on other Texas Instruments products and application solutions:

<b>Products</b>		<b>Applications</b>	
Amplifiers	<a href="http://amplifier.ti.com">amplifier.ti.com</a>	Audio	<a href="http://www.ti.com/audio">www.ti.com/audio</a>
Data Converters	<a href="http://dataconverter.ti.com">dataconverter.ti.com</a>	Automotive	<a href="http://www.ti.com/automotive">www.ti.com/automotive</a>
DLP® Products	<a href="http://www.dlp.com">www.dlp.com</a>	Communications and Telecom	<a href="http://www.ti.com/communications">www.ti.com/communications</a>
DSP	<a href="http://dsp.ti.com">dsp.ti.com</a>	Computers and Peripherals	<a href="http://www.ti.com/computers">www.ti.com/computers</a>
Clocks and Timers	<a href="http://www.ti.com/clocks">www.ti.com/clocks</a>	Consumer Electronics	<a href="http://www.ti.com/consumer-apps">www.ti.com/consumer-apps</a>
Interface	<a href="http://interface.ti.com">interface.ti.com</a>	Energy	<a href="http://www.ti.com/energy">www.ti.com/energy</a>
Logic	<a href="http://logic.ti.com">logic.ti.com</a>	Industrial	<a href="http://www.ti.com/industrial">www.ti.com/industrial</a>
Power Mgmt	<a href="http://power.ti.com">power.ti.com</a>	Medical	<a href="http://www.ti.com/medical">www.ti.com/medical</a>
Microcontrollers	<a href="http://microcontroller.ti.com">microcontroller.ti.com</a>	Security	<a href="http://www.ti.com/security">www.ti.com/security</a>
RFID	<a href="http://www.ti-rfid.com">www.ti-rfid.com</a>	Space, Avionics & Defense	<a href="http://www.ti.com/space-avionics-defense">www.ti.com/space-avionics-defense</a>
RF/IF and ZigBee® Solutions	<a href="http://www.ti.com/lprf">www.ti.com/lprf</a>	Video and Imaging	<a href="http://www.ti.com/video">www.ti.com/video</a>
		Wireless	<a href="http://www.ti.com/wireless-apps">www.ti.com/wireless-apps</a>