

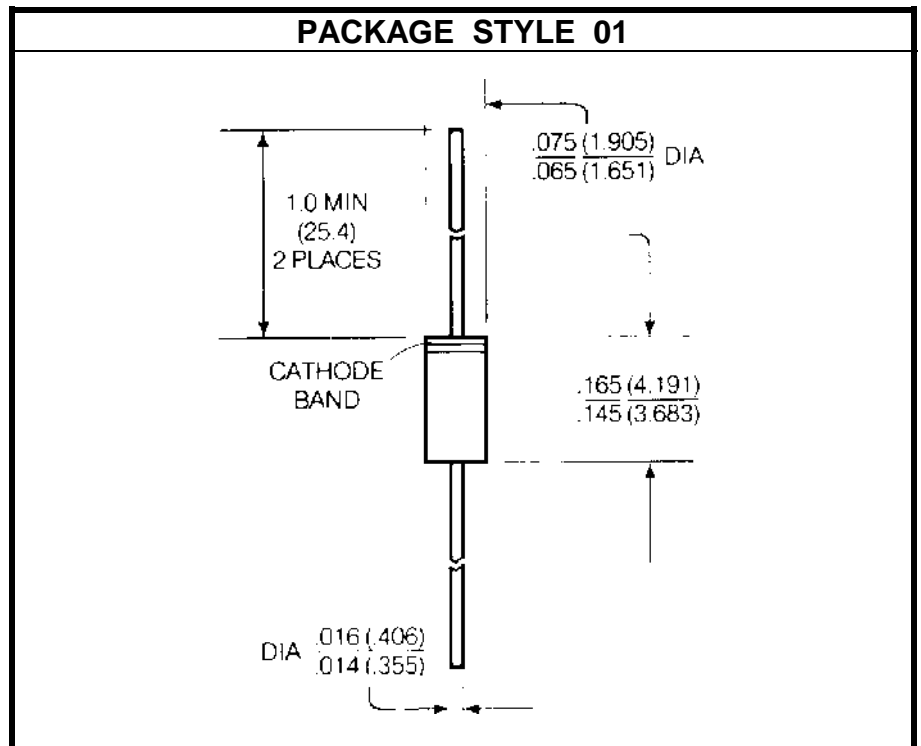
SCHOTTKY BARRIER DIODE

DESCRIPTION:

The **ASI 5082-2755** is a Silicon Small Signal Schottky Diode Designed for UHF/VHF Mixers, and Video Detector Applications. Color Band Indicates Cathode.

MAXIMUM RATINGS

I	10 mA
V	4.0 V
P_{DISS}	100 mW @ T _A = 25 °C
T_J	-60 °C to +150 °C
T_{STG}	-60 °C to +150 °C
T_{SOLD}	t = 5.0 Sec. +260 °C



CHARACTERISTICS T_C = 25 °C

SYMBOL	TEST CONDITIONS	MINIMUM	TYPICAL	MAXIMUM	UNITS
V_R	I _R = 10 μA	4.0			V
C_{J0}	V _R = 0 V		1.0		pF
T_{SS}				-55	dBm
R_V	P = -40 dBm R _L = 100 KΩ f = 10 GHz	1.2		1.6	KΩ
γ	P = -40 dBm R _L = 100 KΩ f = 10 GHz	5.0			mV/μW